

Network 8

8 Line Exchange Unit

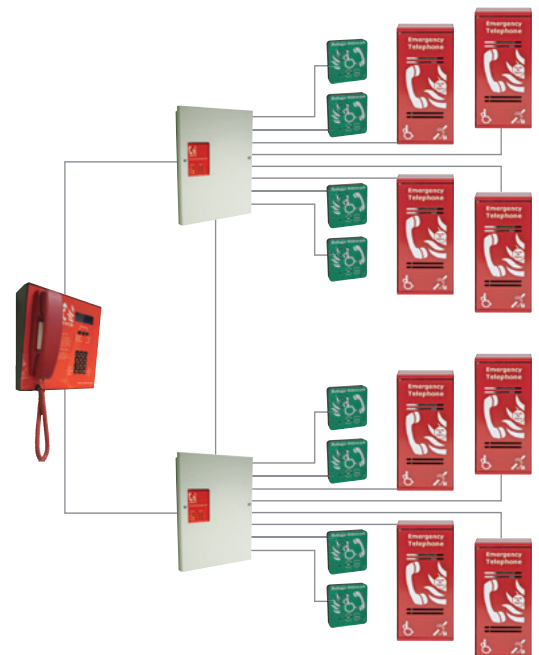
The Network Exchange Unit delivers an efficient solution to larger EVCS sites with distributed loop based architecture.

EVCS Network 8 is a system for larger Disabled Refuge and Emergency telephone installations. Its distributed loop architecture provides a competitive scalable system for up to 256 communication points.

The Network Exchange Unit provides connectivity for 8 call stations. Larger systems are achieved by adding more Exchange Units each installed locally to the area of operation delivering a secure and cost effective installation.



DIMENSIONS	
Height	268 mm
Width	210 mm
Depth	82 mm
Weight	1.6 kg
INDICATION AND CONTROLS	
Fault LEDs	10 off yellow (General, PSU, 8 lines)
Status LEDs	2 off green (AC & DC)
Settings	8 way DIP switch
OUTSTATION CABLES	
Cable (per line)	1 off 2 core (twisted for MICC)
Distance (per leg)	500M soft Skin types, 300M MICC
Monitoring	DC open, short & earth
NETWORK CABLES	
Cores	1 off four Pair or 2 off four core 1 mm CSA Soft Skin or 4 off 1 Pair MICC Twisted
Distance	500 M soft Skin, 300 M MICC



KEY FEATURES

- Modular scalable system architecture for efficient installation
- Loop based network for fault resilience
- Up to 160 outstations via 20 Network Exchange units with V4.21 software
- Up to 256 Outstations via 32 Network Exchange Units with V5.0 software
- Output relay to control external equipment such as VA/PA
- Built in power supply and battery back-up
- Power supply for System Master Handsets
- Global configuration from Master Handset
- Compact wall mounted unit
- Full duplex communications with Outstations

STANDARDS COMPLIANCE

EMC	EN55103-1, EN55103-2
LVD	EN61000-3-2, EN61000-3-3, EN60950
Product Family	BS5839-pt9, BS9999, EN54-4

ELECTRICAL SPECIFICATION

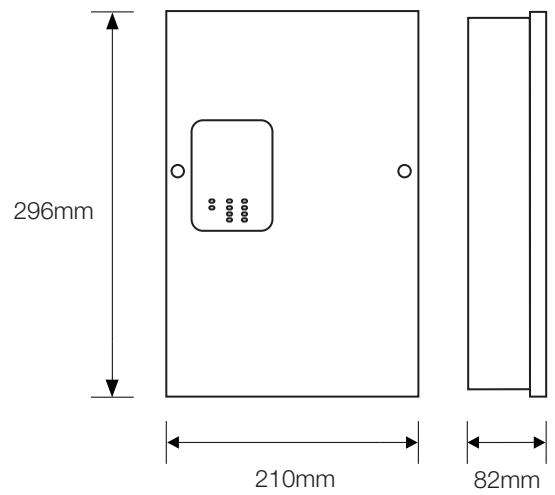
Power Supply:	
Voltage	230V AC \pm 20%
Current	11mA
Charger	1A Controlled Impedance
Charger	Open, short & High impedance cell

ORDER CODES

Model:	Description:
EVCS-XC	8 Way Exchange Unit/Charger, including 1 x 5Ah 12V battery

SYSTEM COMPONENTS

EVCS-MS	Master Handset (Desk)
EVCS-HFP	Flush Outstation Push Door, Type A
EVCS-HSP	Surface Station Push Door, Type A
EVCS-HSB	Surface Outstation Type B, Red
EVCS-HSBG	Surface Outstation Type B, Green
EVCS-SFSS	Surface Outstation Type B, Stainless Steel
VCFHB	Flush Mounting Bezel Type B, Stainless Steel
EVCS-HLJ	Loose Handset With Jack Lead
EVCS-WJP	Wall Jack Outlet Point
EVCS-TA	Emergency Assist Alarm Network Version- PSU not included

**Honeywell**

Tel: +44 (0) 116 246 2000
Fax: +44 (0) 116 246 2300
Email: hlsuksalesupport@honeywell.com
140 Waterside Road
Hamilton Industrial Park
Leicester
LE5 1TN

October 2017
© 2017 Honeywell International Inc.

Honeywell