

Roaming Handset & Jack Plate

The Roaming Handset and Jack plate are designed to provide a cost effective solution for Fire Telephones in high rise buildings.

Honeywell EVCS systems cover a wide range of building sizes providing high quality full duplex Emergency Voice Communication. For larger systems the Network 8 is ideally suited and the Roaming Handset and Jack Plate are an efficient way to provide a network Fire telephone system communication points.

The Roaming Handset is used along with the Jack Plate for Emergency Voice Communication System installations in countries whose fire codes allow for Roaming Handsets*. When used together the Roaming Handset and Jack Plate form a Type A Outstation which is compatible with all EVCS systems.



JACK PLATE TECHNICAL SPECIFICATION

Cables:

Cores	2 core 1 mm or 1.5 mm
Distance	500 m
Monitoring 10K 1/4 w	dc open, short and earth

Physical:

Construction	Brushed Stainless Steel
Dimensions (H x W x D)	86 mm x 86 mm x 25 mm
Weight	140 g

ROAMING HANDSET TECHNICAL SPECIFICATION

Standards EMC	EN55103-1 & EN55103-2 LVD: EN60950
---------------	------------------------------------

Controls:

Call	Automatic "Off Hook" dialing
------	------------------------------

Connection

Jack	1/4" mono neutrik heavy duty
------	------------------------------

Physical:

Construction	ABS UL90V1
Dimensions (H x W x D)	210 mm x 66 mm x 45 mm
Weight	700 g

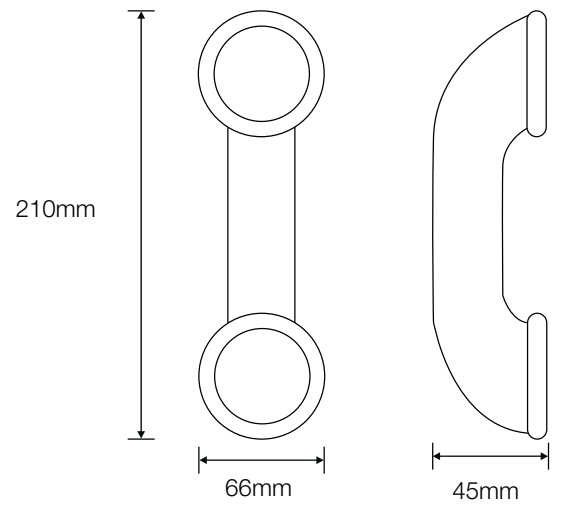
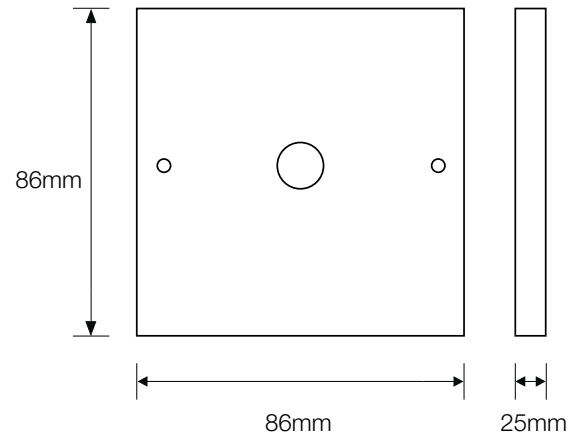
KEY FEATURES

- Flexible roaming phone
- Low noise high quality telephone jack
- Telecoil for hearing impaired users
- Full duplex operation
- Stainless steel jack plate
- The Jack Plate can be surface or flush mounted
- Full duplex operation, allowing 2 way voice communication

**These units are not suitable for installation in the UK to BS5839 Pt9*

ORDER CODES

Model:	Description:
EVCS-HLJ	Loose Handset With Jack Lead
EVCS-WJP	Wall Jack Outlet Point

**Honeywell**

Tel: +44 (0) 116 246 2000

Fax: +44 (0) 116 246 2300

Email: hlsuksalesupport@honeywell.com

140 Waterside Road

Hamilton Industrial Park

Leicester

LE5 1TN

October 2015
© 2015 Honeywell International Inc.

Honeywell