

Emergency Assist Alarm

Stand Alone Kit

The Emergency Assist Alarm Stand Alone Kit provides the perfect solution for conformity with the Building Regulations Document M and Equality Act 2010.

This is a simple 2 wire system that has been specifically designed to meet the needs of disabled service users and conforms to all the relevant requirements; Disability Rights Commission code of practice, English Tourism Council Recommendations and RNIB signage guidelines.

The use of combined high output blue LED indication and buzzer ensures a response to the call. The Emergency Assist Alarm Stand Alone Kit comprises of all the components needed to install a fully compliant system, with additional parts available separately.



POWER SUPPLY UNIT SPECIFICATION	
Dimensions:	
Width	146 mm
Height	86 mm
Depth	39 mm
Electrical Specification:	
Mains	230V ac +10% -15%
Output	12V dc (nominal)
Physical:	
Construction	Flame retardant Polycarbonate
OVER DOOR INDICATOR SPECIFICATION	
Dimensions:	
Width	87 mm
Height	87 mm
Depth	31.5 mm
Electrical Specification:	
Operating Voltage	12V dc (nominal)
Physical:	
Construction	Flame retardant Polycarbonate

KEY FEATURES

- Complies with regulations & recommendations
- Dual loop pull cord
- High contrast labels
- Blue indication
- Quick and simple installation, with limited cabling requirements
- High contrast printing for increased visibility
- Tactile braille signage to assist partially sighted people to easily operate the cancel plate

CANCEL BUTTON SPECIFICATION

Dimensions:

Width	87 mm
Height	87 mm
Depth	25 mm

Electrical Specification:

Operating Voltage	12V dc (nominal)
-------------------	------------------

Physical:

Construction	Flame retardant Polycarbonate
--------------	-------------------------------

PULL CORD UNIT SPECIFICATION

Dimensions:

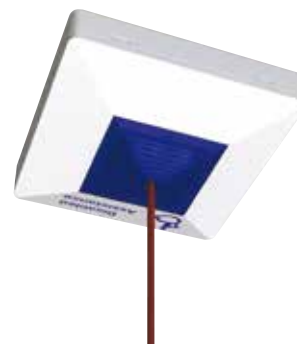
Width	87 mm
Height	87 mm
Depth	30.5 mm

Electrical Specification:

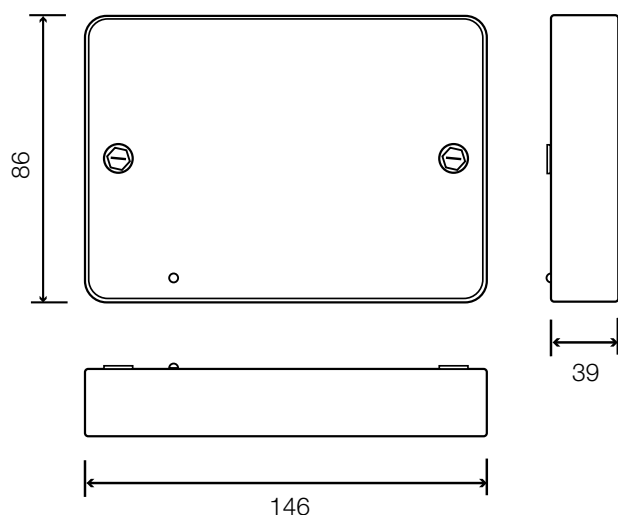
Operating Voltage	12V dc (nominal)
-------------------	------------------

Physical:

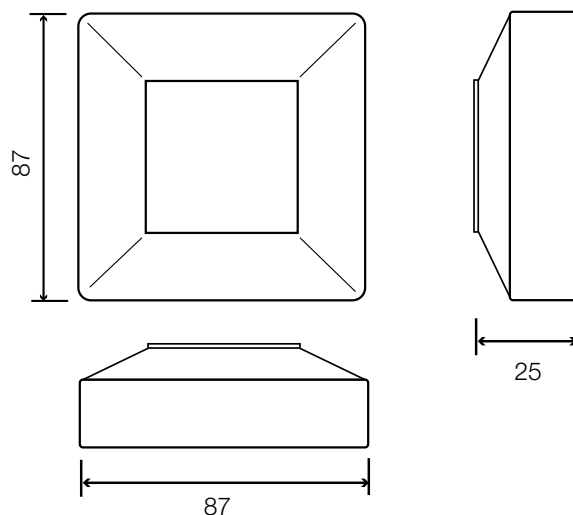
Construction	Flame retardant Polycarbonate
--------------	-------------------------------



POWER SUPPLY UNIT



CANCEL BUTTON



ORDER CODES

Model:	Description:
EVCS-TAP	Emergency Assist Alarm Stand Alone Kit- Supplied with PSU (1x Power Supply Unit, 1x Over Door Indicator, 1x Cancel Button, 1x Pull Cord Unit, 1x Disabled Sticker)
EVCS-TA	Emergency Assist Alarm Network Version- PSU not included (1x Over Door Indicator, 1x Cancel Button, 1x Pull Cord Unit, 1x Disabled Sticker)

Honeywell

Tel: +44 (0) 116 246 2000
 Fax: +44 (0) 116 246 2300
 Email: hlsuksalesupport@honeywell.com
 140 Waterside Road
 Hamilton Industrial Park
 Leicester
 LE5 1TN

October 2015
 © 2015 Honeywell International Inc.

Honeywell