

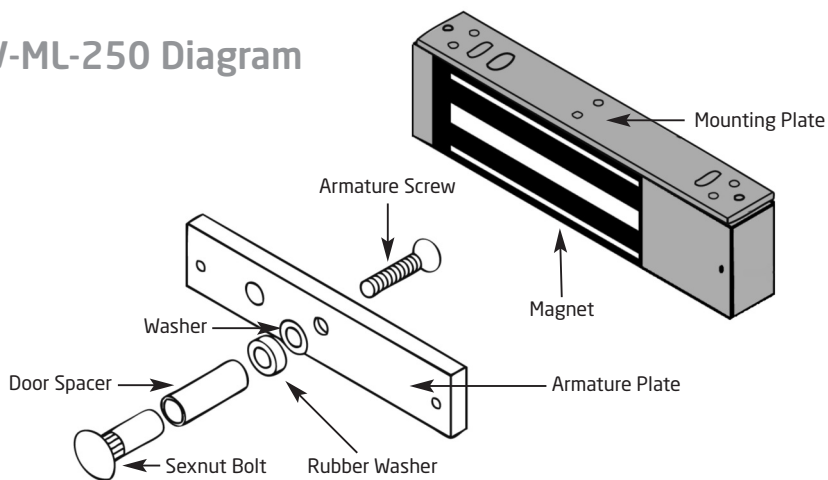
EV-ML-250

250KG MAGNETIC LOCK INSTRUCTIONS



www.espuk.com

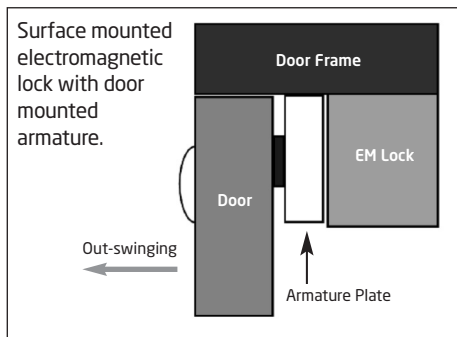
EV-ML-250 Diagram



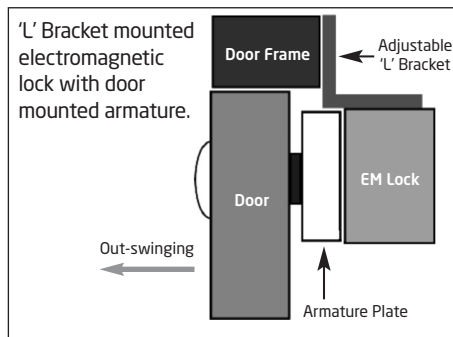
Mounting Configurations

Please identify the type of installation required, for example; which way the door will swing. Refer to the installation diagrams for the **electro magnetic lock & armature** to complete the install.

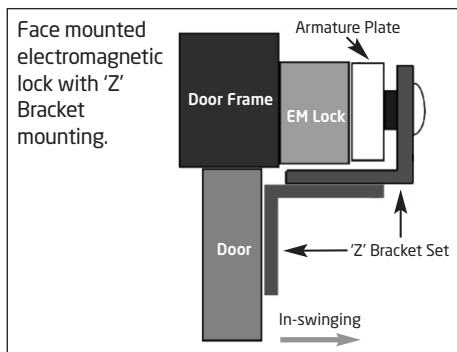
Standard mounting



'L' Bracket mounting

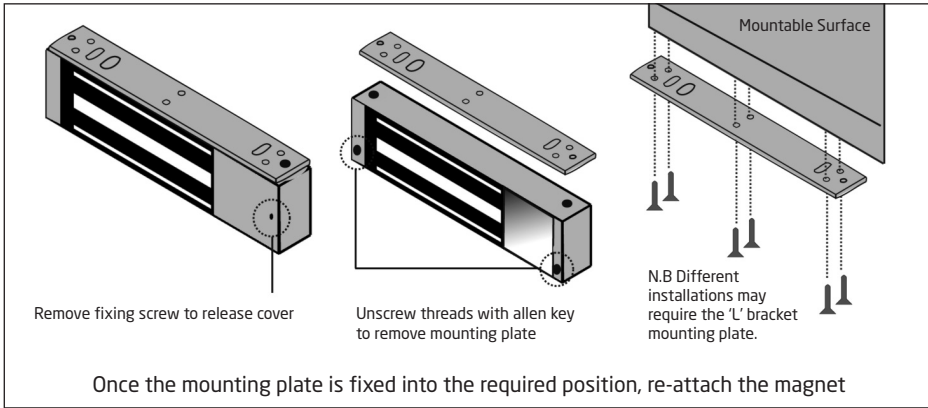


'Z' Bracket mounting

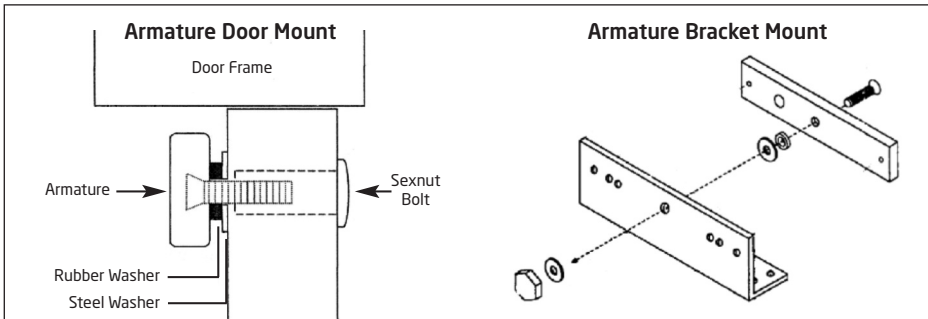


Installation Instructions

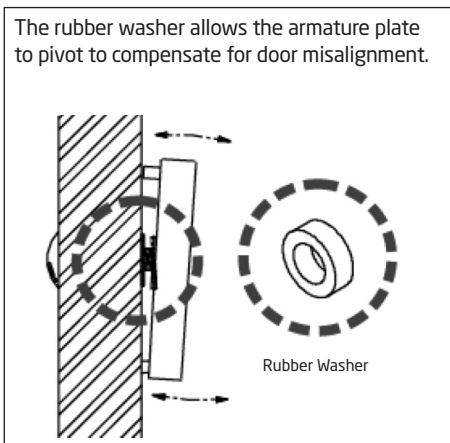
Removal of the Mounting Plate/Installation of electromagnetic lock



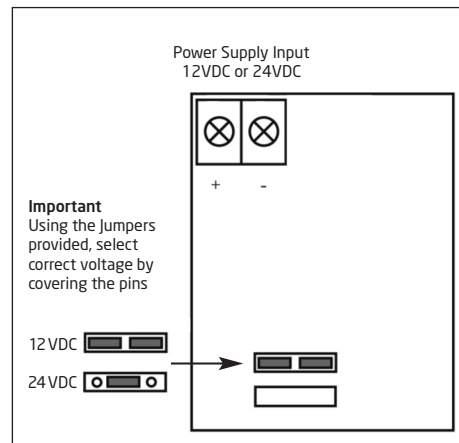
Armature installation



Rubber washer installation



Wiring configuration



Technical Specifications

Holding Force	250kg/550lbs max
Housing	Stainless Steel
Dual Voltage	12 & 24 VDC
Current Drawn	420mA @ 12VDC 240mA @ 24VDC
Safety Approval	CE
Magnet Dimension	250 x 42 x 25 mm
Armature Dimension	180 x 38 x 10 mm