

Features

- Version Changeable
- The electric strike can be used automatically and manually
- CSIRO Fire-resistance Certificate
- Long life solenoids
- 2000 LBS jaw strength pull testing



ER310S



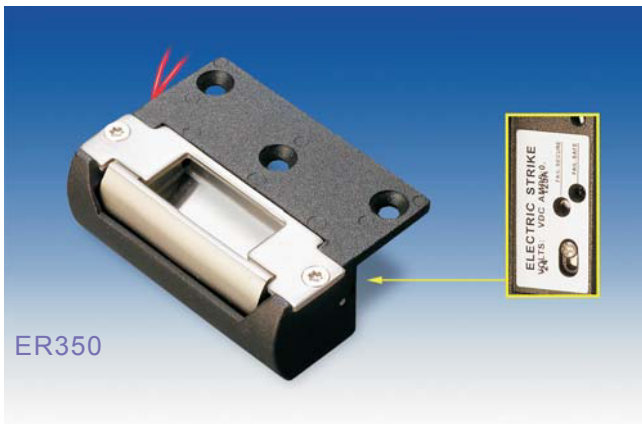
ER310MS



ER310L



ER310ML

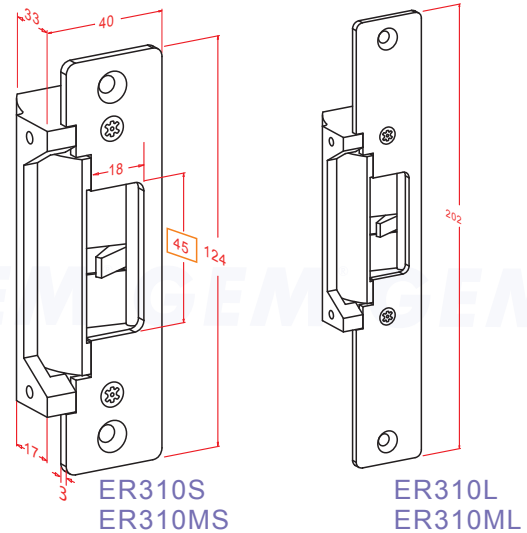


ER350

Statement

The ER310 series electric strikes (ANSI-sized) are designed for used with lockset (ex. spring latch), having up to 12 mm keeper depth for in-swinging doors. The units are design for using with most hollow metal frames and aluminum frames. Stainless steel plate ensures strength and long life.

Dimension



Patents

- ZL 99 2 48179.1 (China)
- US 6299225 B1 (U.S.A.)
- GB2355753 (UK)
- 166716 (Taiwan)

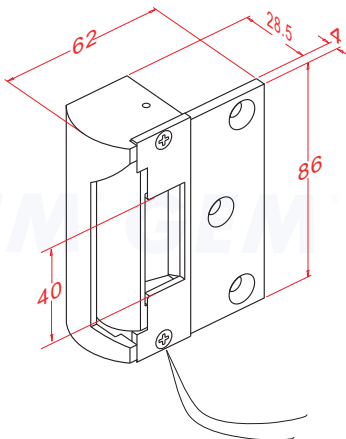


The products are manufactured under an ISO 9001 & QC 080000 Certified Quality Management Program environment back its product quality, performance and commitment to customer satisfaction.

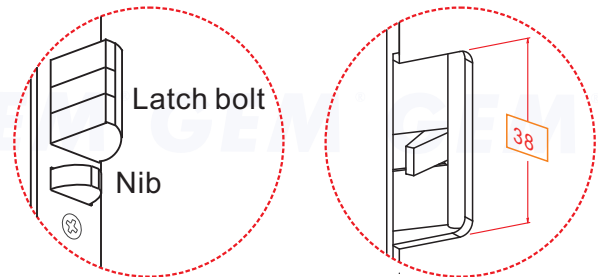
Model Comparison List

Model	Door frame	Switch Monitored	Application Lockset	Installation	Optional Accessory
GK300	Hollow metal Frames		Spring latch	Flush Mounting	LP-025, LP-050
GK300M	Hollow metal Frames	●	Spring latch	Flush Mounting	LP-025, LP-050
GK301	Wood Frames		Spring latch	Flush Mounting	LP-025, LP-050
GK301M	Wood Frames	●	Spring latch	Flush Mounting	LP-025, LP-050
GK310	Hollow metal Frames		Latch-bolt lock	Flush Mounting	LP-025, LP-050
GK310M	Hollow metal Frames	●	Latch-bolt lock	Flush Mounting	LP-025, LP-050
GK311	Wood Frames		Latch-bolt lock	Flush Mounting	LP-025, LP-050
GK311M	Wood Frames	●	Latch-bolt lock	Flush Mounting	LP-025, LP-050
GK350	Hollow metal & Wood Frames		Night Latch	Surface Mounting	

Dimension



What's Latch bolt lock ?



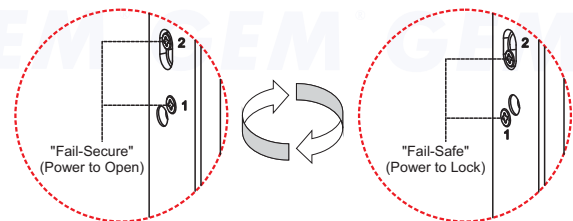
A latch bolt lock is a lock comprising a latch bolt and a nib. When the door is closed, the nib makes the latch a dead bolt. The latch bolt locks into the strike keeper of the door frame to make sure that it is closed. Latch-bolt locks are available in **GK-310** and **GK-311** model.

Specifications

- Power Input: 12 V DC (24V DC available by special order)
- Voltage Tolerance: 15%
- Current Draw: 0.25 A@12 VDC; 0.15 A@24 VDC (at temperature 20C)
- Sensor Switch monitored output (optional model), Rating 2A@125V, indicates the lockset locked or unlocked status.
- Operating Temperature: -10~45C
- Humidity: 0~95% non-condensing.
- Lock's surface Temperature (when the power is on): <current temperature +20C
- 2000 LBS jaw strength pull testing.
- Tested to 1,000,000 cycles.
- Weight (Approx.): 380 g

Version Changeable

The GK-300 electric strike can easily be changed between fail-safe and fail-secure modes. This unique design enables distributors to reduce inventory and still meet varying needs and requirements of end users.



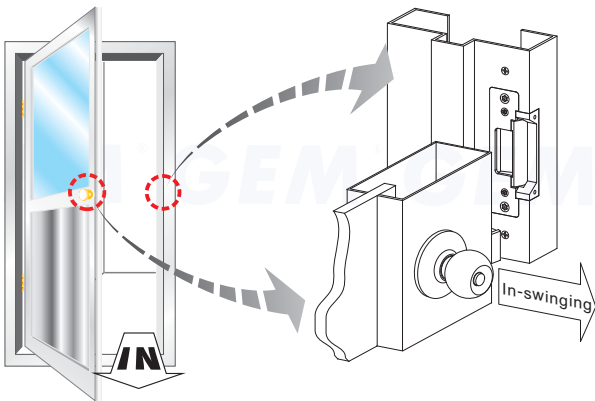
GIANNI INDUSTRIES, INC.

No. 13, Zhong Sing Road, Tu-Cheng Industrial Zone,
Tu-Cheng City, Taipei, Taiwan 23678
Tel: 886-2 2267 7986 / Fax: 886-2 2267 9876
E-Mail: info@gianni.com.tw
Website: gianni.tw
Copyright © 2008 Gianni industries, inc. All rights reserved.
DM-CA-GK300 Ver. E Published on 2008.10.20



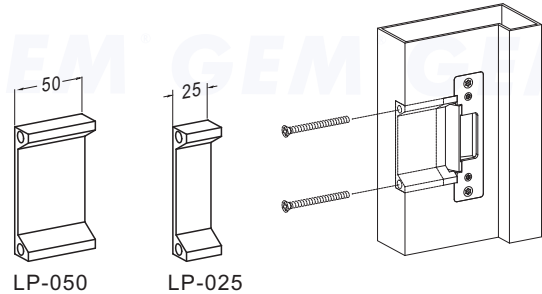
The products are manufactured under an ISO 9001 & QC 080000 Certified Quality Management Program environment back its product quality, performance and commitment to customer satisfaction.

GK300, 310 Hollow Metal Frames Flush Installation

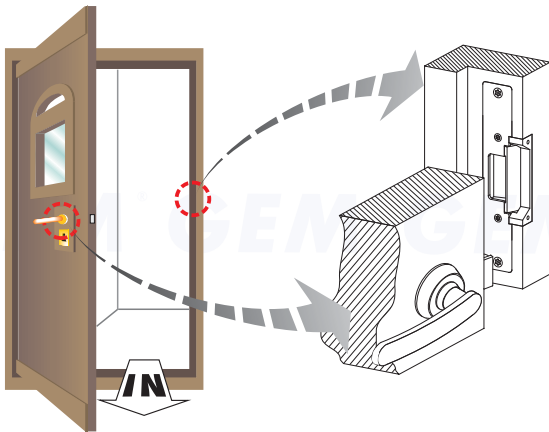


Optional Accessory

Lip extension brackets for the wide jamb.



GK301, 311 Wood Frames Flush Installation



CSIRO Fire-resistance Certificate

This product, its materials and assemblies have been proven to be fire resistant in accordance with the test procedures of Sponsored Investigation FSV 0609 and the terms of clause 4.1 of Australian Standard 1905, Part 1-1997.

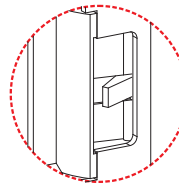
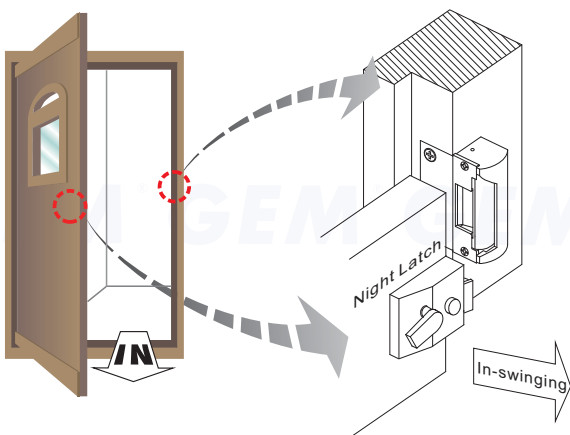
Long life solenoids

Special solenoid designed for strength and long life and is guaranteed the operating lifetime of at least 1,000,000 times.

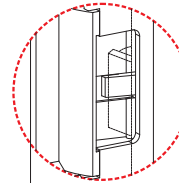
Latch Monitoring Output

The models with "Sensor Switch monitoring output" function indicates the lockset locked or unlocked status.

GK350 Surface Mount Installation



When the door is opened, in the result the sensor switch will cause the green - yellow wire connected together.



When the door is closed, in the result the sensor switch will cause the green - blue wire connected together.

GIANNI INDUSTRIES, INC.

Unique narrow strike base designed for streamline door jamb solution.



GK300-9
Hollow metal jamb installation



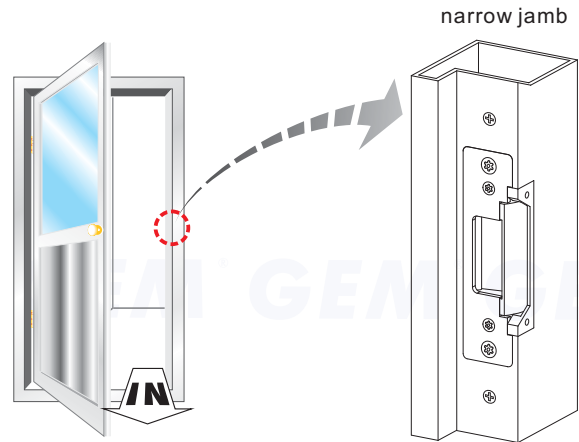
GK300M-9
Hollow metal jamb installation



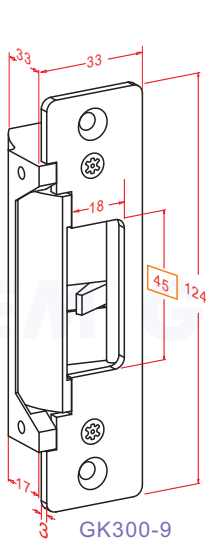
GK301-9
Wooden jamb installation



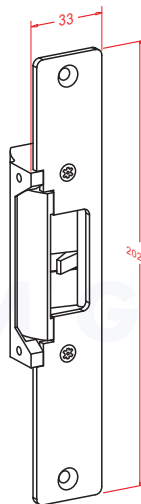
GK301M-9
Wooden jamb installation



The GK300-9 series electric strikes are designed for use with Door Latch, having up to 12 mm keeper depth for in-swinging doors. In addition, an added indent to the latch to overcome problems with some of the mortice locks sticking on the opening.



GK300-9
GK300M-9



GK301-9
GK301M-9

Unit : mm

Warranty

The product is warranted against defects in material and workmanship while used in normal service for a period of 3 year from the date of sale to the original customer. The GEM policy is one of continual development and improvement; therefore GEM reserves the right to change specifications without notice.

GIANNI INDUSTRIES, INC.

No. 13, Zhong Sing Road, Tu-Cheng Industrial Zone,
Tu-Cheng City, Taipei, Taiwan 23678
Tel: 886-2 2267 7986 / Fax: 886-2 2267 9876
E-Mail: info@gianni.com.tw
Website: gianni.tw
Copyright 2008 Gianni industries, inc. All rights reserved.
DM-CA-GK300 Ver. E Published on 2008.10.20



The products are manufactured under an ISO 9001 & QC 080000 Certified Quality Management Program environment back its product quality, performance and commitment to customer satisfaction.