

The EM-PROX-2 is an IP65 RFID access control reader designed to work with the 125KHz frequency cards or fob technology. The reader emits a back lit blue light when powered, turning green / red when a card / fob is presented. The reader also has tamper and reverse power polarity protection built in. Output technology is Wiegand 26 Bit meaning it will be compatible with many access control systems within the market and makes it a great choice for any installer looking for an aesthetically pleasing generic access control 125KHz reader.

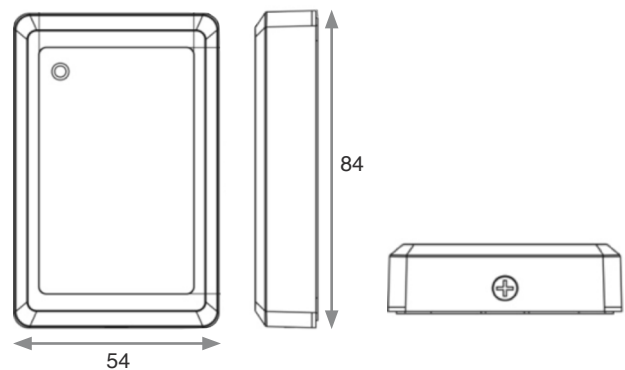


EM-PROX-2

## Key Features

- Reads CSN and full UID of 125KHz card
- Static charge protection on input and output signals
- IP65 rating
- Reverse polarity protection
- Tamper protection
- Customisable back lit plate design available

## Dimensions (mm)



## Specification

<b>Model Number</b>	EM-PROX-2
<b>Reader Output Format</b>	CSN/UID 26 bit (32 bit optional)
<b>Reader Connection Type</b>	40cm fly lead
<b>Buzzer Control</b>	Reader and controller control
<b>LED / Back Lit Control</b>	Defines different LED colour response based on LED input
<b>Typical Read Range</b>	5cm (Based on different technology)
<b>Frequency</b>	125KHz
<b>Reader Standard Output</b>	Wiegand 26 bit (Default), 32 bit (Optional)
<b>Wiring Distance</b>	100m (22AWG with shielded cable)
<b>Operating Voltage</b>	DC10~15V
<b>Operating Current</b>	150mA (Max.)
<b>Operating Temperature</b>	-30°C ~ 70°C
<b>Operating Humidity</b>	10% - 90%
<b>Case Material</b>	PC & ABS Black
<b>Dimensions</b>	84 (L) x 54 (W) x 16.5 (H) mm

Genie Access reserves the right to change specifications without notice. Please contact your representative to confirm current specifications.