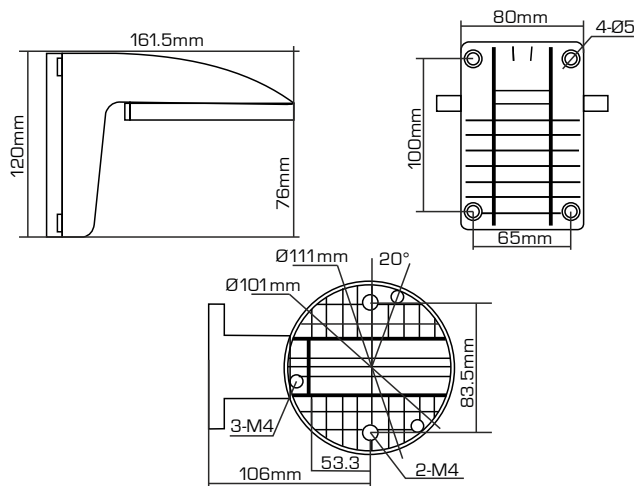


DS-1258ZJ



FEATURES:

- **Good toughness and strength**
- **Beautiful design with wire outlet hole**
- **coordination with small and nice appearance**

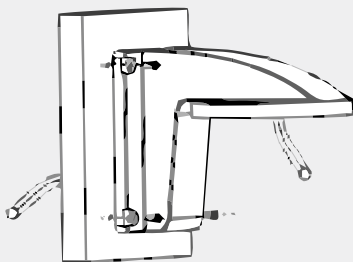


DS-1258ZJ

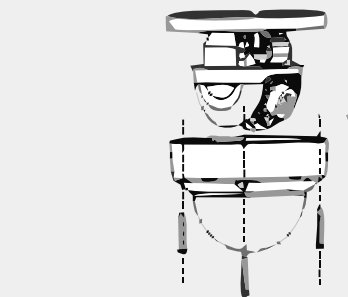
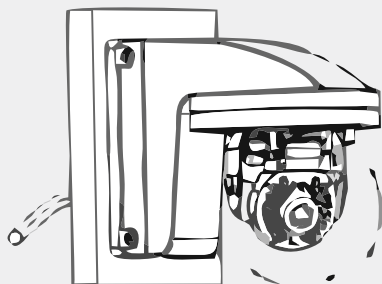
SPEC	
Parameters	Indoor wall mount
Colour	Hik White
Feature	Suitable for mini dome or dome camera
Material	ABS+PC
Dimension	111 x 120 x 161.5mm
Weight	200g

Installation View

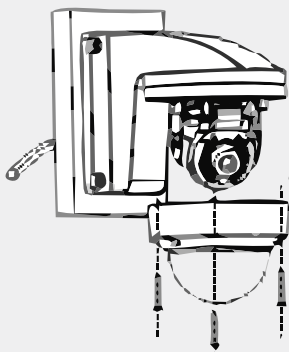
1. Select suitable wall to install the bracket and wire.
2. Loosen the tightening screw & take down the housing.
3. Install the dome core to the gang box, wire & lock the screw.



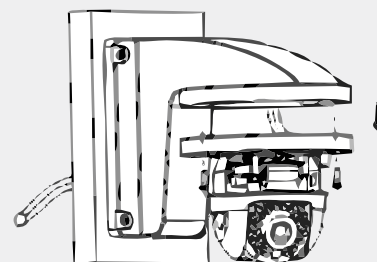
4. Adjust the angle through the 3-axis adjustment structure.



5. Install the housing & lock the screws.



3. Install the dome core to the gang box, wire & lock the screw.



6. Finish the installation.

