

## AGRIPPA ACOUSTIC DIGITAL DOOR HOLDER

- Digital acoustically triggered door holder
- Learns the sound of your fire alarm
- Easy, wire free installation and programming
- Daily timed release option
- 200N holding force
- Two alkaline C cell batteries
- Approved to EN1155 and CE marked



The agrippa door holder learns the sound of your specific fire alarm, releasing the door in the event of a fire.

This new innovation in the industry is also wire free, so it can easily be retrofitted to any door. The releasing trigger reacts to a particular sound rather than simply a loud noise, significantly reducing false alarm activations.

The holder is easy to install, only requires 2 x C cell batteries (which last for 12 months) and can be programmed for timed daily release.

Other features include a seven segment LED display, manual release button and a low battery warning display.

Ideally suited to environments such as care homes, schools and hospitals where it is essential to have doors in an open position at certain times of the day to aid access, but equally as important to ensure the doors are closed in the event of a fire and where they can be installed with minimum disruption.

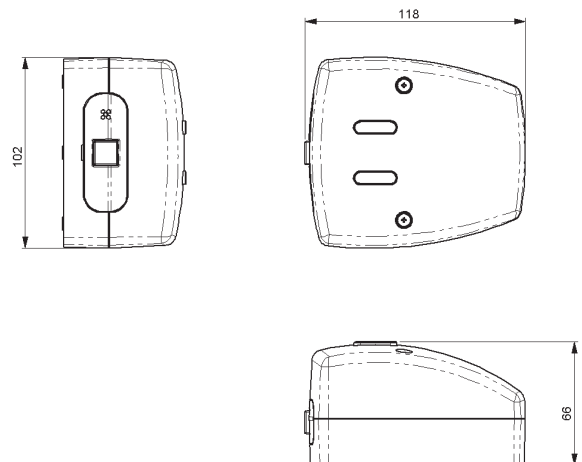
The holder is part of the agrippa range which also includes an acoustically triggered fire door closer/hold open unit.



TECHNICAL INFORMATION	
Holding force	200 N
Power size	5
Default setting	65dBA, 1.2 - 3.0 kHz
Preferred sounder	Continuous tone *
Dimensions (mm)	118 L x 102 W x 66 D
Standard finish	White

\* Not suitable for voice alarm systems

Part Number: DR-AGRIPPA



## AGRIPPA ACOUSTIC DIGITAL DOOR CLOSER

- Digital acoustically triggered door closer
- Learns the sound of your fire alarm
- Easy, wire free installation and programming
- Daily timed release option
- Holding angle 65-105 degrees
- Two alkaline C cell batteries
- Approved to EN1155 and CE marked



The agrippa door closer learns the sound of your specific fire alarm, releasing the door in the event of a fire.

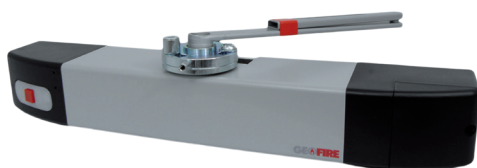
This new innovation in the industry is also wire free, so it can easily be retrofitted to any door. The releasing trigger reacts to a particular sound rather than simply a loud noise, significantly reducing false alarm activations.

The closer is easy to install, only requires 2 x C cell batteries (which last for 12 months) and can be programmed for timed daily release and has adjustable closing speeds.

Other features include a seven segment LED display, manual release button and a low battery warning display.

Ideally suited to environments such as care homes, schools and hospitals where it is essential to have doors in an open position at certain times of the day to aid access, but equally as important to ensure the doors are closed in the event of a fire and where they can be installed with minimum disruption.

The closer is part of the agrippa range which also includes an acoustically triggered magnetic door holder.



TECHNICAL INFORMATION	
Hold open type	Swing free
Power size	4
Default setting	65dBA, 1.2 - 3.0 kHz
Preferred sounder	Continuous tone *
Dimensions (mm)	463 L x 71 W x 76 D
Standard finish	Silver

\* Not suitable for voice alarm systems

Part Number: DC-AGRIPPA

