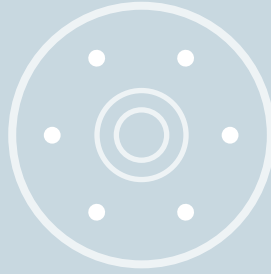


 VIDEX



*Technology for the future*

**AUDIO &  
VIDEO KIT  
2011**



*Technology for the future*

All Audio and Video kits connections indicated in this catalogue are for one or two way standard installations.

For special installations please contact our technical staff by e-mail at the following address [technical@videx.it](mailto:technical@videx.it)

## Index

### Video range



#### 4000 SERIES

"2 Wire" Videokit	4-5
Videokit	6
Videocode Kit	7
Videprox Kit	8
Vandal Resistant Videokit	9
Vandal Resistant Videocode Kit	10

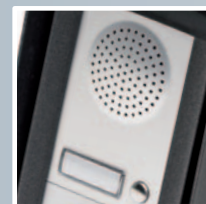
#### SMART SERIES

Videokit	11
----------	----

#### 8000 SERIES

Videokit	12
Videocode Kit	13

### Audio range



#### 4000 SERIES

Audiokit	14
Digiphone Kit	15
Vproxphone Kit	16
Vandal Resistant Audio Kit	17
Vandal Resistant Digiphone Kit	18
GSM Audio Kit	19
Digiphone/GSM Kit	20

#### SMART SERIES

Audiokit	21
"Two wire" Kit	22

#### 8000 SERIES

8K Audiokit	23
Digiphone Kit	24
Interkit	25
Minikit	26
Slim Kit	27

### Finishing



Finishing	28-29
-----------	-------

Videophones	30
-------------	----

## ***The Widest range of audio and video kits***

*Our ever expanding range of audio and video kits is due to our policy of continued product improvement and new product development. Two new additions have been introduced to our video intercom range:*

- 3600 Compact colour video intercom*
- 5000 Eclipse Slim Line colour video intercom*

*The 3600 Compact series is based on and is similar in appearance to the popular 3000 series video monitors but will only be available in a colour version. We can confirm that mono (CRT) monitors are slowly being phased out and replaced with industry standard 3.5" high quality active matrix LCD monitors, which, in time will become the standard for all Videx Video Kits and Video Monitors.*

*The 3600 is currently available in the following models: Art.3688 for use on the Videx two wire colour video kits (as CESVK range).*

*Art.3656 for use on the Videx six wire colour video kit range (CVK4K..., CVK8K... and CVR4KV range).*

*The 5000 Eclipse Slim Line range of colour video monitors offer the same functions as the standard 5000 range but have been re modelled in the new "Slim design" where the units depth has been substantially reduced by 19mm (from 53mm to 34mm). The new range of "Slim Line" intercoms incorporate built in termination connectors and the wall fixing plate which are all located in the lower part of the unit. The 5000 "Slim Line" range has an optional flush mounting kit available. As a result of this re modelling the "Slim Line" range does not allow for an optional telephone handset to be fitted.*

*Products that have recently been introduced include the 8000 series audio and video kits, the two wire 4000 series video kits, the 4000 vandal resistant series audio and video kits, and the market leading 4000 series audio GSM kits (using quad band GSM mobile technology), now with additional features added.*

*Videx audio and video kits are not only identified by*

*their modern design, but most now incorporate the latest microprocessor technology and voice switching techniques. This technology has also been incorporated in the manufacture of the 4000 and 8000 range of door panels and the latest range of audio and video intercoms.*

*All Videx 4000 and 8000 series video kits now offer an extended range of functions which include, intercommunication facility (between video intercoms in the same apartment or among those in a different apartment), timed privacy with LED indication, door monitoring, visual and audio indications to confirm system operation, inputs for "push to exit" service, option for multiple entrance (up to 4 doors) and the use of a six wire common bus for both 1 and 2 way systems.*

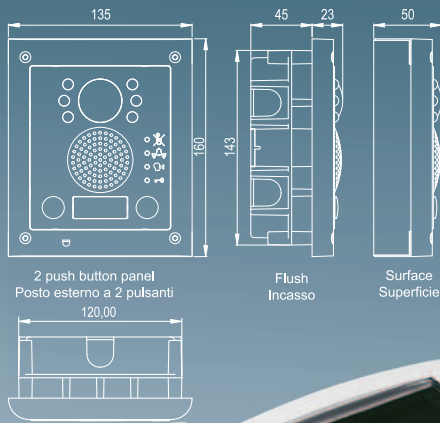
*All kits in the 4000 and 8000 range are also available with an integral codelock (allowing users to open the door by entering their access code). A proximity key reader option is also available for the 4000 range (where the user can open the door by presenting their proximity fob/card to the reader).*

*All video kits are currently available in colour or b/w (b/w will be phased out over time), 1 or 2 way, flush or surface mounted (determined by the door panel type) and all versions are available in the various finishes which can be found at the back of this brochure.*

*A memory video phone option is available for many of the video kits. This allows a record of the visitor to be captured (b/w or colour) with a date and time stamp. The visitors record can be captured manually by pressing the relevant button on the video intercom or set to capture automatically when a visitor calls. The memory phone option can be ordered by adding /MV to the basic code of the video kit.*

*All audio kits using the standard modular systems (4000 or 8000 range) can upon request be expanded up to 12 call push buttons.*





CESVK-1S



**2 WIRE BUS VIDEOKIT CESVK SERIES**



The CESVK video kits require only 2 wires to carry video, audio and data. Developed from the VX2300 2 Wire digital video door entry system, the video kit uses the same devices (intercoms, videophones, videomonitors, distributors, exchangers, power supplies etc.) and offers the following facilities:

- Facility to make multiple entrance systems using the exchanger Art.2301N;
- Facility to make systems with up to 7 users (requires Art.4333 firmware revision 2.0 or later);
- Facility to connect up to 4 intercoms/videophones in parallel using the distributor Art.317 (if videophones must be switched on at the same time, the additional videophones must be powered separately);
- Intercommunication between intercoms/videophones inside the same apartment or between intercoms/videophones inside different apartments (two way videokit);
- The use of the Art.2305 BUS relay for additional services;
- Disability Friendly - Acoustic & Visual signalling of the system status (busy, call in progress, conversation in progress and door open signalling);
- Recall (selective entrance recall on systems with 2 or more outdoor stations);
- Local call tone which is different from the external push button call tone;
- Videophone incorporates "Privacy" On/Off facility (with either latched or timed activation of privacy);
- Programmable Call, conversation and door opening times;
- Dry relay contacts for electric lock.

**CESVK-1**

One button videokit comprising of:

**1 Outdoor station** including speaker unit module Art.4333-1/Colour comprising of high quality auto iris camera with white light illumination LEDs plus one module flush mounting box with module support and hinge Art.4851. Standard finish: mirror stainless steel for the front plate and gun metal grey for the module support.

**1 Art.3688** 3600 Series Videophone with 3.5" colour TFT flat monitor, "door open/intercommunicating call", "camera recall" and "Privacy on/Call reject/Service" push button plus "on" and "door open" LEDs\* and one "privacy on" LED. Electronic call tone with 3 level adjustable volume. Controls: picture hue and brightness. Complete with wall mount support Art.5980.

**1 Art.2321** Specific power supply in a Type A 9 module DIN box.

Packing: Cardboard 29x45x13 cm total weight 3,8 Kg.

**CESVK-2**

As CESVK-1 but two call button version speaker unit Art.4333-1D/Color and 2 videophones Art.3688.

Packing: Cardboard 26x29x25cm total weight 4,15Kg.

**CESVK-1S, CESVK-2S**

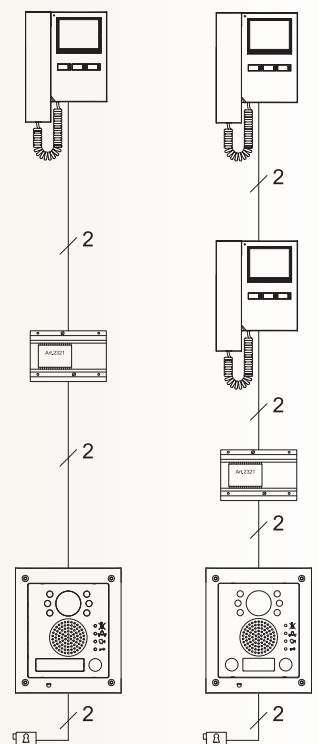
As the flush mount versions but with surface mounting box Art.4881.

Packing: the same as equivalent flush model with total weight of 4,1 Kg for one button version and 4,45 Kg for two button version.

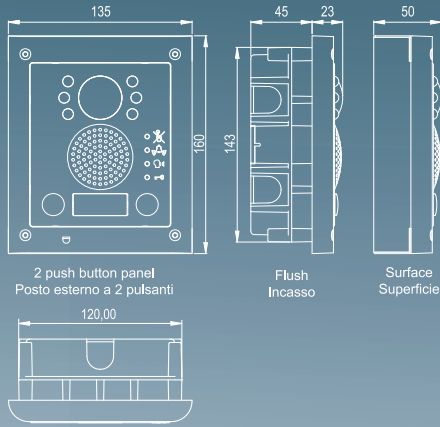
The module support frame and the module front plate are available in other finishes, **see pictures 5 and 6 on page 29** for available versions and additional suffix to use for orders.

The above colour kits can be ordered with a different videophone model, **see page 30** to check their features, code, photos and dimensions.

\*Some LED's require additional connections in order to work.







CESVK-1S/ECLIPSE

## 2 WIRE BUS VIDEOKIT CESVK/ECLIPSE



The CESVK/ECLIPSE kits require only 2 wires to carry video, audio and data. Developed from the VX2300 2 Wire digital video door entry system, the video kit uses the same devices (intercoms, videophones, videomonitors, distributors, exchangers, power supplies etc.) and offers the following facilities:

- Facility to make multiple entrance systems using the exchanger Art.2301N;
- Facility to make systems with up to 7 users (requires Art.4333 firmware revision 2.0 or later);
- Facility to connect up to 4 intercoms/videophones in parallel using the distributor Art.317 (if videophones must be switched on at the same time, the additional videophones must be powered separately);
- Intercommunication between intercoms/videophones inside the same apartment or between intercoms/videophones inside different apartments (two way videokit);
- The use of the Art.2305 BUS relay for additional services;
- Disability Friendly - Acoustic & Visual signalling of the system status (busy, call in progress, conversation in progress and door open signalling);
- Recall (selective entrance recall on systems with 2 or more outdoor stations);
- Local call tone which is different from the external push button call tone;
- Videophone incorporates "Privacy" On/Off facility (with either latched or timed activation of privacy);
- Programmable Call, conversation and door opening times;
- Dry relay contacts for electric lock.

### CESVK-1/ECLIPSE

One button videokit comprising of:

**1 Outdoor station** including speaker module Art.4333-1/Colour comprising of high quality auto iris colour CCD camera with white light illumination LEDs plus one module flush mounting box with module support and hinge Art.4851. Standard finish: mirror stainless steel for the front plate and gun metal grey for the module support.

**1 Art.ECLIPSE** Intelligent Hands free video monitor using 3,5" full colour active matrix LCD monitor, with "door open/intercommunicating call", "answer/camera recall", "privacy on/off", "bus relay activation" buttons all with LED\* indication and 2 additional service buttons. Controls: loudspeaker volume, call tone volume, brightness and hue. Programmable number of rings, privacy duration and intercommunication mode. Electronic call tone plus active low inputs for local bell and alarm.

**1 Art.2321** Specific power supply in a Type A 9 module DIN box.

Packing: Cardboard 29x45x13 cm total weight 4,3 Kg.

### CESVK-2/ECLIPSE

As CESVK-1/ECLIPSE but two call button version speaker unit 4333-1D/Colour and 2 videophones Art.SL5488.

Packing: Cardboard 26x29x25cm total weight 5,15Kg for B&W and 4,35Kg for color.

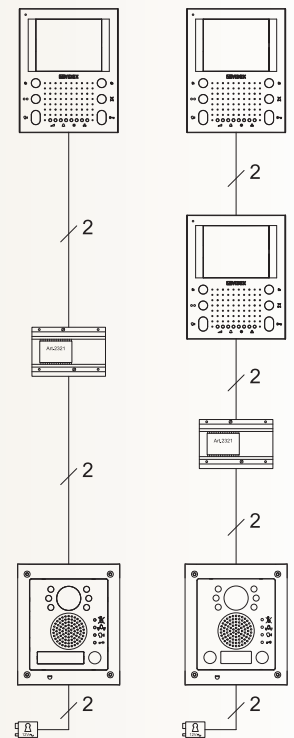
### CESVK-1S/ECLIPSE, CESVK-2S/ECLIPSE

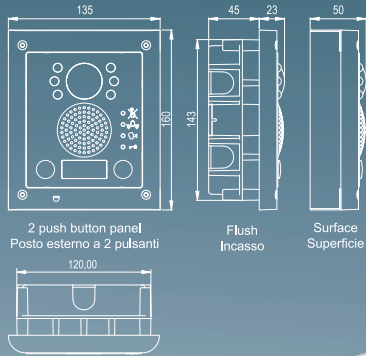
As the flush mount versions but with surface mounting box Art.4881.

Packing: the same as equivalent flush model with total weight of 4,6 Kg for one button version and 5,45 Kg for two button version.

The module support frame, the module front plate and the videophone are available in other finishes, **see pictures 5, 6 and 7 on page 29** for available versions and additional suffix to use for orders.

\*Some LED's require additional connections in order to work.





**CVK4K SERIES VIDEOKIT**

The CVK4K series videokit offers a number of new operating features and allows greater flexibility for installation.

- Up to 4 outdoor stations with 2 call push buttons calling 2 independent apartments;
- Up to 3 peripheral devices connected in parallel to each videophone (additional videophone, extension sounder, telephone handset etc);
- Disability Friendly - Acoustic & Visual signalling of the system status (busy, call in progress, conversation in progress and door open signalling);
- Recall (selective entrance recall on systems with 2 or more outdoor stations);
- Intercommunication between internal videophones;
- Local call tone which is different from the external push button call tone;
- Videophone incorporates "Privacy" On/Off facility (with either latched or timed activation of privacy);
- Programmable Call, conversation and door opening times;
- Dry relay contacts for electric lock;
- Power supply can be connected to the videophone or the outdoor station.

**CVK4K**

One button videokit comprised of:

**1 Outdoor station** including speaker unit module Art.4833-1/C comprised of high quality auto iris lens CCD colour camera and white illumination LEDs plus one module flush mounting box with module support and hinge Art.4851. Standard finishes: mirror stainless steel for the front plate and gun metal grey for the module support.

**1 Art.3656** 3600 Series Videophone with 3.5" colour TFT flat monitor, "door open/intercommunicating call", "camera recall" and "Privacy on/Call reject/Service" push button plus "on" and "door open" LEDs\* and one "privacy on" LED. Electronic call tone with 3 level adjustable volume. Controls: picture hue and brightness. Complete with wall mount support Art.5980.

**1 Art.850K** Power transformer in a Type A 5 module DIN box.

Packing: box 43x27x10cm total weight 2.95 Kg.

**CVK4K-2**

As CVK4K but two button version speaker unit Art.4833-1D/Color, 2 videophones Art.3656, 2 power transformers and one video distributor Art.316N.

Packing: Cardboard 26x26x28cm total weight 4.6 Kg.

**CVK4K-S, CVK4K-2S**

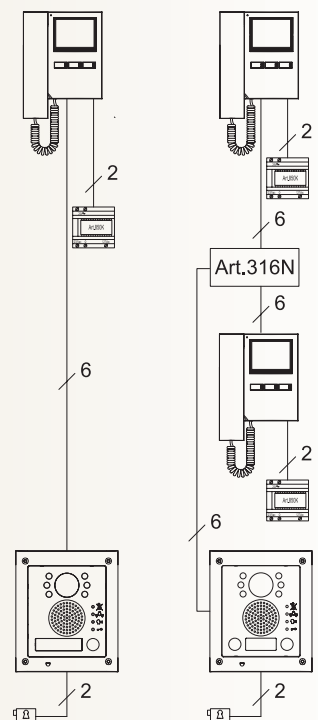
As the flush mount versions but with surface mounting box Art.4881.

Packing: the same as relevant flush model with total weight 3.2 Kg for one button version and 4.85 Kg for two button version.

The module support frame and the module front plate are available in other finishes, **see pictures 5 and 6 on page 29** for available versions and additional suffix to use for orders.

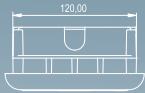
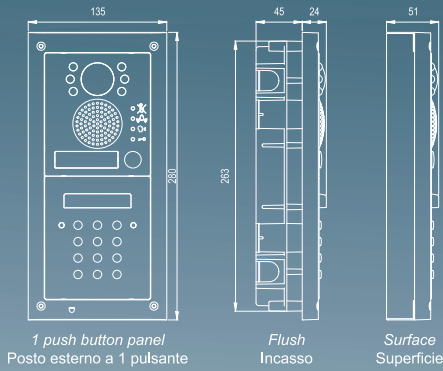
The above colour kits can be ordered with a different videophone model, **see page 30** to check their features, code, photos and dimensions.

\*Some LED's require additional connections in order to work.



CVK4K-S





1 push button panel  
Posto esterno a 1 pulsante

Flush  
Incasso

Surface  
Superficie



CVKC4K-S



### CVKC4K SERIES VIDEOCODE KIT



With the addition of a VIDEEX stand-alone digital codelock module Art.4800 added to the large number of features offered by the CVKC4K videokit. The user can open the door from the outside by entering an access code through the keypad.

#### CVKC4K

One button videokit comprised of:

**1 Outdoor station** including speaker unit module Art.4833-1/C comprised of high quality auto iris lens CCD colour camera and white light illumination LEDs plus one codelock module Art.4800 (3 codes / 3 relay outputs) and a two module flush mounting box with module support and hinge Art.4852. Standard finishes: mirror stainless steel for the front plate and gun metal grey for the module support.

**1 Art.3656** 3600 Series Videophone with 3.5" colour TFT flat monitor, "door open/intercommunicating call", "camera recall" and "Privacy on/Call reject/Service" push button plus "on" and "door open" LEDs\* and one "privacy on" LED. Electronic call tone with 3 level adjustable volume. Controls: picture hue and brightness. Complete with wall mount support Art.5980.

**1 Art.850K** Power transformer in a Type A 5 module DIN box.

Packing: briefcase 45x41x10cm Total weight 4 Kg.

#### CVKC4K-2

As CVKC4K but two button version speaker unit Art.4833-1D/Color, 2 videophones Art.3656, 2 power transformers and a video distributor Art.316N.

Packing: Cardboard 23x53x16cm total weight 5.6 Kg.

#### CVKC4K-S, CVKC4K-2S

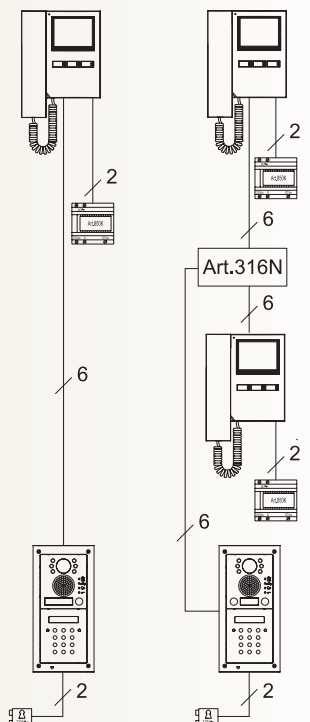
As the flush mount versions but with surface mounting box Art.4882.

Packing: the same as relevant flush models with total weight 4.4 Kg for one button version and 6 Kg for two button version.

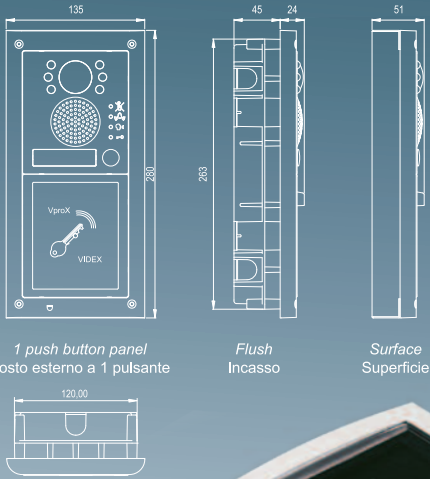
The module support frame and the module front plate are available in other finishes, **see pictures 5 and 6 on page 29** for available versions and additional suffix to use for orders.

The above colour kits can be ordered with a different videophone model, **see page 30** to check their features, code, photos and dimensions.

\*Some LED's require additional connections in order to work.







### CVKX4K SERIES VIDEPROX KIT



With the addition of a VIDEEX stand-alone proximity reader module Art.4850. Adding proximity fob access control to the large number of features offered by the CVK4K videokit. The user can open the door from the outside by simply presenting a card/fob to the external reader.

#### CVKX4K

One button videokit comprised of:

**1 Outdoor station** including speaker unit module Art.4833-1/C comprised of high quality auto iris lens CCD Colour camera and white light illumination LEDs plus one stand-alone proximity key reader Art.4850 (up to 100 keys / 1 relay output) and two modules flush mounting box with module support and hinge Art.4852. Standard finishes: mirror stainless steel for the front plate and gun metal grey for the module support.

**1 Art.3656** 3600 Series Videophone with 3.5" colour TFT flat monitor, "door open/intercommunicating call", "camera recall" and "Privacy on/Call reject/Service" push button plus "on" and "door open" LEDs\* and one "privacy on" LED. Electronic call tone with 3 level adjustable volume. Controls: picture hue and brightness. Complete with wall mount support Art.5980.

**1 Art.850K** Power transformer in a Type A 5 module DIN box.

**3 Art.955/C** Coded proximity key card format (tag Art.955/T available on request)

Packing: briefcase 45x41x10cm Total weight 4 Kg.

#### CVKX4K-2

As CVKX4K but with two button version speaker unit 4833-1D/Color, 2 videophones Art.3656, 2 power transformers and a video distributor Art.316N.

Packing: Cardboard 23x53x16cm total weight 5.6 Kg.

#### CVKX4K-S, CVKX4K-2S

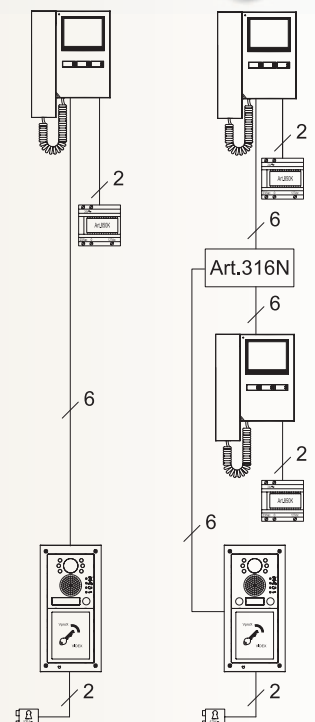
As the flush mount versions but with surface mounting box Art.4882.

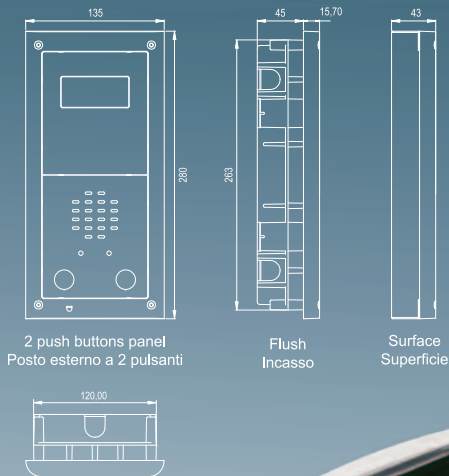
Packing: the same as relevant flush models with total weight 4.4Kg for one button version and 6 Kg for two button version.

The module support frame and the module front plate are available in other finishes, **see pictures 5 and 6 on page 29** for available versions and additional suffix to use for orders.

The above colour kits can be ordered with a different videophone model, **see page 30** to check their features, code, photos and dimensions.

\*Some LED's require additional connections in order to work.





2 push buttons panel  
Posto esterno a 2 pulsanti

Flush  
Incasso

Surface  
Superficie



CVR4KV-1S

**CVR4KV SERIES VIDEOKIT**



The CVR4KV is a new range of vandal resistant videokits. Developed from the popular VK4K videokit, the VR4KV offers a number of operating features and allows greater flexibility for installation. The face plate is manufactured from 2.5 mm stainless steel.

- Up to 4 outdoor stations (video or audio only) with 2 call push buttons calling 2 independent apartments;
- Up to 3 peripheral devices connected in parallel to each videophone (additional videophone, extension sounder, telephone handset etc.);
- Disable Friendly - Acoustic & Visual signalling of the system status (conversation in progress, busy and door open signalling);
- Recall (selective entrance recall on systems with 2 or more outdoor stations);
- Intercommunication between internal videophones;
- Local call tone which is different from the external push button call tone;
- Videophone incorporates "Privacy" On/Off facility (with either latched or timed activation of privacy);
- Programmable Call, conversation and door opening times;
- Dry relay contacts for electric lock;
- Power supply can be connected to the videophone or the outdoor station.

**CVR4KV-1**

One button videokit comprising of:

**1 Outdoor station** including speaker unit module Art.VR4KAMK-1 and camera module Art.VR4KCMC comprising of high quality auto iris lens CCD colour camera and white light illumination LEDs plus two module flush mounting box with module support and hinge Art.4852. Standard finish: brushed stainless steel for the front plate and gun metal grey for the module support.

**1 Art.3656** 3600 Series Videophone with 3.5" colour TFT flat monitor, "door open/intercommunicating call", "camera recall" and "Privacy on/Call reject/Service" push button plus "on" and "door open" LEDs\* and one "privacy on" LED. Electronic call tone with 3 level adjustable volume. Controls: picture hue and brightness. Complete with wall mount support Art.5980.

**1 Art.850K** Power transformer in a Type A 5 module DIN box.

Packing: Cardboard 12x45x43 cm total weight 5.4 Kg

**CVR4KV-2**

As CVR4KV-1 but two call button version speaker unit Art.VR4KAMK-2, 2 videophones Art.3656, 2 power transformers Art.850K and one video distributor Art.316N.

Packing: Cardboard 26x29x25 cm total weight 7.1 Kg.

**CVR4KV-S, CVR4KV-2S**

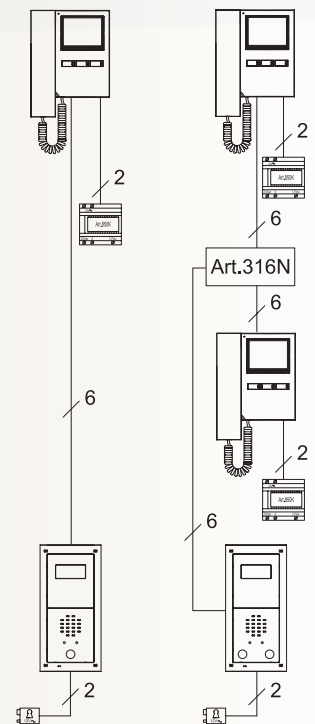
As the flush mount versions but with surface mounting box (Art.4882).

Packing: the same as relevant flush model with total weight 5.7 Kg for one button version and 7.4 Kg for two button version.

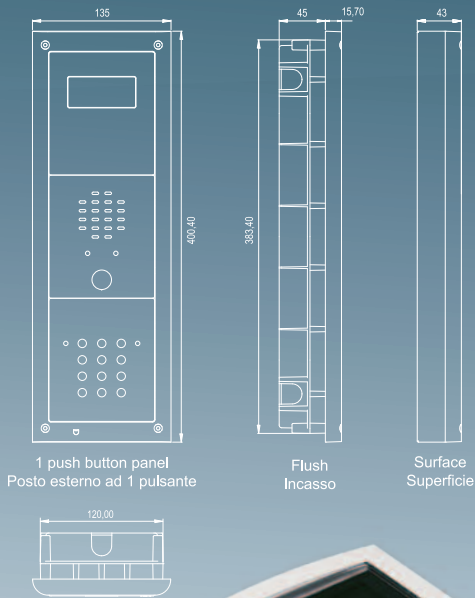
The module support frame is available in other finishes, **see pictures 6 on page 29** for available versions and additional suffix to use for orders.

The above colour kits can be ordered with a different videophone model, **see page 30** to check their features, code, photos and dimensions.

\*Some LED's require additional connections in order to work.



CVR4KV-1S/CL



**CVR4KV/CL SERIES VIDEOKIT**

With the addition of a VIDEX stand-alone digital codelock module Art.VR4KCLM added to the large number of features offered by the CVR4KV videokit. The user can open the door from the outside by entering an access code through the keypad.

**CVR4KV-1/CL**

One button videokit comprised of:

**1 Outdoor station** including one speaker unit module Art.VR4KAMK-1, camera module Art.VR4KCMC comprised of high quality auto iris lens CCD Colour camera and white light illumination LEDs plus one codelock module Art.VR4KCLM (2 codes / 2 relays) and a three modules flush mounting box with module support and hinge (Art.4853). Standard finish: brushed stainless steel for the front plate and gun metal grey for the module support.

**1 Art.3656** 3600 Series Videophone with 3.5" colour TFT flat monitor, "door open/intercommunicating call", "camera recall" and "Privacy on/Call reject/Service" push button plus "on" and "door open" LEDs\* and one "privacy on" LED. Electronic call tone with 3 level adjustable volume. Controls: picture hue and brightness. Complete with wall mount support Art.5980.

**1 Art.850K** Power transformer in a Type A 5 module DIN box.

Packing: Cardboard 54x17x24cm total weight 6.2 Kg.

**CVR4KV-2/CL**

As CVR4KV-1/CL but with two call button version speaker unit module Art.VR4KAMK-2, 2 videophones Art.3656, 2 power transformers Art.850K and one video distributor Art.316N.

Packing: Cardboard 54x17x24 cm total weight 7.9 Kg.

**CVR4KV-1S/CL, CVR4KV-2S/CL,**

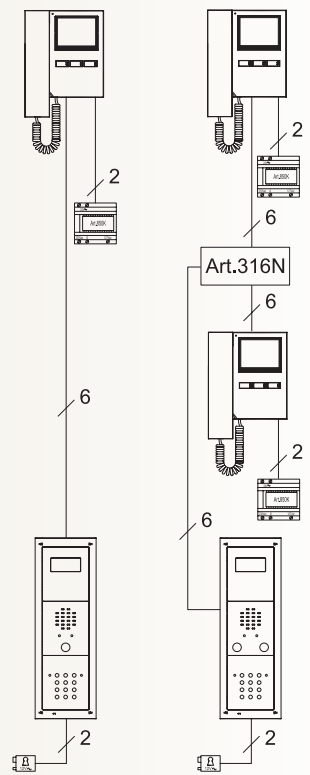
As the flush mount versions but with surface mounting box Art.4883.

Packing: the same as flush models but with total weight of 6.7 Kg for one button version and 8.4 Kg for two button version.

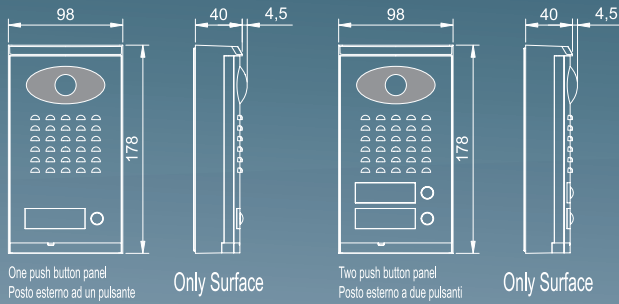
The module support frame is available in other finishes, **see pictures 6 on page 29** for available versions and additional suffix to use for orders.

The above colour kits can be ordered with a different videophone model, **see page 30** to check their features, code, photos and dimensions.

\*Some LED's require additional connections in order to work.







SMVK1/G



**SMART SERIES VIDEOKIT- SMVK1**



One button videokit comprised of:

**1 Art.331K** One call button outdoor station (surface mount only) complete with high quality auto iris lens CCD B&W camera and infrared illumination LEDs. Horizontal & Vertical camera adjustment (10 degrees).

**1 Art.3351** 3000 Series Videophone with 4" B&W flat screen monitor, "door open" and "camera recall" push buttons, 3 "service" push buttons and electronic call tone with adjustable volume on 3 levels. Complete with wall mount support Art.3980.

**1 Art.850K** Power transformer in a Type A 5 module DIN box.

Packing: box 57x26,5x7cm total weight 3.2Kg.

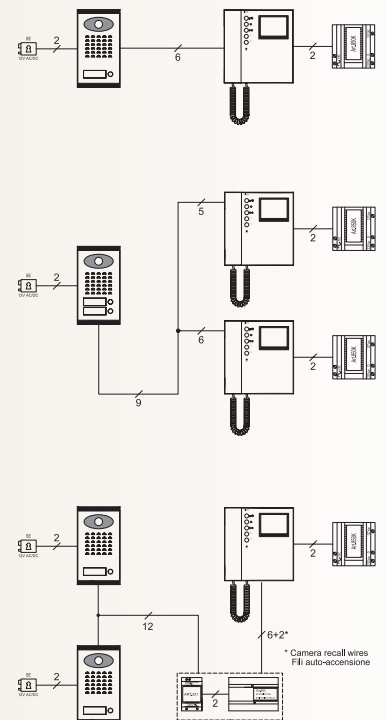
**CSMVK1**

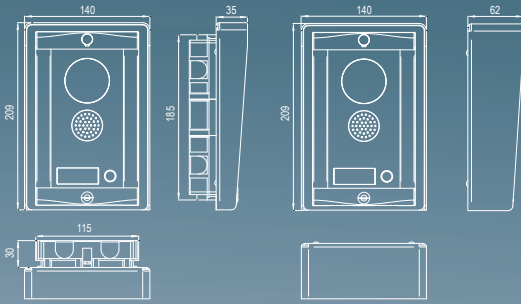
As SMVK1 but with 3.5" colour TFT LCD monitor Art.3451 and colour outdoor station Art.331KColour. Packing: as above

**SMVK2, CSMVK2**

As video kits above but two button version with 2 videophones, 2 power supplies and 2 button outdoor station Art.331K-2. Packing: cardboard 28x26x24cm total weight 5 Kg

The door station front plate and the videophone are available in other finishes, **see pictures 1 and 7 on pages 28 and 29** for available versions and additional suffix to use for orders.





**CVK8K SERIES VIDEOKIT**



The CVK8K series videokits offers a number of new operating features and allows greater flexibility for installation.

- Up to 4 outdoor stations with 2 call push buttons calling 2 independent apartments;
- Up to 3 peripheral devices connected in parallel to each videophone (additional videophone, extension sounder, telephone handset etc.);
- Recall (selective entrance recall on systems with 2 or more outdoor stations);
- Intercommunication between internal videophones;
- Local call tone which is different from the external push button call tone;
- Videophone incorporates "Privacy" On/Off facility (with either latched or timed activation of privacy);
- Programmable Call, conversation and door opening times;
- Dry relay contacts for electric lock;
- Power supply can be connected to the videophone or the outdoor station.

**CVK8K**

One button videokit comprised of:

**1 Outdoor station** including speaker unit module Art.8833-1/colour comprised of high quality auto iris lens CCD Colour camera and white light illumination LEDs plus 1.5 module flush mounting box with module support and hinge Art.8855 plus a rainshield Art.8875. Standard finishes: mirror stainless steel for the front plate and aluminium for the module support.

**1 Art.3656** 3600 Series Videophone with 3.5" colour TFT flat monitor, "door open/intercommunicating call", "camera recall" and "Privacy on/Call reject/Service" push button plus "on" and "door open" LEDs\* and one "privacy on" LED. Electronic call tone with 3 level adjustable volume. Controls: picture hue and brightness. Complete with wall mount support Art.5980.

**1 Art.850K** Power transformer in a Type A 5 module DIN box.

Packing: box 57x26,6x7cm total weight 3.4Kg.

**CVK8K-2**

As CVK8K, but two button version speaker unit 8833-2/Color, 2 videophones Art.3656, 2 power transformers and one video distributor Art.316N.

Packing: Cardboard 28x26x23cm total weight 6 Kg.

**CVK8K-S, CVK8K-2S**

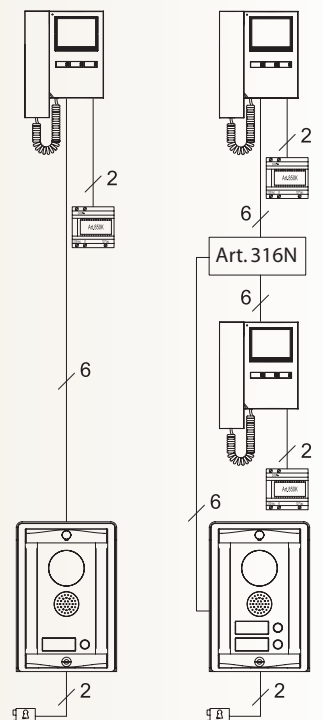
As the flush mount versions but with surface mounting box Art.8885.

Packing: the same as relevant flush model with total weight 4Kg for one button version and 6.5 Kg for two button version.

The module support, the surface mounting box and the module front plate are available in other finishes, **see pictures 2 and 3 on page 28** for available versions and additional suffix to use for orders.

The above colour kits can be ordered with a different videophone model, **see page 30** to check their features, code, photos and dimensions.

\*Some LED's require additional connections in order to work.





CVKC8K-S/A

**CVKC8K SERIES VIDEOCODE KIT**



With the addition of a VIDEX stand-alone digital codelock module Art.8800 added to the large number of features offered by the CVKC8K videokit. The user can open the door from the outside by entering an access code through the keypad.

**CVKC8K**

One button videokit comprised of:

**1 Outdoor station** including speaker unit module Art.8833-1/Colour comprised of high quality auto iris lens CCD colour camera and white light illumination LEDs plus one codelock module Art.8800 (2 codes / 2 relay outputs) and a 2.5 modules flush mounting box with module support and hinge Art.8857 plus a rainshield Art.8877. Standard finishes: mirror stainless steel for the front plate and aluminium for the module support.

**1 Art.3656** 3600 Series Videophone with 3.5" colour TFT flat monitor, "door open/intercommunicating call", "camera recall" and "Privacy on/Call reject/Service" push button plus "on" and "door open" LEDs\* and one "privacy on" LED. Electronic call tone with 3 level adjustable volume. Controls: picture hue and brightness. Complete with wall mount support Art.5980.

**1 Art.850K** Power transformer in a Type A 5 module DIN box.

Packing: briefcase 45x41x10 cm total weight 4Kg.

**CVKC8K-2**

As CVKC8K but two button version speaker unit Art.8833-2/Color, 2 videophones Art.3656, 2 power transformers and a video distributor Art.316N.

Packing: Cardboard 35x26x23cm total weight 7 Kg.

**CVKC8K-S, CVKC8K-2S**

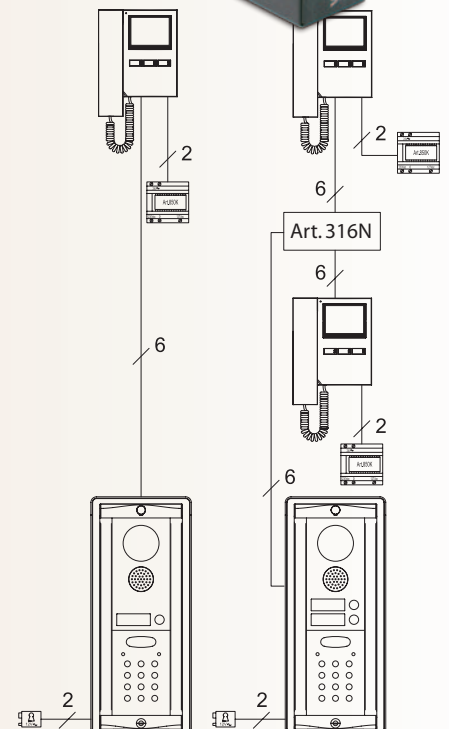
As the flush mount versions but with surface mounting box Art.8887.

Packing: the same as relevant flush models with total weight 4.5 Kg for one button version and 7.5 Kg for two button version.

The module support, the surface mounting box and the module front plate are available in other finishes, **see pictures 2 and 3 on page 28** for available versions and additional suffix to use for orders.

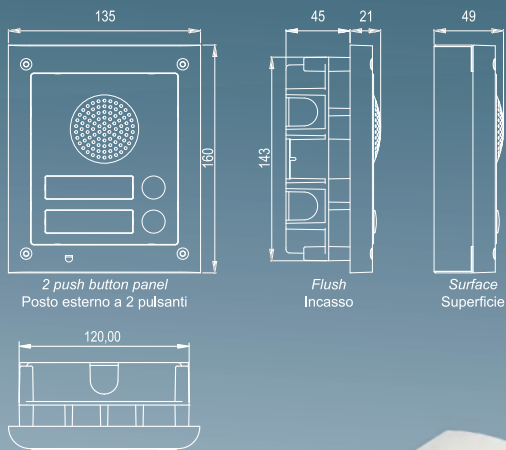
The above colour kits can be ordered with a different videophone model, **see page 30** to check their features, code, photos and dimensions.

\*Some LED's require additional connections in order to work.





4K-1S



**4K SERIES AUDIOKIT**

The 4000 Series audio door entry kits benefit from advanced features such as electronic call tone generation and lock release relay included within the door panel. This reduces the cable requirements between the handset(s) and the door panel to only 4 ("3+1") connections. For this reason larger cable distances using small cores sizes can be achieved between door panel and telephones.

**4K-1**

One button door entry kit comprised of:

**1 Outdoor station** including a one call button speaker unit Art.4836-1 and a flush mounting box with module support and hinge Art.4851.

Standard finishes: mirror stainless steel for the front plate and gun metal grey for the module support.

**1 Art.3011** 3000 Series Smart Line wall mount telephone with "door open" push button and electronic call tone with 3 level adjustable volume control.

**1 Art.321** Power Supply in a type A 3 module DIN box.  
Packing: box 30.5x29x7cm total weight 2 Kg.

**4K-2**

As 4K-1 but two button version with 2 intercoms and 2 call push button speaker unit Art.4836-2.

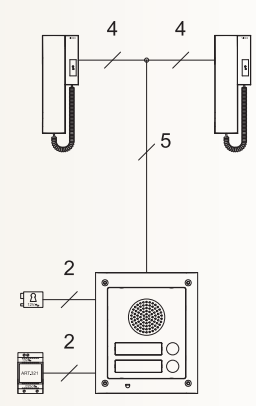
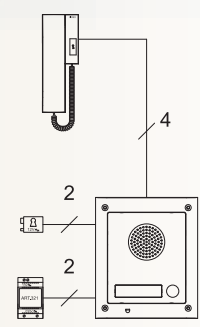
Packing: box 41x39x7cm total weight 2.3 Kg.

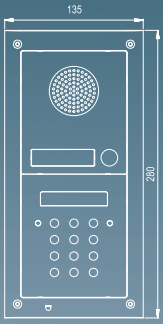
**4K-1S, 4K-2S**

As door entry kits above but with surface mounting box Art.4881.

Packing: the same as the flush versions but with a total weight of 2.3 Kg for one button version and 2.6 Kg for two button version.

The module support frame and the module front plate are available in other finishes, **see pictures 5 and 6 on page 29** for available versions and additional suffix to use for orders.





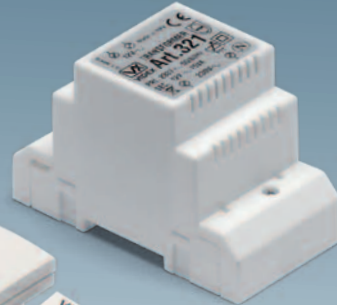
2 push button panel  
Posto esterno a 2 pulsanti



Flush  
Incasso



Surface  
Superficie



DK4K-1S

**DK4K SERIES DIGIPHONE KIT**

As 4K1 audio kit with the addition of a VIDEX codelock module Art.4800. This additional feature allows the user to open the door from outside by typing the relevant access code into the keypad.

**DK4K-1**

One button door entry kit comprised of:

**1 Outdoor station** including a one button speaker module Art.4836-1, a digital codelock Art.4800 Codelock module, (3 codes / 3 relay outputs with keypad illumination) and a flush mounting box with module support and hinge Art.4852. Standard finishes: mirror stainless steel for the front plate and gun metal grey for the module support.

**1 Art.3011** 3000 Series Smart Line wall mount telephone with "door open" push button and electronic call tone with 3 level adjustable volume control.

**1 Art.321** Power Supply in a type A 3 module DIN box.  
Packing: box 30.5x29x7cm total weight Kg.2.4

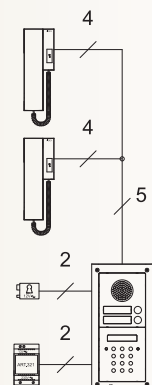
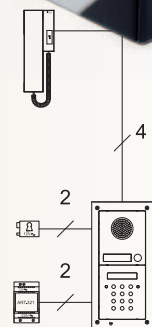
**DK4K-2**

As DK4K-1 but two button version with 2 call button speaker unit Art.4836-2 and 2 intercoms.  
Packing: briefcase 40x32x9cm total weight Kg.2.7

**DK4K-1S, DK4K-2S**

As kits above but with surface mounting box Art.4882.  
Packing: the same as the relevant flush mount version but with total weight 2.8 Kg for one button version and 3.1 Kg for 2 button version.

The module support frame and the module front plate are available in other finishes, **see pictures 5 and 6 on page 29** for available versions and additional suffix to use for orders.



XK4K-1S



2 push button panel  
Posto esterno a 2 pulsanti



Flush  
Incasso



Surface  
Superficie



**XK4K SERIES VPROXPHONE KIT**

As 4K1 audio kit with the addition of a VIDEX stand-alone proximity reader module Art.4850. The user can open the door from the outside by simply presenting a card/fob to the external reader.

**XK4K-1**

One button door entry kit comprised of:

**1 Outdoor station** including a one button speaker module Art.4836-1, one stand-alone proximity key reader Art.4850 (up to 100 keys / 1 relay output) and a flush mounting box with module support and hinge Art.4852. Standard finishes: mirror stainless steel for the front plate and gun metal grey for the module support.

**1 Art.3011** 3000 Series Smart Line wall mount telephone with "door open" push button and electronic call tone with 3 level adjustable volume control.

**3 Art.955/C** Coded proximity key card format (tag Art.955/T available on request).

**1 Art.321** Power Supply in a type A 3 module DIN box.

Packing: briefcase 40x32x9cm total weight Kg.2.9

**XK4K-2**

As XK4K-1 but two button version with 2 call button speaker unit Art.4836-2 and 2 intercoms.

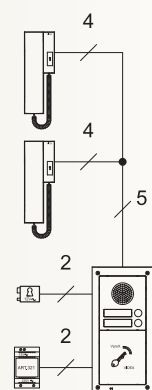
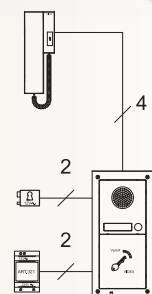
Packing: briefcase 40x32x9cm total weight Kg.3.2

**XK4K-1S, XK4K-2S**

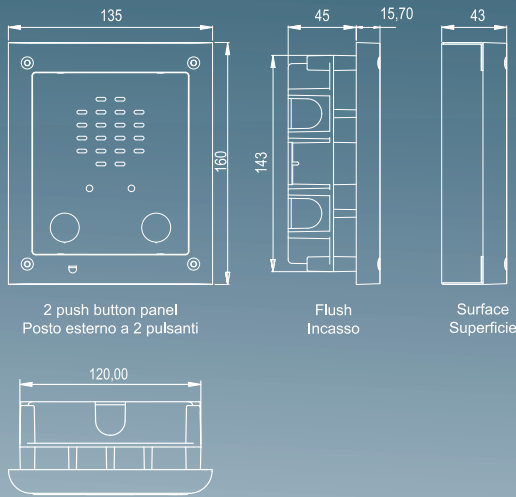
As kits above but with surface mounting box Art.4882.

Packing: the same as the relevant flush mount version but with total weight 3.3 Kg for one button version and 3.6 Kg for 2 button version.

The module support frame and the module front plate are available in other finishes, see pictures 5 and 6 on page 29 for available versions and additional suffix to use for orders.







2 push button panel  
Posto esterno a 2 pulsanti

Flush  
Incasso

Surface  
Superficie



VR4K-1S

### VR4K SERIES VANDAL RESISTANT AUDIO KIT

VR4K is a new range of vandal resistant audio kits, developed from the popular 4K series. The face plate is manufactured from 2.5 mm stainless steel and incorporates IP68 stainless steel push buttons. The face plate is housed in the 4000 series front support frame, which gives the unit substantial strength. Disability Friendly, with acoustic and visual signalling of the system status (conversation in progress, busy and door open indication) Reassurance tones are standard. Multiple entrances without the need of the 2 entrance exchange unit. Dry contact relay for lock release connection.

#### VR4K-1

One button flush door entry kit comprising of:

**1 Outdoor station** including one call button speaker unit module Art.VR4KAM-1 and a flush mounting box with module support and hinge Art.4851. Standard finish: brushed stainless steel for the front plate and gun metal grey for the module support.

**1 Art.3111 3000 Series** wall mount telephone with "door open" and "service" push buttons and electronic call tone with 3 level adjustable volume control.

**1 Art.520M** Power Supply in a type A 8 module DIN box.

Packing: Cardboard 24x26x7 cm total weight 2.1 Kg.

#### VR4K-2

As VR4K-1 but two call button version with 2 telephones and a 2 call button speaker unit Art.VR4KAM-2.

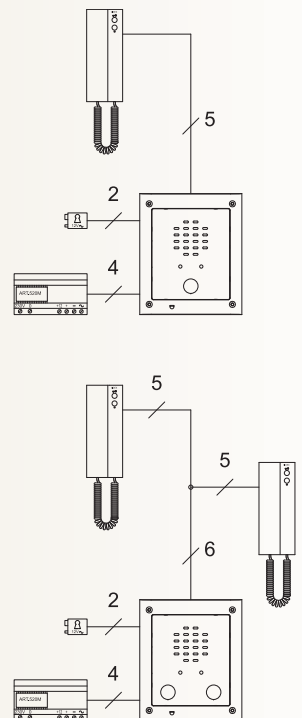
Packing: Cardboard 31x28x7 cm total weight 2.45 Kg.

#### VR4K-1S, VR4K-2S

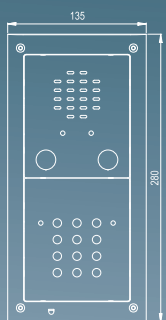
As door entry kits above but with surface mounting box Art.4881.

Packing: the same as the flush versions but with a total weight of 2.4 Kg for one button version and 2.8 Kg for two button version.

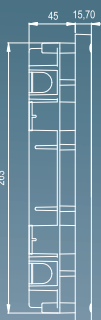
The module support frames are available in other finishes, **see picture 6 on page 29** for available versions and additional suffix to use for ordering.



VR4K-1S/CL



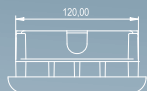
2 push button panel  
Posto esterno a 2 pulsanti



Flush  
Incasto



Surface  
Superficie



### VR4K/CL SERIES VANDAL RESISTANT DIGIPHONE KIT

As the VR4K audio kit with the addition of a VIDEX codelock module Art.VR4KCLM. This additional feature allows the user to open the door from outside by typing the relevant access code into the keypad.

#### VR4K-1/CL

One button flush door entry kit comprising of:

**1 Outdoor station** including a one button speaker unit module Art.VR4KAM-1, a digital codelock module Art.VR4KCLM (2 codes / 2 relays) and a flush mounting box with module support and hinge Art.4852. Standard finish: brushed stainless steel for the front plate and gun metal grey for the module support.

**1 Art.3111** 3000 Series wall mount telephone with "door open" and "service" push buttons and electronic call tone with 3 level adjustable volume control.

**1 Art.520M** Power Supply in a type A 8 module DIN box.

Packing: cardboard 41x29x7.5 cm total weight Kg. 3.0

#### VR4K-2/CL

As VR4K-1/CL but two call button version with a 2 call button speaker unit Art.VR4KAM-2 and 2 telephones.

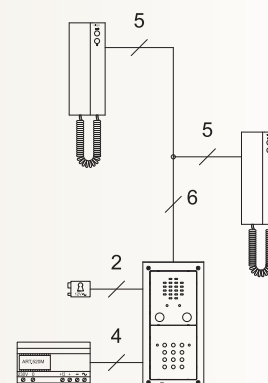
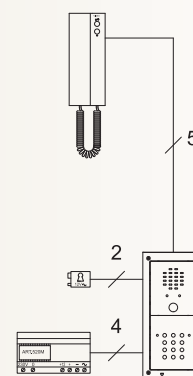
Packing: cardboard 41x29x7.5 cm total weight Kg. 3.35

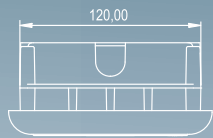
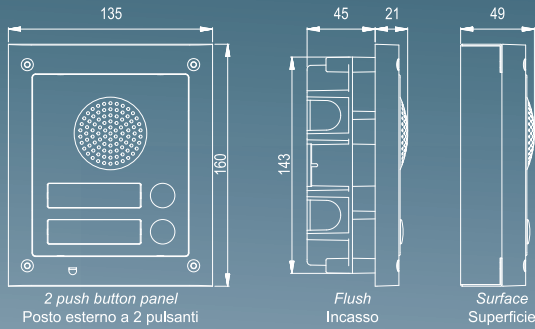
#### VR4K-1S/CL, VR4K-2S/CL

As kits above but with surface mounting box Art.4882.

Packing: the same as the relevant flush mount version but with total weight 3.5 Kg for one button version and 3.85 Kg for 2 button version.

The module support frames are available in other finishes, **see picture 6 on page 29** for available versions and additional suffix to use for orders.





4K-1S/GSM

**4K/GSM SERIES AUDIOKIT**

This range, of the 4000 series have been designed to operate using mobile phone technology with minimal installation time required. The system operates as follows:

- The visitor presses a button on the door panel to initiate a call.
- The door panel then dials the telephone number stored using the GSM network.
- If the call is answered, speech and services will be available such as door/gate release.

The Kit enables a call to be made from an entry point (door, gate, remote site or help point) to any telephone number (mobile or land line). The door panel is available with 1 or 2 call buttons (Expandable up to 50) each able to call two (up to five on system with up to 10 call buttons) pre programmed telephone numbers if the number is busy or not answered, the call will divert to the next). Programming of telephone numbers and additional features is carried out via text messaging or PC software. Additional access control features are also available, allowing a number of callers to open the gate/door simply by dialling the telephone number of the intercom panel (the intercom will not answer these calls but will activate the relay output at no charge to the caller). A SIM card is required for this product (NOT SUPPLIED). It is recommended to choose the SIM card which has best coverage for the area in which the intercom panel will be installed. Both contract and "Pay as you go" SIM cards can be used, if using "Pay as you go" we would recommend setting up an automatic top up to avoid loosing the use of the intercom panel through running short of credit. Features of the system include a dry contact relay output, open collector auxiliary output, push to exit input and switched 0V auxiliary input.

**4K-1/GSM**

**1 Outdoor station** including a one call button gsm speaker unit Art.4810N-1 and a flush mounting box with module support and hinge Art.4851. Standard finishes: mirror stainless steel for the front plate and gun metal grey for the module support.

**1 Art.432 GSM Aerial** comprised of connection cable and wall fix support plate.

**1 Art.AMR2-12** 12Vdc power supply in a type A 2 module DIN box  
Packing: box 29.5x29x7cm total weight 1.6 Kg.

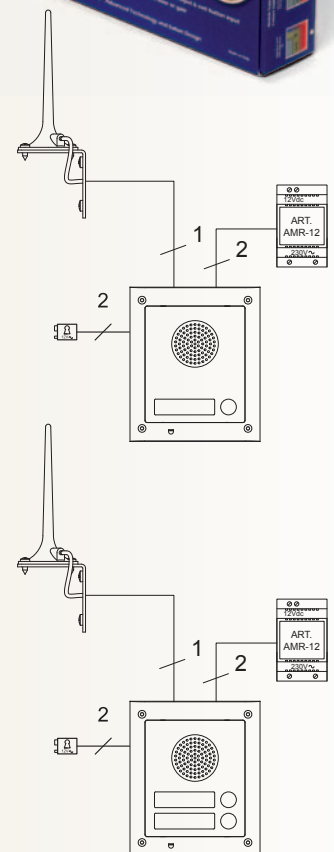
**4K-2/GSM**

As 4K-1/GSM but two button version with 2 call push button speaker unit Art.4810N-2.  
Packing: box 29.5x29x7cm total weight 1.6 Kg.

**4K-1S/GSM 4K-2S/GSM**

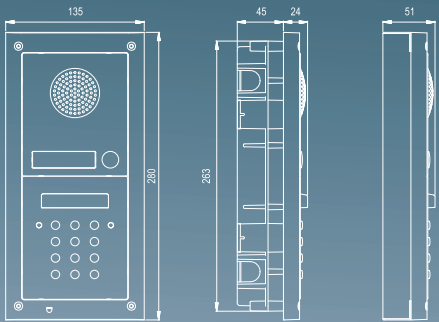
As door entry kits above but with surface mounting box Art.4881.  
Packing: the same as the flush versions but with a total weight of 1.9 Kg.

The module support frame and the module front plate are available in other finishes, **see pictures 5 and 6 on page 29** for available versions and additional suffix to use for orders





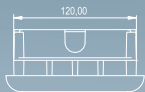
DK4K-1S/GSM



2 push button panel  
Posto esterno a 2 pulsanti

Flush  
Incasso

Surface  
Superficie



### DK4K/GSM INTERCOM KIT

As 4K/GSM audio kit with the addition of a VIDEX code lock module Art.4800. This additional feature allows the user to open the door from outside by typing the relevant access code into the keypad.

#### DK4K-1/GSM

One button flush door entry kit comprising of:

**1 Outdoor station** including a one call button gsm speaker unit Art.4810-1, a digital code lock module Art.4800 (3 codes / 3 relay outputs with keypad illumination) and a two modules flush mounting box with module support and hinge Art.4852 Standard finishes: mirror stainless steel for the front plate and gun metal grey for the module support.

**1 Art.432 GSM Aerial** comprised of connection cable and wall fix support plate.

**1 Art.AMR2-12** 12Vdc power supply in a type A 2 module DIN box

Packing: box 29.5x29x7cm total weight 2.4 Kg.

#### DK4K-2/GSM

As DK4K-1/GSM but two button version with 2 call push button gsm speaker unit Art.4810-2.

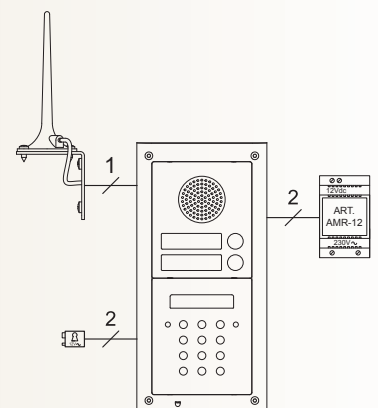
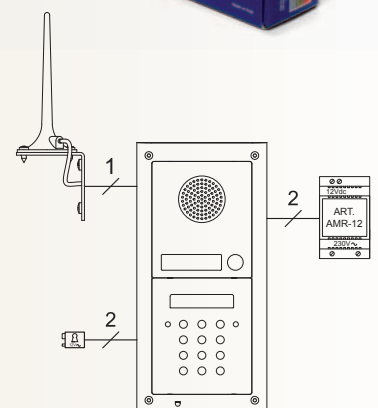
Packing: box 29.5x29x7cm total weight 2.4 Kg

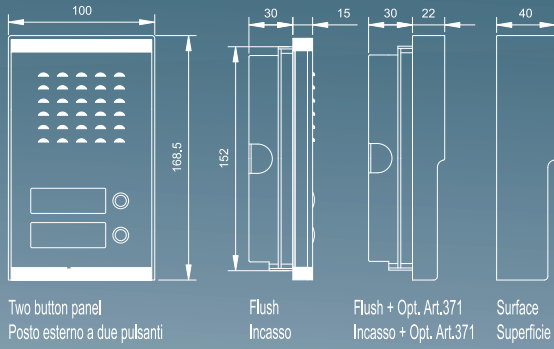
#### DK4K-1S/GSM DK4K-2S/GSM

As door entry kits above but with surface mounting box Art.4882.

Packing: the same as the flush versions but with a total weight of 2.8 Kg.

The module support frame and the module front plate are available in other finishes, **see pictures 5 and 6 on page 29** for available versions and additional suffix to use for orders.





SMK-1S/A



**SMART SERIES AUDIOKIT**

The circuitry of the outdoor stations provided with these kits, has a built-in lock relay to enable the electric lock. This reduces the cable requirements to only 4 wires ("3+1") between the outdoor station and the intercom and to use cables with reduced size over long distances.

**SMK-1**

One button door entry kit comprised of:

**1 Art.336E-1** One call button flush mounting outdoor station complete.

**1 Art.3011** 3000 Series Smart Line wall mount telephone with "door open" push button and electronic call tone with adjustable volume on 3 levels.

**1 Art.321** Power Supply in a type A 3 module DIN box.

Packing: box 30.5x29x7cm total weight 1.3 Kg.

**SMK-2**

As the SMK-1 kit but with 2 call push buttons outdoor station Art.336E-2 and 2 intercoms. Packing: box 41x39x7cm total weight 1.7 Kg.

**SMK-1S, SMK-2S**

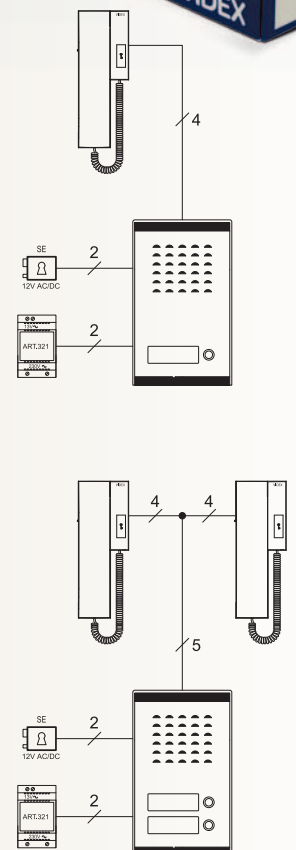
As the kits above but with surface mount outdoor station Art.336E-1S or 336E-2S.

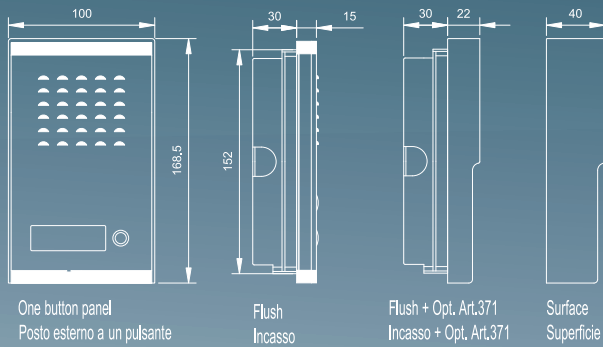
Packing: the same as above but total weight 1.5 Kg for one family version and 1.9 Kg for two button version.

For flush mounting outdoor station an optional rainshield Art.371 and surface mounting box Art.381 are available.

The outdoor station front plate and the optional rain shield are available in 3 different finishes: add /A to the product code for aluminium finish, /G for gold and /W for white.

For colours see picture 4 on page 28





One button panel  
Posto esterno a un pulsante

Flush  
Incastro

Flush + Opt. Art.371  
Incasso + Opt. Art.371

Surface  
Superficie



### SMART SERIES "TWO WIRE" KIT

This is a complete door entry system using only two wires between the door station and the indoor unit plus the facility for a second handset to be wired in parallel and an extension sounder. The intercom provided has a service push button.

#### ESK-1

One button door entry kit comprised of:

**1 Art.332** One call button flush mount outdoor station.

**1 Art.3151** 3000 Series wall mount telephone with "door open" push button, "service" push button and electronic call tone with adjustable volume on 3 levels.

**1 Art.321** Power Supply in a type A 3 module DIN box.

Packing: box 30.5x29x7cm total weight 1.3 Kg.

#### ESK-1S

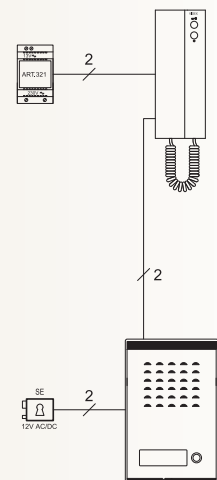
As door entry kit above but with surface mounting outdoor station Art.332S.

Packing: box 30.5x29x7cm total weight 1.5 Kg.

For flush mounting outdoor station an optional rainshield Art.371 and surface mounting box Art.381 is also available.

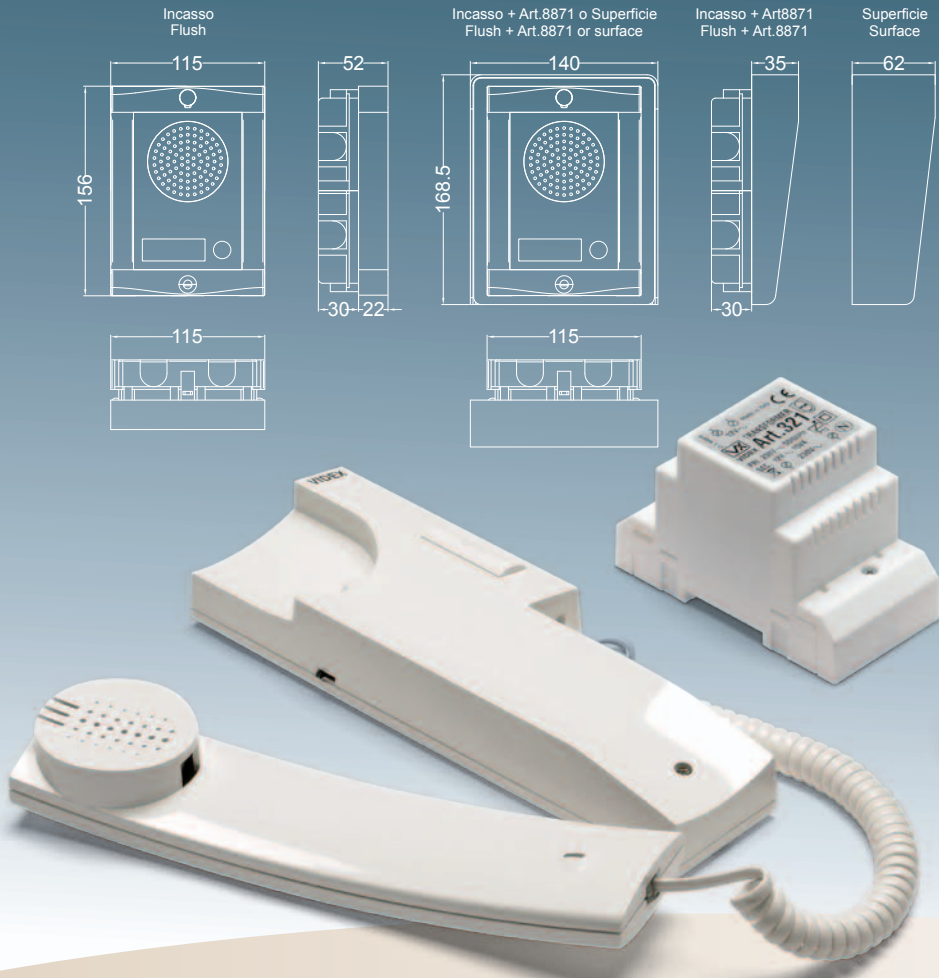
The outdoor station front plate and the optional rain shield are available in 3 different finishes: add /A to the product code for aluminium finish, /G for gold and /W for white.

For colours see pict. 4 on page 28



ESK-1S/A





8K-1S/A



**8000 SERIES AUDIOKIT**

The circuitry of the outdoor stations provided with these kits, has a built-in lock relay to enable the electric lock. This reduces the cable requirements to only 4 ("3+1") between the outdoor station and the intercom. This reduced cable requirement allows longer cable runs and reduced cable sizes to be used between the two units.

**8K-1**

One button door entry kit comprised of:

**1 Outdoor station** including a one call button speaker unit Art.8836M-1, flush mounting box with module support and hinge Art.8851 plus covering frame Art.8861. Standard finishes: mirror stainless steel for the front plate and aluminium for the module support.

**1 Art.3011** 3000 Series Smart Line wall mount telephone with "door open" push button and electronic call tone with adjustable volume on 3 levels.

**1 Art.321** Power Supply in a type A 3 module DIN box.

Packing: box 30.5x29x7cm total weight 1.4 Kg.

**8K-2**

As 8K-1 but two button version with 2 intercoms and 2 call push button speaker unit Art.8836M-2. Packing: box 41x39x7cm total weight 1.75 Kg.

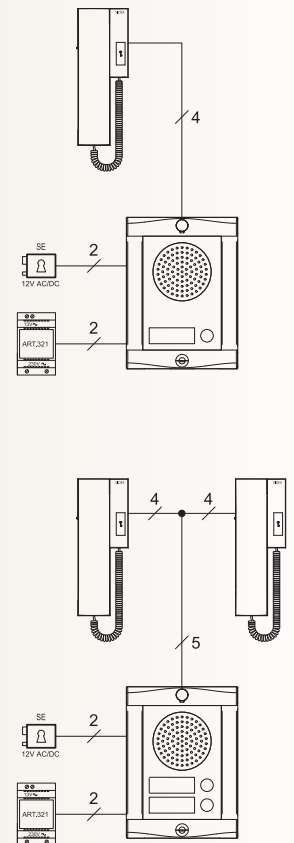
**8K-1S, 8K-2S**

As above door entry kits but with surface mounting box Art.8881.

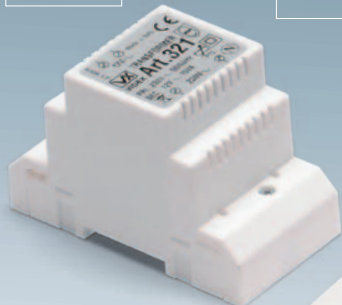
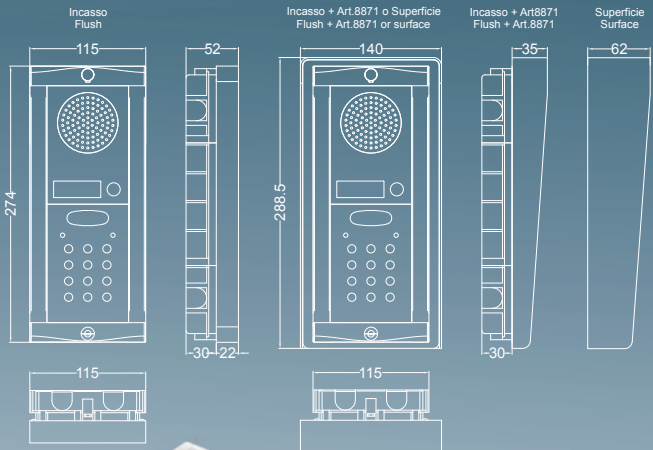
Packing: the same as the flush version but with a total weight of 1.85 Kg for one button version and 2.2 Kg for two button version.

For flush mounting outdoor station, a rainshield Art.8871 is available to install instead of the covering frame.

The module support, the module front plate and the rainshield are available in other finishes, see pictures 3 on page 28 for available versions and additional suffix to use for orders.



DK8K-1S/A/BL



**8000 SERIES DIGIPHONE KIT**

As 8K1 audio kit with the addition of a codelock module Art.8800.

**DK8K-1**

One button door entry kit comprised of:

**1 Outdoor station** including a one button speaker module Art.8836M-1, a digital codelock (Art.8800 Codelock module, 2 codes / 2 relays outputs with illumination panel), flush mounting box with module support and hinge Art.8852 plus covering frame Art.8862. Standard finishes: mirror stainless steel for the front plate and aluminium for the module support.

**1 Art.3011** 3000 Series Smart Line wall mount telephone with "door open" push button and electronic call tone with adjustable volume on 3 levels.

**1 Art.321** Power Supply in a type A 3 module DIN box.

Packing: box 30.5x29x7cm total weight 2.1 Kg.

**DK8K-2**

As DK8K-1 but two button version with 2 call button speaker unit Art.8836M-2 and 2 intercoms.

Packing: briefcase 40x32x9cm total weight 2.8 Kg.

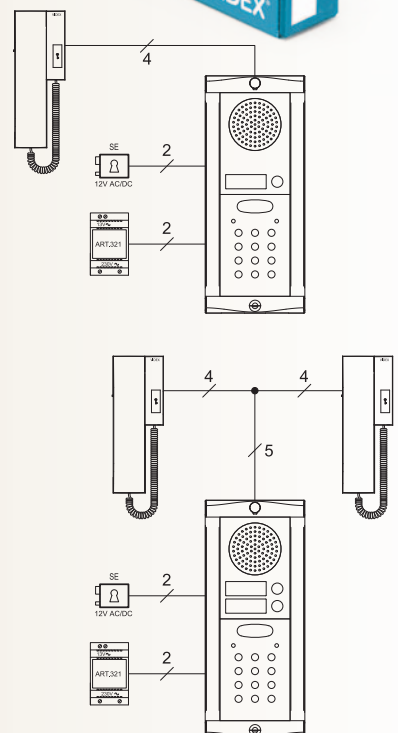
**DK8K-1S, DK8K-2S**

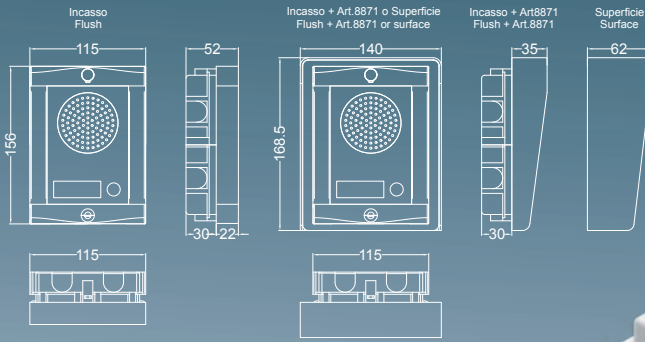
As kits above but with surface mounting box Art.8882.

Packing: the same as the relevant flush mount version but with total weight 2.6 Kg for one button version and 3.3 Kg for 2 button version.

For flush mounting outdoor station, an option rainshield Art.8872 is available instead of the covering frame.

The module support, the module front plate and the rainshield are available in other finishes, **see picture 3 on page 28** for available versions and additional suffix to use for orders





IK8K-1S/A

**INTERKIT**

Interkits, are available in one button and two button versions, the interkit forms a small intercommunicating system between 2 intercoms with an external call unit. The intercommunicating call is identified with an electronic tone and the external call unit with a buzzer. This feature provides an ideal solution for houses or offices which are on 2 different floors.

**IK8K-1**

One button door entry kit comprised of:

**1 Outdoor station** including a one call button speaker unit Art.88361-1, flush mounting box with module support and hinge Art.8851 plus covering frame Art.8861. Standard finishes: mirror stainless steel for the front plate and aluminium for the module support.

**2 Art.3002** 3000 series Smart line telephone with "Door open" and "Service" push buttons, buzzer call and electronic call tone with adjustable volume on 3 levels.

**1 Art.321** Power Supply in a type A 3 module DIN box.

Packing: briefcase 40x32x9cm total weight 2.1 Kg.

**IK8K-2**

As IK8K-1 but two button version with 2 call push button speaker unit Art.88361-2. The 2 intercoms are communicating but external calls are different for each phone.

Packing: as above total weight 2.1 Kg.

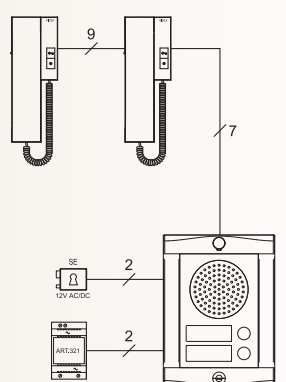
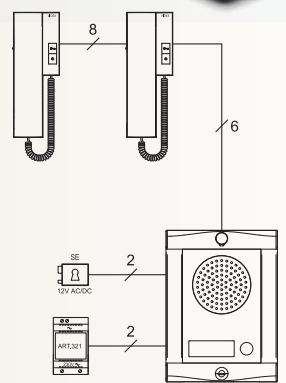
**IK8K-1S, IK8K-2S**

As door entry kits above but with surface mounting outdoor station.

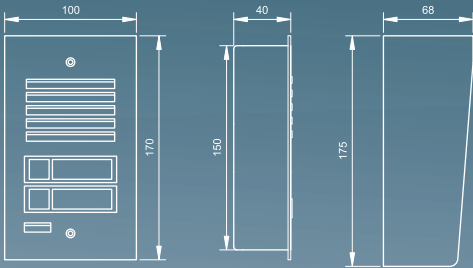
Packing: as above total weight 2.2 Kg.

For flush mounting outdoor station, a rainshield Art.8871 is available to install instead of the covering frame.

The module support, the module front plate and the rainshield are available in other finishes, **see picture 3 on page 28** for available versions and additional suffix to use for orders.







Two push button panel  
Posto esterno a due pulsanti

Flush  
Incasso

Surface  
Superficie

MK-1/A



**MK-1**

One button door entry kit comprised of:

- 1 One call button flush mount outdoor station in an aluminium finish Art.DU-1A.
- 1 Art.3021 3000 Series Smart Line wall mount telephone with "door open" push button and buzzer call.
- 1 Art.321 Power Supply in a type A 3 module DIN box.

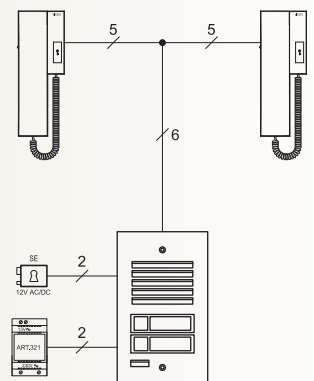
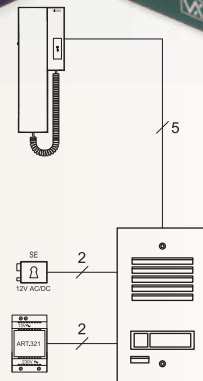
**MK-2**

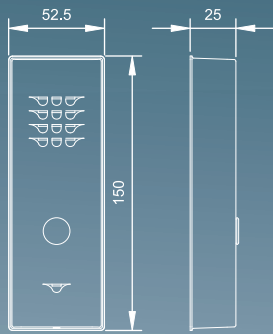
As MK-1 but two button version with 2 intercoms and 2 call push button outdoor station Art.DU-2A.  
Packing: box 30.5x29x7cm total weight 1.6 Kg.

Optionally a surface mount box for the outdoor station Art.SMB-M is available.

The outdoor station front plate and the surface mount box are available in 3 different finishes: add /A to the product code for aluminium finish, /G for gold and /W for white.

For colours see pict. 4 on page 28.





SLK

**SLIM KIT**

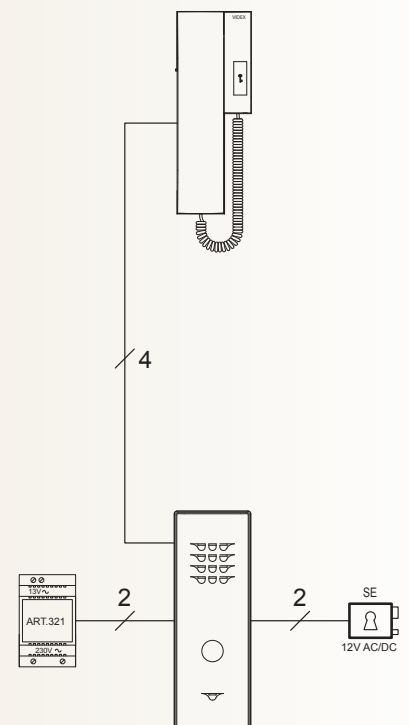
The SLIM KIT uses a completely new surface mounting outdoor station. The front panel, is of a slim design. The panel is manufactured from one piece of die-cast aluminium alloy which gives substantial strength to the outdoor station. The outdoor station circuitry has a built-in lock relay, this reduces the cable requirements to only 4 wires ("3+1") between the outdoor station and the intercom. The reduced cable requirement allows longer cable runs and reduced cable sizes to be used between the two units. The outdoor station is provided with a 3mt length cable.

**SLK**

One button door entry kit comprised of:

- 1 Art.436 Surface mount slim line outdoor station with built in lock relay.
- 1 Art.3011 3000 Series Smart Line wall mount telephone with "door open" push button and electronic call tone with adjustable volume on 3 levels.
- 1 Art.321 Power Supply in a type A 3 module DIN box. 1

Packing: box 24.5 x 25.5 x 6.5 cm total weight 1.5 Kg



Ordering kits or spare parts, please, specify the finishes as shown here

Pict. 1

FRONT PLATE FINISHES

**/W - White**



**/G - Gray**



Put /G after code for Gray finish or /W for White finish.

SMART SERIES VIDEOKIT

pag. 11

Pict. 2

FRONT PLATE FINISHES

**Standard version**  
Mirror stainless steel



**/A - Aluminium**



MODULE SUPPORT PLUS RAINSHIELD AND SURFACE MOUNTING BOX FINISHES

**Standard version**  
Aluminium



**/BL - Black**



When ordering other than standard version put /A after code for Aluminium front plate and/or /BL for black module support plus rainshield or surface mounting box.

8000 SERIES VIDEOKIT

pag. 12

8000 SERIES VIDEOCODE KIT

pag. 13

Pict. 3

FRONT PLATE FINISHES

**Standard version**  
Mirror stainless steel



**/A - Aluminium**



MODULE SUPPORT

**Standard version**  
Aluminium



**/BL - Black**



MODULE SUPPORT PLUS RAINSHIELD AND SURFACE MOUNTING BOX FINISHES

**Standard version**  
Aluminium



**/BL - Black**



RAINSHIELD (optional) FINISHES

**/A - Aluminium**



**/BL - Black**



When ordering other than standard version put /A after code for Aluminium front plate and/or /BL for black module support or surface mounting box.

8000 SERIES AUDIOKIT

pag. 23

8000 SERIES DIGIPHONE KIT

pag. 24

INTERKIT

pag. 25

Pict. 4

FRONT PLATE FINISHES

**/A - Aluminium**



**/G - Gold**



**/W - White**



Put /A after code for Aluminium finish, /G for gold or /W for white.

SMART SERIES AUDIOKIT

pag. 21

"TWO WIRE" KIT

pag. 22

MINI KIT

pag. 26



Ordering kits or spare parts, please, specify the finishes as shown here

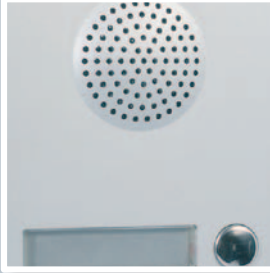
Pict. 5

FRONT PLATE FINISHES

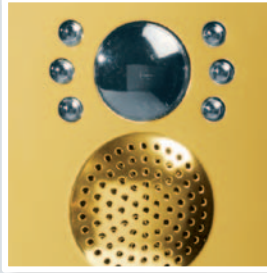
**Standard version**  
Mirror finish stainless steel



**/A - Anodized aluminium**



**/HB - PVD High Brass**



When ordering other than standard version (Stainless Steel), put /A after code for Aluminium or /HB for PVD High Brass.

4000 SERIES "TWO WIRE" VIDEOKIT	pag. 4-5
4000 SERIES VIDEOKIT	pag. 6
4000 SERIES VIDEOCODE KIT	pag. 7
4000 SERIES VIDEPROX KIT	pag. 8
4000 SERIES AUDIOKIT	pag. 14
4000 SERIES DIGIPHONE KIT	pag. 15
4000 SERIES VPROXPHONE KIT	pag. 16
4000 SERIES GSM AUDIOKIT	pag. 19
4000 SERIES GSM DIGIPHONE KIT	pag. 20

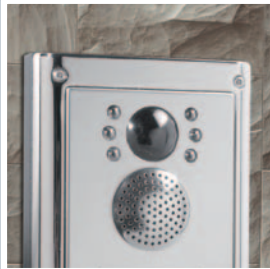
Pict. 6

MODULE SUPPORT FRAME FINISHES

**Standard finish - Embossed metallized gun-metal grey**



**/C - Silver chromium plating**



**/G - Gold chromium plating**



When ordering other than standard version (Gun metal grey), put /C after code for Silver Chromium or /G for Gold chromium.

4000 SERIES "TWO WIRE" VIDEOKIT	pag. 4-5
4000 SERIES VIDEOKIT	pag. 6
4000 SERIES VIDEOCODE KIT	pag. 7
4000 SERIES VIDEPROX KIT	pag. 8
4000 SERIES VANDAL RESISTANT VIDEOKIT	pag. 9
4000 SERIES VANDAL RESISTANT VIDEOCODE KIT	pag. 10
4000 SERIES AUDIOKIT	pag. 14
4000 SERIES DIGIPHONE KIT	pag. 15
4000 SERIES VPROXPHONE KIT	pag. 16
4000 SERIES VANDAL RESISTANT AUDIOKIT	pag. 17
4000 SERIES VANDAL RESISTANT DIGIPHONE KIT	pag. 18
4000 SERIES GSM AUDIOKIT	pag. 19
4000 SERIES GSM DIGIPHONE KIT	pag. 20

Pict. 7

5000 SERIES VIDEOPHONE FINISHES

**Standard finish - White**



**/CR - Silver**



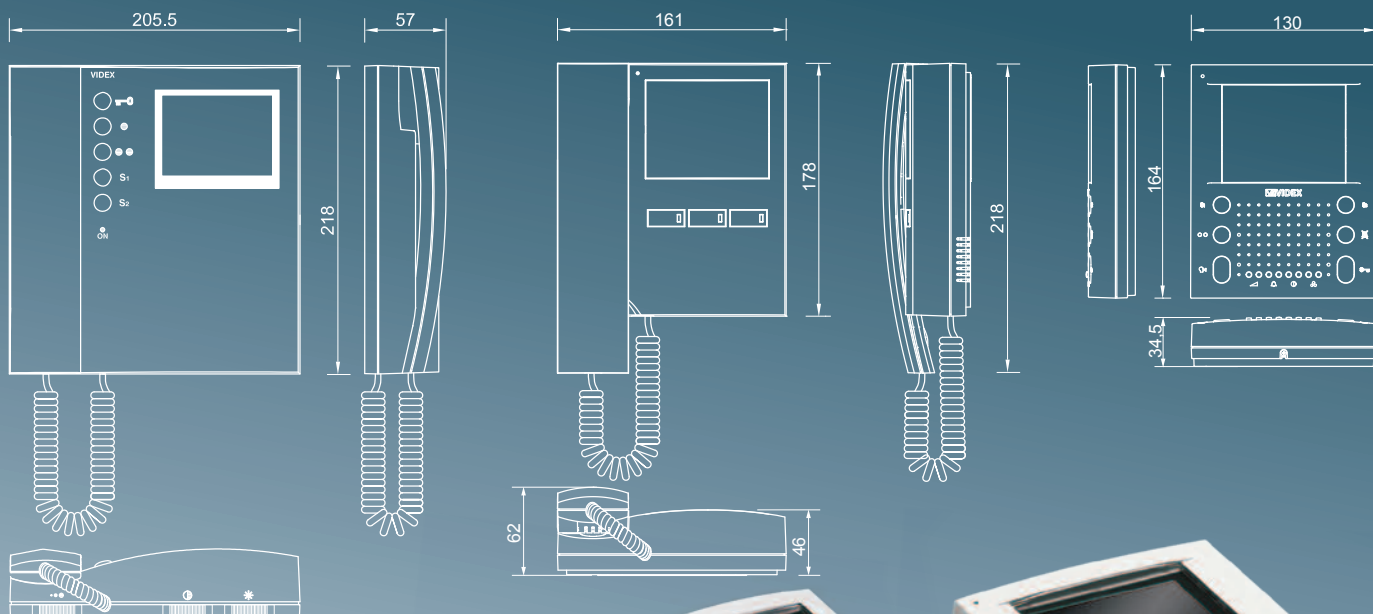
**/CA - Carbon Fibre Effect**



When ordering other than standard version (White), put /CR after code for Silver, /CA for Carbon Fibre Effect

ALL ECLIPSE LINE VIDEOKITS

## VIDEOPHONES



**Art. 3356**  
**Art. 3381**  
**Art. 3456**  
**Art. 3481**



**Art. 3656**  
**Art. 3688**



**Art. SL5456**  
**Art. SL5488**

### **Art. SL5488 (for CESVK series VIDEOKIT)**

Colour hands free video monitor with 3,5" LCD TFT monitor, "door open/intercommunication", "answer/camera recall", "privacy on/off" push buttons, "button to activate the relays for additional services" and 2 service buttons. The videophones have also 4 LEDs which indicates the buttons functioning.

controls : loud speaker volume, call tone volume, picture brightness and hue.

Programmable melody, number of rings and privacy duration. Electronic call tone and active low inputs for local bell and alarm. Add /ECLIPSE to the standard code to order the kit with this video monitor.

### **Art. 3688 (for CESVK series VIDEOKIT)**

Videophone using 3,5" full colour active matrix LCD monitor.

Including 3 buttons ("door-open/intercommunication", "camera-recall" and "privacy/call reject/service") plus 3 LED's ("ON", "Door Open" and "Privacy") for visual indication of all functions.

Programmable options: privacy duration and number of rings.

Controls: call tone volume (3 position: low, standard and high), picture brightness and hue.

Also includes a local bell function.

The Art. 3688 is surface mount and requires the Art. 5980 connection board and wall mounting plate.

This is the standard videophone provided with CESVK series videokit.

### **Art. SL5456 (for CVK4K, CVR4KV and CVK8K series VIDEOKIT)**

Colour hands free video monitor with 3,5" LCD TFT monitor, "door open/intercommunication", "answer/camera recall", "privacy on/off" and 3 service buttons, plus 4 LEDs indicating the functioning of the push buttons.

Programmable melody, number of rings and privacy duration.

Controls : melody volume, speech volume, picture brightness and hue.

Interface to connect a parallel "4+1" standard intercom. Add /ECLIPSE to the standard code to order the kit with this monitor.

### **Art. 3656 (for CVK4K, CVR4KV and CVK8K series VIDEOKIT)**

Videophone using 3,5" full colour active matrix LCD monitor.

Including 3 buttons ("door-open/intercommunication", "camera-recall" and "privacy/call reject/service") plus 3 LED's ("ON", "Door Open" and "Privacy") for visual indication of all functions.

Programmable options: privacy duration and number of rings.

Controls: call tone volume (3 position: low, standard and high), picture brightness and hue.

Also includes a local bell function.

The Art. 3656 is surface mount and requires the Art. 5980 connection board and wall mounting plate.

This is the standard videophone provided with CVK4K, CVR4KV and CVK8K series videokit.

To order videokits with old 3000 series videophones (available until end of stock), please put a specific note in your order.

Please, contact our Export Department in order to know the price difference due to the videophone models.





From the end of 2005  
VIDEX has achieved  
the ISO 9001  
System Certification



Although every effort has  
been made to provide  
accurate information,  
there may be technical or  
print errors in this catalogue.  
Videx reserves the right to  
make changes, corrections  
and improvements to such  
information at any time and  
without notice







Cert. N. IT05/1217



**Factory Office:**

VIDEX ELECTRONICS S.p.A.  
Via del Lavoro, 1  
63846 Monte Giberto (FM) - ITALY  
Phone: (+39) 0734 631669  
Fax (+39) 0734 632475  
[www.videx.it](http://www.videx.it)  
e-mail: [info@videx.it](mailto:info@videx.it)



**Main UK Office:**

VIDEX SECURITY LTD  
1 Osprey Trinity Park  
Trinity Way  
LONDON E4 8TD  
Phone: (+44) 0870 300 1240  
Fax: (+44) 0208 523 5825

[www.videx-security.com](http://www.videx-security.com)  
[info@videx-security.com](mailto:info@videx-security.com)

**Northern UK Office:**

VIDEX SECURITY LTD  
Unit 4-7  
Chillingham Industrial Estate  
Chapman Street  
NEWCASTLE UPON TYNE  
NE6 2XX  
Tech Line: (+44) 0191 224 3174  
Phone: (+44) 0870 300 1240  
Fax: (+44) 0191 224 1559

**Greece Office:**

VIDEX HELLAS ELECTRONICS  
48 Filolaou Str.  
11633 ATHENS  
Phone: (+30) 210 7521028  
(+30) 210 7521998  
Fax: (+30) 210 7560712

[www.videx.gr](http://www.videx.gr)  
[videx@videx.gr](mailto:videx@videx.gr)

**Danish Office:**

VIDEX DANMARK  
Hammershusgade, 15  
DK-2100 COPENHAGEN  
Phone: (+45) 39 29 80 00  
Fax: (+45) 39 27 77 75

[www.videx.dk](http://www.videx.dk)

**Benelux Office:**

VIDEX BENELUX  
E3 laan, 93  
B-9800 DEINZE  
Phone: (+32) 9 380 40 20  
Fax: (+32) 9 380 40 25

[www.videxbenelux.be](http://www.videxbenelux.be)  
[info@videxbenelux.be](mailto:info@videxbenelux.be)