
PORTAL PLUS SYSTEM

PC BASED NETWORKABLE ACCESS CONTROL

The Portal Plus system is a networkable access control system with windows based PC programming and management software (PROS CS) with support for up to 15,000 users and unlimited entrances. It allows greater flexibility in the design and installation of an access control system having a modular design and



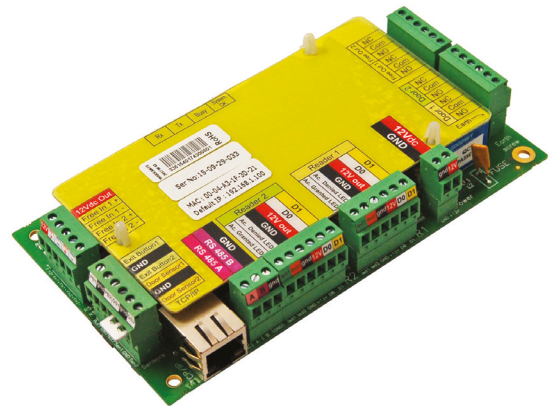
facilities for proximity, bio access and coded access readers.

The system is based on 2 door controllers (EWSi) that are housed in a lockable cabinet with an integral 13.8Vdc 3.5A switched mode power supply (PPCU2) and including an Ethernet connection (TCP/IP) allowing controllers to be connected to a LAN or WAN with the potential expansion to unlimited doors and unlimited distances. Additionally an RS485 bus connection is included on the controller that will link additional controllers to the same Ethernet connection. The integration of door monitoring, push to exit button inputs, free

inputs, free outputs and 16 status LED's all help make this a simple to install yet extremely flexible system.

2 Door Controller EWSi

- Up to 15,000 users;
- Up to 30,000 events per controller (unlimited per system);
- Built-in TCP/IP Ethernet connection (also includes RS485 connection);
- Programmable Wiegand interface (8 to 128 bit);
- 2 free inputs, 2 exit button inputs and 2 door sensor inputs;
- 2 free outputs and 2 door relay outputs;
- 2 configurable Wiegand reader inputs.



The system also benefits from distributed intelligence allowing the system to continue functioning even during times of network problems. Both anti-pass back and mantrap options are available as standard as are free inputs and outputs that can be programmed as per an installation or user requirement. The PROS CS software is a user friendly windows based PC software that allows the adding, editing or deletion of users and includes finger print enrolment integrated in the software. The PROS CS software comes free with the PPCU2 control cabinet and is packed with features including event logs, reports, user management and time & attendance.

THE PROS CS SOFTWARE

There are three parts to the PROS CS software:

PROS CS SERVER

The server software would be installed on one PC along with the client program which would connect to the Portal Plus hardware either via a network (TCP/IP) connection or through an RS485 bus to USB. A USB dongle is not required for the software installed on the server PC. On simple installations the client and server will be installed together on one PC.

PROS CS CLIENT

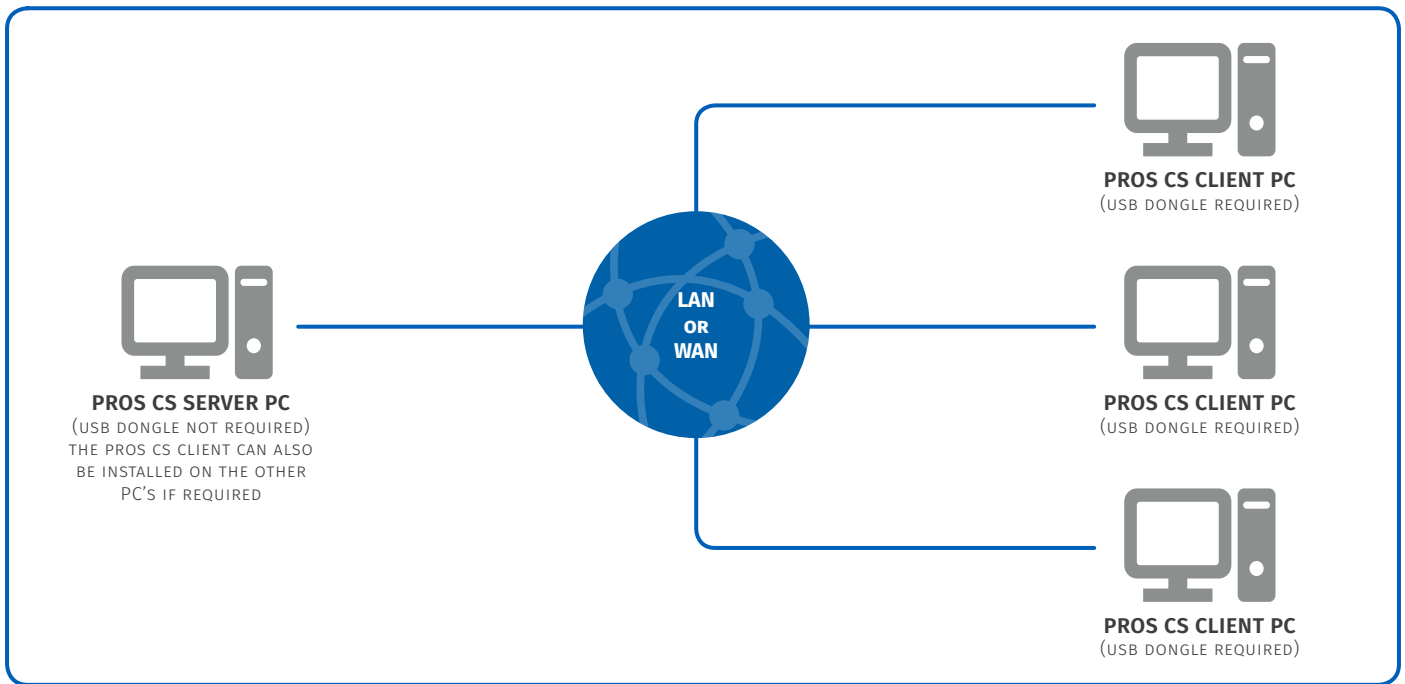
The client software can be installed on a number of PC's either local to the server PC or remotely via the internet. A USB dongle is required for each client PC. The client environment looks and feels like the PROS CS software allowing all features to be controlled. Client access levels can be setup to restrict users access to certain features.

PROS CS WEBSERVER

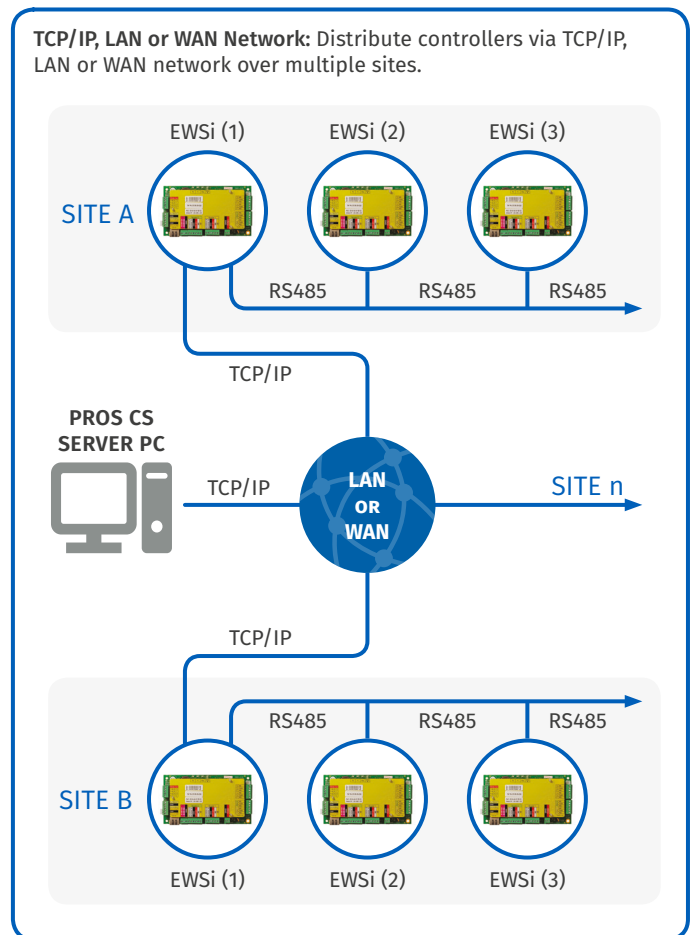
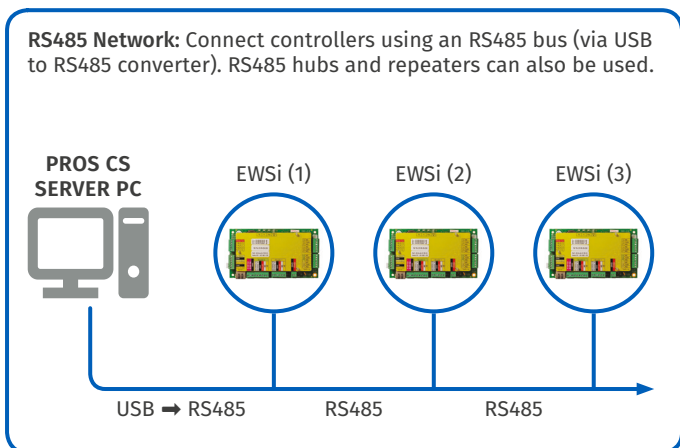
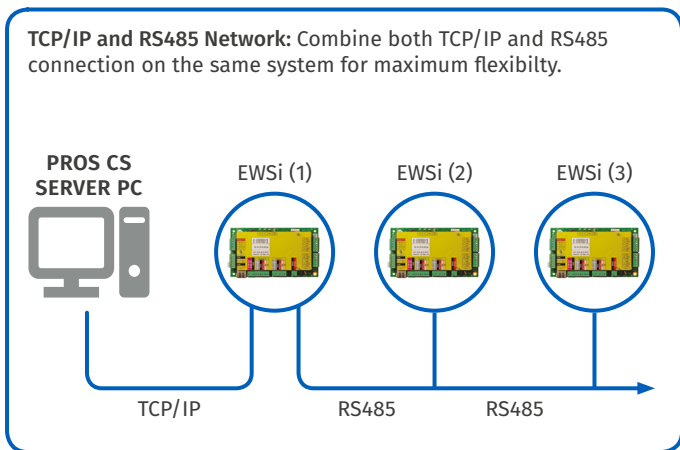
The webserver is optional and enables users to view and generate reports from a standard web browser. A useful feature of this is the ability to allow each user the facility to view their own reports while allowing operators to view reports of all users.

FEATURES OF PROS CS SOFTWARE

Feature	Detail	Feature	Detail
Compatible with	Windows XP SP3, Windows Server 2003, Windows Server 2008, Windows Vista, Windows 7, Windows 8 and Windows 10	Number of Time Zones	24 per EWSi, unlimited per system
Max. number of controllers (EWSi)	Unlimited	Number of Departments	Unlimited
Max. number of doors	Unlimited	Number of Holidays	32 per EWSi
Max. number of sites	Unlimited	Easy Programming	A scanning feature enables all controllers and biometric readers on one or several communication portals to be found
Max. number of Clients	Unlimited	Reports	Preset and configurable, export to PDF, XLS, CSV, XML, HTML, TXT and RTF
Database format	SQL or Access	Send Reports by email	Yes
Anti-passback	Yes; Timed APB; APB per user	Events visualisation	Chronological order
Mantrap function	Yes	Biometric Readers	Biometric reader programming and users fingerprint management integrated into software
Door open by multiple fobs/cards	1 to 8 fobs/cards	Time & Attendance calculation	Yes
Activation of several relays from one reader	Yes	Web Report Server	Yes
Remote relay activation	Any relay	Automatic Evacuation Report	Yes
Reader Wiegand Protocol	26, 34 Bit or customized Wiegand can be mixed in the same systems or EWSi	Multi-Language	EN, FR, NL, DE, ESP, IT, PT, PL, CZ
Number of Access levels	Unlimited	SDK (software development kit) available	Yes, with C# and visual basic examples



SYSTEM CONFIGURATIONS



A range of readers are available (proximity, coded access and bio access), all in the same robust design including an illuminated touch to exit button range. The extensive range of reader modules are also available for the Vindex 4000, VR4K and VR series entrance panels allowing full integration with an intercom system.

Use the following step by step guides and tables to help build up a Portal Plus system suitable for your requirements.

STEP 1 - READER SELECTION (REFER TO TABLES FOR MORE OPTIONS)

PROXIMITY READER



MTPXS-M, MTPXS-MF (MIFARE) & EM READERS

CODED ACCESS KEYPAD



MTPADS-M

FINGER PRINT READER



BIOCS-M

DUAL TECHNOLOGY READER

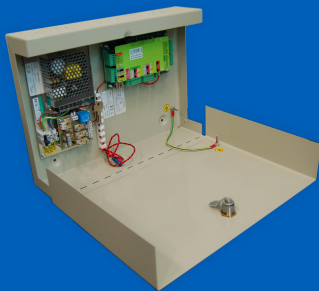


BIOPROXS-EM & BIOPROXS-MF (MIFARE)



STEP 2 - NO. OF CONTROLLERS & PROS CS CLIENT SELECTION

PORTAL PLUS CABINET (INC. FREE PROS CS SERVER SOFTWARE)



PPCU2, ONE REQUIRED FOR EVERY TWO READERS

PROS CS CLIENT USB DONGLE



CS/USBKEY, ONE REQUIRED FOR EVERY CLIENT PC (NOT INCLUDING THE SERVER)



STEP 3 - FOB & CARD SELECTION (REFER TO TABLES FOR MORE OPTIONS)

FOB



PBX-1E, PBX-1E-MU (MIFARE)

THIN CARD



PBX-2, PBX-2-MU (MIFARE)

THICK CARD



PBX-2C, PBX-2C-MU (MIFARE)



STEP 4 - OPTIONAL ACCESSORIES (REFER TO TABLES FOR MORE OPTIONS)

EXIT BUTTON



MTTS-EXIT

DESK MOUNT ENROLMENT PROXIMITY READER



PROX-USB

DESK MOUNT ENROLMENT FINGER PRINT READER & PROXIMITY READER



BIOPROX-USB

USB/RS485 CONVERTER



481

TABLE A - Proximity Readers

MTPXS-M	IP65, surface Wiegand (125kHz) proximity reader, silver
MTPXS-MF-W26	IP65, surface Mifare Wiegand 26 bit (classic, ultralight & desfire 13.56MHz) prox. reader, silver
MTPXS-MF-W34	IP65, surface Mifare Wiegand 34 bit (classic, ultralight & desfire 13.56MHz) prox. reader, silver
DINMTPX-M-E	Proximity reader electronics (EM) with Wiegand output (requires DINFP face plate, see TABLE E and steps on page 6)
DINMTPX-MF-E	Proximity reader electronics (Mifare) with Wiegand output (requires DINFP face plate, see TABLE E and steps on page 6)
MINI-M	Mini surface black ABS proximity reader (125kHz)
MINI-MF-W26	Mini surface black ABS Mifare Wiegand 26 bit prox. reader (classic, ultralight & desfire 13.56MHz)
MINI-MF-W34	Mini surface black ABS Mifare Wiegand 34 bit prox. reader (classic, ultralight & desfire 13.56MHz)
VPROX2-M	IP67, surface vandal resistant Wiegand proximity reader, aluminium chrome matt
4849PP	4000 series module Wiegand proximity reader
VR4KPPM	VR4K series module proximity reader
VR4KEMP	VR4K series module EM proximity reader with Wiegand output
VR4KMFP	VR4K series module Mifare proximity reader with Wiegand output
XPROX	Panel mount proximity reader



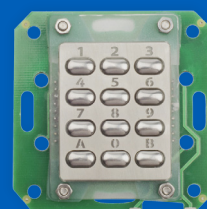
MINI-M



MTPXS-MF-W34

TABLE B - Coded Access Keypads

MTPADS-M	IP65, surface Wiegand coded access keypad, silver
DINPAD-M-E	Coded access electronics with Wiegand output (requires DINFP face plate, see TABLE E and steps on page 6)
VR4KPAD	VR4K series module back lit coded access with Wiegand output



DINPAD-M-E



MTPADS-M

TABLE C - Finger Print Readers (BIO)

BIOCS	IP54 (internal use only), surface Wiegand finger print reader (9500 templates), silver
B100S	Surface Wiegand swipe finger print reader (100 templates), silver
DINBIOC	Finger print reader electronics (9500 templates) with Wiegand output (requires DINFP face plate, see TABLE E and steps on page 6)
DINB100-E	Swipe finger print reader electronics (100 templates) with Wiegand output (requires DINFP face plate, see TABLE E and steps on page 6)
VR4KBIO	VR4K series module finger print reader (9500 templates) with Wiegand output



BIOCS



B100S

TABLE D - Surface Dual Technology Readers*

BIOPROXS-EM	IP65, finger print reader with EM proximity reader, silver
BIOPROXS-MF	IP65, fingerprint reader with Mifare proximity reader, silver
BIOPADS-M	IP65, finger print reader with Wiegand coded access, silver
PADPROXS-EM	IP65, Wiegand coded access with EM proximity reader, silver
PADPROXS-MF	IP65, Wiegand coded access with Mifare proximity reader, silver

* for flush dual readers a combination of the following reader electronics: DINMTPX-M-E, DINMTPX-MF-E, DINPAD-M-E, DINBIOC and DINB100-E can be used in conjunction with one another along with the required horizontal or vertical double gang DINFP face plate (refer to TABLE E and steps on page 6 for further information).

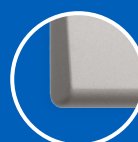


PADPROXS-EM

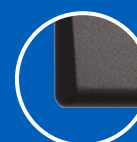
TABLE E - Single & Double Gang Flush Face Plates

DINFPS	Single gang flush face plate, silver
DINFPC	Single gang flush face plate, charcoal
DINFPW	Single gang flush face plate, white
DINFV2S	Double gang flush face plate (vertical), silver
DINFV2C	Double gang flush face plate (vertical), charcoal
DINFV2W	Double gang flush face plate (vertical), white
DINFH2S	Double gang flush face plate (horizontal), silver
DINFH2C	Double gang flush face plate (horizontal), charcoal
DINFH2W	Double gang flush face plate (horizontal), white

The DINFP series face plates are available in 3 different colours silver, charcoal and white



silver



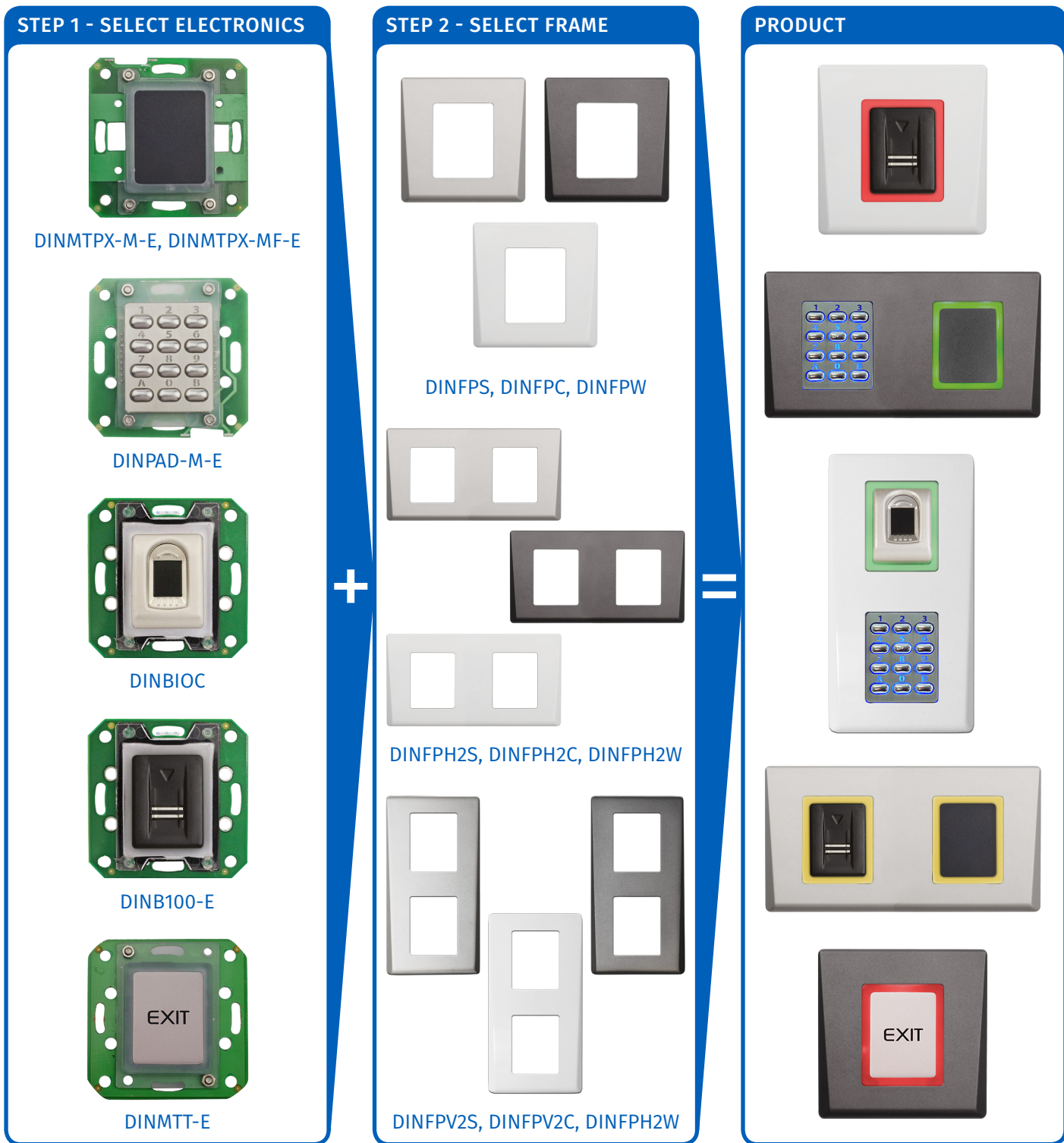
charcoal



white

Flush, Single or Dual, Technology Reader Selection

By selecting any of the reader electronics from the previous TABLES and a suitable DINFP face plate from TABLE E, a single or dual flush reader can be created as desired.



Reader electronics and DINFP face plates are designed to fit standard single gang flush boxes

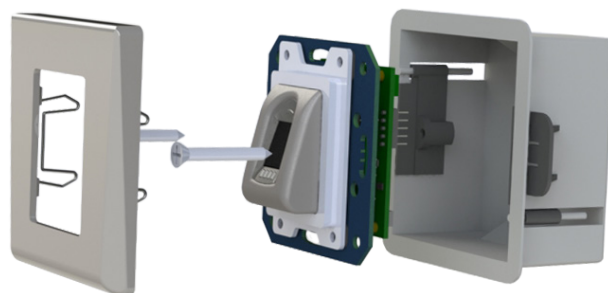


TABLE F - Proximity Fobs & Cards

PBX-1E	ABS fob EM format 125kHz
PBX-1E-MU	ABS fob Mifare format
PBX-2	Thin card (0.75mm ²) EM format 125kHz
PBX-2-MU	Thin card (0.75mm ²) Mifare format
PBX-2C	Thick card (2.0mm ²) EM format 125kHz
PBX-2C-MU	Thick card (2.0mm ²) Mifare format



Proximity fobs and cards available for both EM4100 (125kHz) and Mifare formats

TABLE G - Exit Buttons and Controls

MTTS-EXIT	IP65, surface touch to exit button, silver
DINMTT-E	Touch to exit button electronics (requires DINFP face plate, see TABLE E and steps on page 6)
PPCU2	Portal Plus control cabinet with 2 door EWSi controller, 13.8Vdc 3.5A switch mode PSU (includes free PROS CS software)
CS/USBKEY	Pros CS Client USB dongle (one required for each additional Client PC)



TABLE H - Accessories

PROX-USB	Desk mount USB proximity reader (EM, Mifare & HID)
BIOPROX-USB	Desk mount USB finger print & proximity reader (EM, Mifare & HID)
B100PROX-USB	Desk mount USB swipe finger print & proximity reader (EM, Mifare & HID)
MC-MINI	Stainless steel protective shroud (single)
MCD-MINI	Stainless steel protective shroud (double)
481	USB/RS485 converter
I-7513	RS485 splitter/repeater (3 outputs)



B100PROX-USB



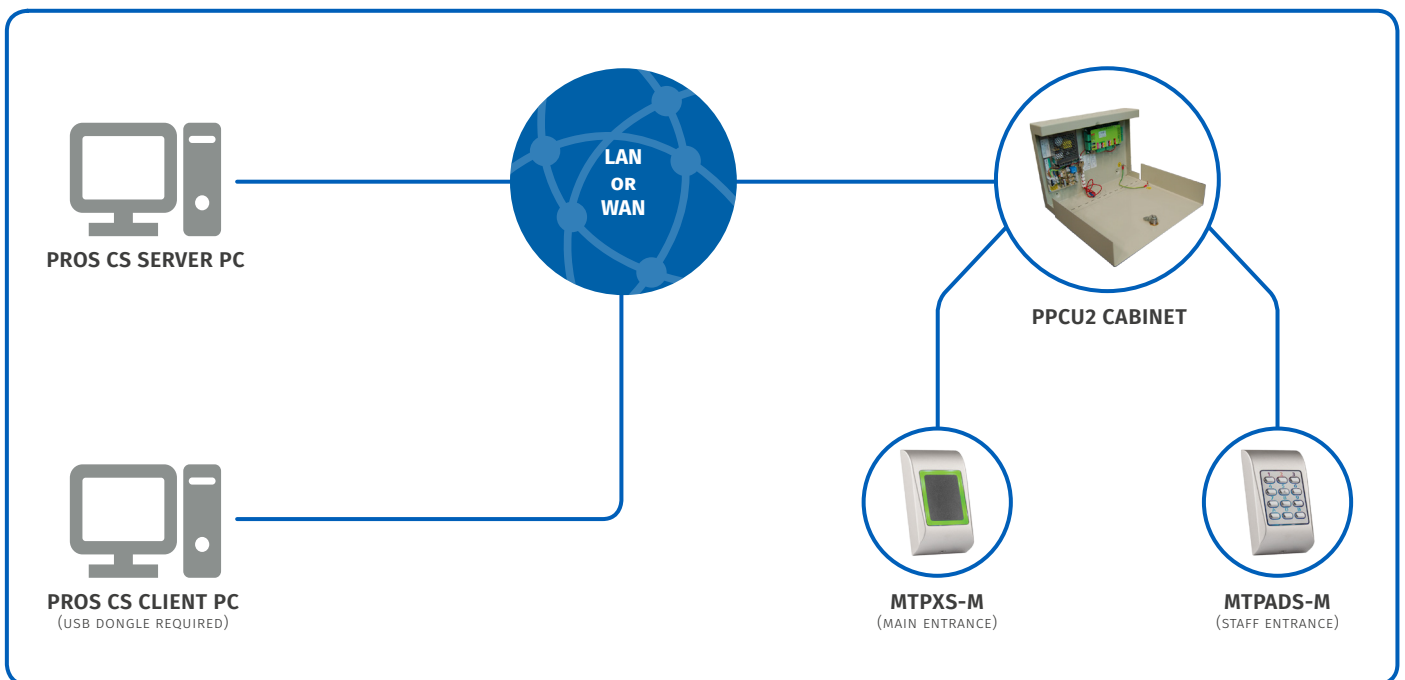
MC-MINI



MCD-MINI



I-7513





Southern Office

1 Osprey, Trinity Park,
Trinity Way, London,
E4 8TD

T 0870 300 1240 • F 020 8523 5825

Northern Office

Unit 4-7 Chillingham Ind. Estate,
Chapman Street,
Newcastle Upon Tyne, NE6 2XX

T 0870 300 1240 • F 0191 224 1559

sales@videxuk.com • tech@videxuk.com

