

DC118

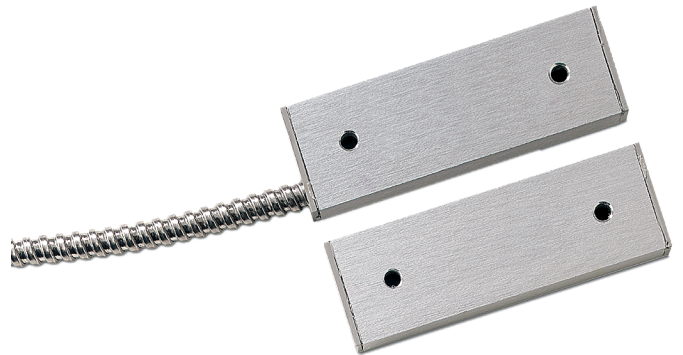
Surface - overhead - door mount contact - wide gap

Industrial Contact

The DC115/DC118 are designed to be installed in commercial and industrial environments where a rugged sealed unit is required. It is ideal for metal doors, overhead doors, fences and gates. Each model features a high strength extruded aluminium housing and is completely encapsulated in an exclusive polyurethane potting compound.

Comprehensive Range

The range features wide gap distances and several models to meet any application need. Armoured cable is available.



Details

- Mounting brackets available for gates, garage doors, freezers
- Rugged construction for long life
- Convenient surface mounting
- 2 m armoured cable
- Tamper loop provided
- DC115 is polarity-sensitive with reference to magnet direction

DC118

Surface - overhead - door mount contact - wide gap

Technical specifications

General

Application type	Overhead
Contact type	NC
Connectivity	4 wires, 2 m

Wired/wireless

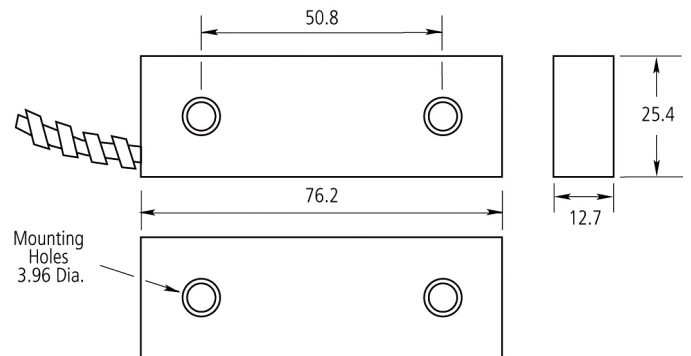
Wired-wireless	Wired
----------------	-------

Physical

Dimensions magnet	76 x 12 x 25 mm
Dimensions contact / sensor	76 x 12 x 25 mm
Operating gap	75 mm

Standards & regulation

EN50131 grade	Grade 2
---------------	---------



As a company of innovation, UTC Fire & Security reserves the right to change product specifications without notice. For the latest product specifications, visit UTC Fire & Security online or contact your sales representative.