

DC110

BIASED FLOOR MOUNT CONTACT

Overhead Door Magnetic Contact

The DC110 overhead door magnetic contact is for use in the rigorous environments for commercial and industrial installations. The floor mount units are constructed with a low profile heavy cast aluminium housing. The reed switch assembly is fully encased in an exclusive polyurethane potting material to prevent damage due to moisture or humidity.

Easy Installation

A wide operating gap distance makes installation easy and helps prevent false alarms caused by door movement or damaged and loose fitting doors.



Details

- Miniature, low-profile design
- Stainless steel armoured cable for added security, reliability
- Small size less likely to be damaged by forklifts
- Tamper loop provided

DC110

BIASED FLOOR MOUNT CONTACT

Technical specifications

General

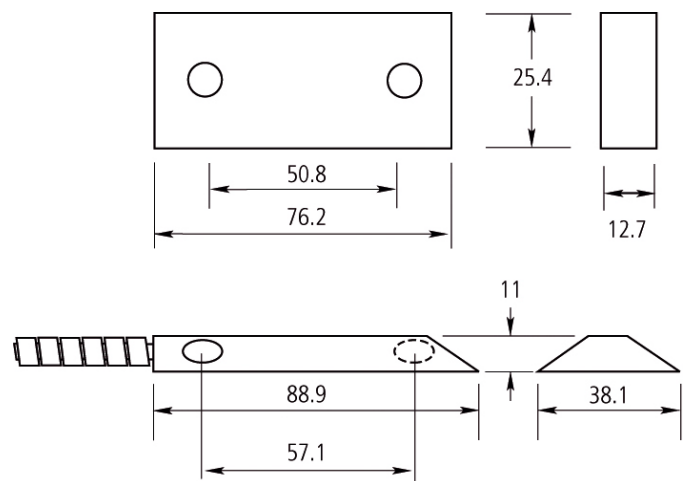
Application type	Surface Mount
Contact type	CO
Connectivity	5 wires, 2 m

Wired/wireless

Wired-wireless	Wired
----------------	-------

Physical

Material	Aluminium
Dimensions magnet	76 x 25 x 12 mm
Dimensions contact / sensor	88 x 38 x 11 mm
Operating gap	19-63 mm



As a company of innovation, UTC Fire & Security reserves the right to change product specifications without notice. For the latest product specifications, visit UTC Fire & Security online or contact your sales representative.

12 March 2019 - 13:40