



# DC103

## BIASED HIGH SEC. SURF 4 WIRE

### DC101-Series

---

The DC101-Series surface mount magnetic contacts are designed for use in installations where a small, sealed unit is required. The reed switch is totally encapsulated in an exclusive polyurethane potting compound preventing moisture from entering the switch and causing false alarms.

### Easy installation

---

The 16 mm standard gap distance allows for fast, easy installation and prevents false alarms from loose fitting doors. Recessed mounting holes make for clean-looking installations.

### High Quality components and materials

---

Reed legs are plated with rhodium or ruthenium, and hermetically sealed in dry nitrogen. This offers superior protection against sticking and provides a moisture free environment therefore preventing corrosion.



### Details

---

- Convenient surface mounting
- Standard 2 m wire length
- Tamper loop provided
- Neat and tidy design

# DC103

## BIASED HIGH SEC. SURF 4 WIRE

### Technical specifications

---

#### General

Application type	Surface Mount
Contact type	NC
Connectivity	4 wires, 2 m

#### Wired/wireless

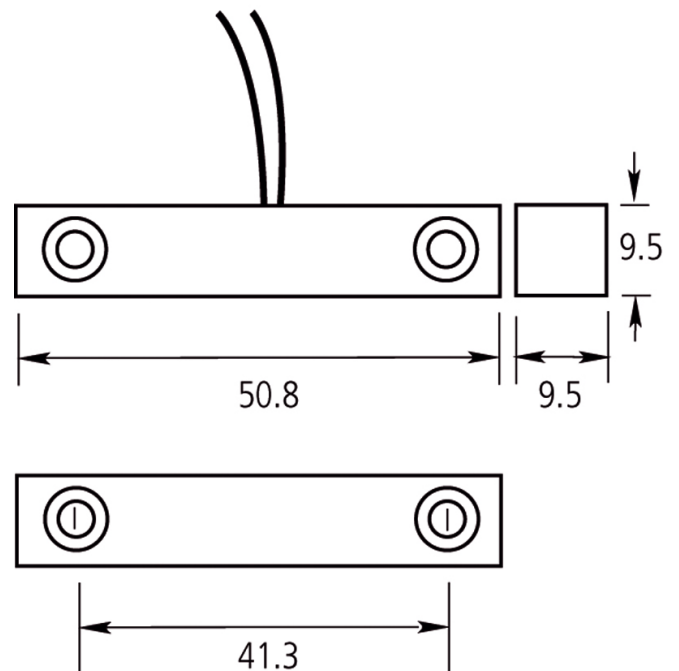
Wired-wireless	Wired
----------------	-------

#### Physical

Physical dimensions	51 x 9 x 9 mm
Colour	White
Operating gap	15-31 mm

#### Standards & regulation

EN50131 grade	Grade 2
---------------	---------



As a company of innovation, UTC Fire & Security reserves the right to change product specifications without notice. For the latest product specifications, visit UTC Fire & Security online or contact your sales representative.