

EN54 - 23 Guide

How does the new guide affect you?

EN54 - 23 is a new European standard for Visual Alarm Devices (VADS). Its purpose is to ensure that light output is measured in a uniform manner across Europe. This means that all beacons used as a primary method of notification must have the capability to alert all members of society to an evacuation including the hearing impaired.

Key requirements

The standard sets a base level for performance. Each model must be tested by the manufacturer to establish a light coverage envelope. Compliance is **mandatory under European law from 1st January 2014 in Europe**. It affects all fixed installation pulsing or flashing devices that use software for their operation, e.g. LED, Xenon or rotating beacons.

Applications

EN54-23 affects many applications helping to ensure safe evacuation in a variety of scenarios and locations:

- Areas where people may be alone e.g. hotel rooms and public conveniences
- Environments with high levels of ambient noise - machine rooms, gymnasiums, auditoriums
- Public escape routes - corridors and stairwells
- Care homes and accommodation for the elderly
- Leased commercial or residential properties
- Buildings with rooms equipped for the disabled

C,W & O Categories

EN54-23 requirements are broken down into three categories: W, Wall; C, Ceiling, and O, Open.

W Category devices are assessed in terms of the dimensions of the cube of light they cover and C Category devices are assessed as the diameter of a cylinder of light. The coverage of an O category device is a cuboid of light, defined by the manufacturer as independent of the EN54-23 height/placement requirements.

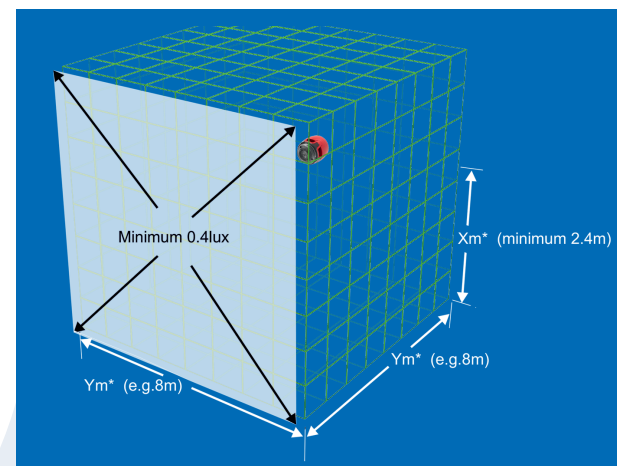
We make compliance easy

We understand that negotiating European Fire Standards can be challenging, that's why our expert team is on hand to offer advice and guidance, helping you choose the compliant device for a specific application.

Defined light coverage for wall mount (W Category) applications

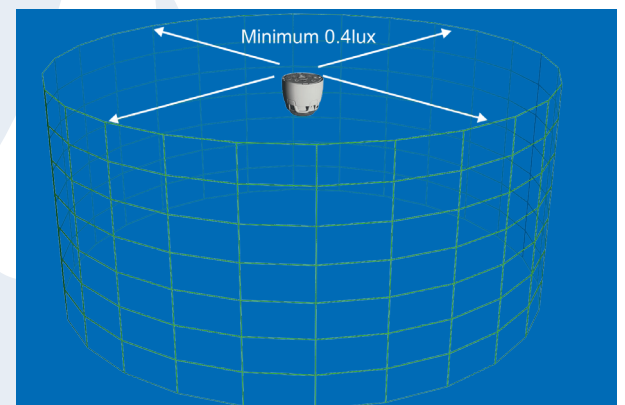
A cube of light with a minimum of 0.4 Lumens/m²

X & Y dimensions are defined by the device manufacturer



Defined light coverage for ceiling mount (C Category) applications

The diameter of a cylinder of light with a minimum of 0.4 Lumens/m²



Open Category (O Category) applications

The coverage of an O Category device is a cuboid of light, defined by the manufacturer as independent of the EN54 - 23 height/placement requirements.

Honeywell Beacons

With approval to the new EN54-23 standard for Visual Alarm Devices (VADs), Honeywell beacons use high output LEDs, advanced optics and a state-of-the-art lens design delivering unbeatable illumination. Further flexibility is achieved through the provision of omni-directional light output at low current draw and a choice of red and white light flash options.



- Omni-directional light output allows fast installation with no need for device orientation, ensuring consistent coverage
- High output LEDs meet EN54-23 requirements for 0.4 Lux illumination over entire stated coverage area
- Synchronised flash rate across devices exceeds standard
- Maximum illumination capacity reduces number of devices required
- Red and white light flash options provide the flexibility to meet diverse customer requirements
- Low current draw and extended operational life
- Full compliance to EN54-23 C and W categories
- Soft start feature reduces power surge
- Suitable for wall and ceiling mount applications

Honeywell Sounder Beacons

Honeywell combined units deliver exceptional sound and light provision in a single device. Designed to meet the needs of fire applications, these units are available with red or white flash, delivering synchronised audible and visual cues to ensure the safest evacuation possible.

- High sound capacity (average output of 100 dB)
- 32 tones (approved to EN54-3) including a bell tone
- Compact design with omni-directional light and sound allows fast installation
- High output LEDs meet EN54-23 requirements (0.4 Lux)
- Synchronised flash exceeds EN54-23 standard
- Maximum illumination reduces number of devices required



Honeywell Sounders

With approval to EN54-3, Honeywell sounders combine high output audio technology with the flexibility to meet the evacuation needs of any facility or building. A variety of tones and alarm settings enhance safety and provide maximum flexibility.



- Unique folded horn design achieves high sound capacity (average output of 100 dB dependent on tone)
- 32 tones (all approved to EN54-3) including a bell tone
- First fix wiring capability enables flexible installation
- Adjustable volume settings with easy dip switch access and low current draw

Morley-IAS by Honeywell is one of the world's leading designers and manufacturers of fire alarm control equipment and systems. Morley-IAS supplies control panels and fire detection products to professional, qualified fire alarm installers who will design and install a complete system as well as providing commissioning and maintenance support. For further information, please visit www.morley-ias.co.uk

Every care has been taken in the preparation of this Customer information but no liability can be accepted for the use of the information therein. Design features may be changed or amended without prior notice. Morley-IAS by Honeywell 2014.



by Honeywell

Caburn House
2B Brooks Road
Lewes
BN7 2BY UK

T: +44 (0) 1273 897 000
F: +44 (0) 1273 376 894
E: sales@morleyias.co.uk
www.morley-ias.co.uk