

# TIMEGUARD®

## LED Carriage Lantern

Model: CLLED42B – Black

Model: CLLED43WH – White



Installation & Operating Instructions

# 1. General Information

These instructions should be read carefully and retained for further reference and maintenance.

## 2. Safety

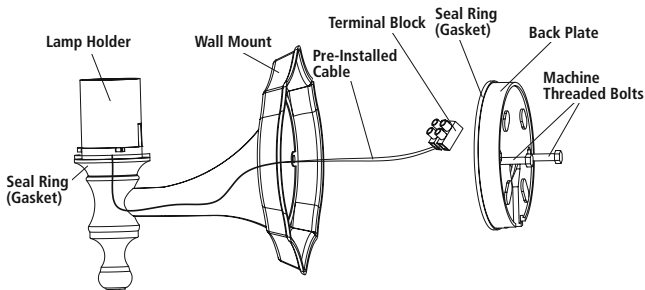
- Before installation or maintenance, ensure the mains supply to the luminaire is switched off and the circuit supply fuses are removed or the circuit breaker turned off.
- It is recommended that a qualified electrician is consulted or used for the installation of this luminaire and install in accordance with the current IEE wiring and Building Regulations.
- Check that the total load on the circuit including when this luminaire is fitted does not exceed the rating of the circuit cable, fuse or circuit breaker.

## 3. Technical Specifications

- 230V AC 50 Hz
- This Luminaire is of class II construction and must not be earthed
- Lamp Type Supplied: 4W LED
- Energy Efficiency: Class A
- Energy Usage: 4kWH/1000H (Lamp Supplied)
- Lamp Rating: 60W Halogen (max.)  
18W Compact Fluorescent (max.)  
5W LED (max.)
- Lumen Output: 320-335LM
- Colour Temperature: Warm White 2900-3200K
- IP44 Rated suitable for restricted external applications
- Beam Angle: 120°
- Operating temperature: -10°C to 40°
- CE Compliant

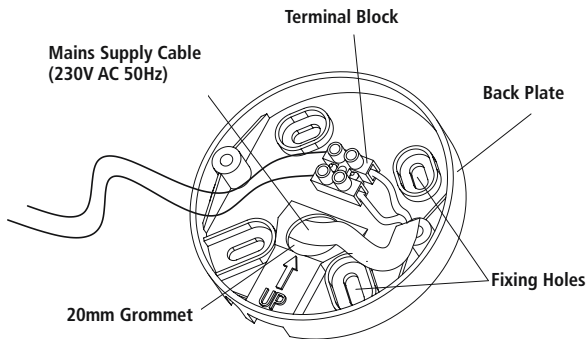
## 4. Installation

1. **IMPORTANT** Switch off the electricity at the fuse box by removing the relevant fuse or switching off the circuit breaker before proceeding with the installation.
2. An isolating switch should be installed to switch the power to the unit on and off. This is for maintenance purposes.
3. Unscrew the security nuts located on the front of the unit.
4. Pull away the back plate from the wall mount.
5. Separate the terminal block and back plate by using a flat head screw driver; do not disconnect any pre-installed cables.



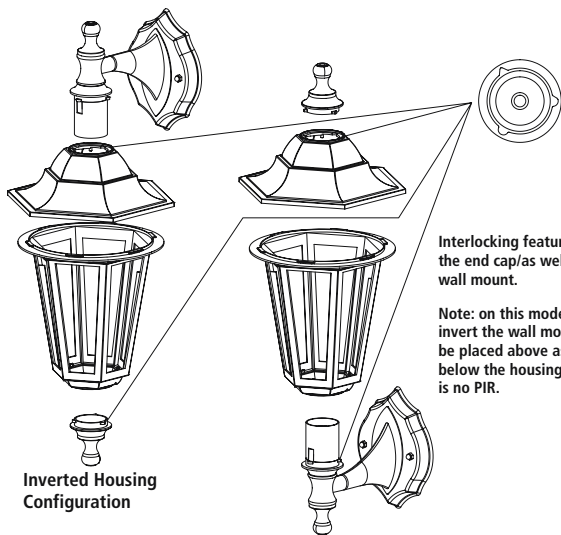
6. Using the back plate as a template mark the position for the holes. Note the back plate must be mounted in the correct orientation, following the 'UP' arrow.
7. Drill the wall using a 6mm Ø masonry drill bit making sure not to infringe or compromise any gas, water pipes or cables. Insert the supplied rawl plugs into the previously drilled holes.
8. Pierce the pre-installed rubber grommet and pass through the 230V AC 50Hz mains supply cable. Ensuring the IP rating of the fitting is maintained (Silicon sealant may be used).
9. Secure the back plate to the wall using the screws provided ensuring that the machine threaded bolts are in place and the back plate is correctly orientated (Arrow Up).

10. Reinstall the terminal block to the back plate ensuring it is clipped in place securely.
11. Using the standalone connection diagram (see section 5.Connection Diagram) connect the 230V AC 50Hz mains supply cable to the terminal block ensuring that all bare conductors are sleeved and that correct polarity is observed.

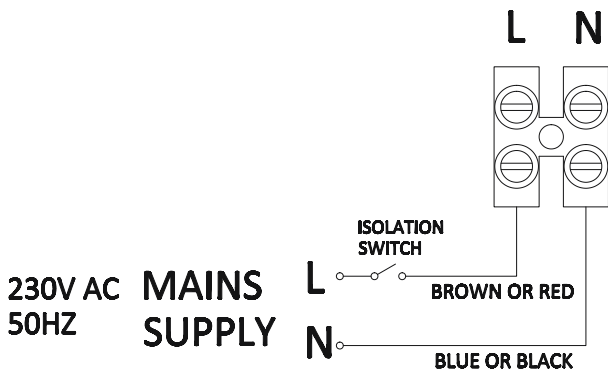


12. Align the holes in the lantern wall mount with the machine threaded bolts in the back plate and push the wall mount over the back plate. Secure with the security nuts.
13. Align the housing to the wall mount joint. (There are two rounded tabs and one triangle tab on the wall mount to ensure the housing is correctly in place.
14. Twist the body approximately 30 degrees clockwise to lock in place. Please note gaskets are already applied to the required parts.
15. Fit the 4 watt candle lamp supplied into the lamp holder moulded to the wall mount.

16. Place the six pieces of glass into the housing accordingly, take great care in fitting the glass as the edges may be sharp.
17. Mount the lid on top of the housing and twist clockwise until secure, the rectangular tabs on both the lid and top part of the housing will indicate where the lid fits in place.
18. Attach the end cap to the top of the lid and twist clockwise until firmly locked into position again using the same method as the wall mount with the two rounded tabs and one triangular tab and twist clock wise.



## 5. Connection Diagram



## 5

## 6. Operation and testing

- Turn the power to the unit on, and the unit will illuminate.

## 3 Year Guarantee

In the unlikely event of this product becoming faulty due to defective material or manufacture within 3 years of the date of purchase, please return it to your supplier in the first year with proof of purchase and it will be replaced free of charge.

For years 2 and 3 or any difficulty in the first year, telephone the helpline on 020 8450 0515.

Note: A proof of purchase is required in all cases. For all eligible replacements (where agreed by Timeguard) the customer is responsible for all shipping/postage charges outside of the UK. All shipping costs are to be paid in advance before a replacement is sent.



If you experience problems, do not immediately return the unit to the store. Telephone the Timeguard Customer Helpline;

HELPLINE

**020 8450 0515**

or email [helpline@timeguard.com](mailto:helpline@timeguard.com)

Qualified Customer Support Co-ordinators will be on-line to assist in resolving your query.



A **theben** Group Company

For a product brochure please contact:

**Timeguard Limited.**

Victory Park, 400 Edgware Road,

London NW2 6ND

Sales Office: 020 8452 1112

or email [csc@timeguard.com](mailto:csc@timeguard.com)

**[www.timeguard.com](http://www.timeguard.com)**