

Datasheet

POE-4P/ 8P - PoE Switch for 2EASY IP System

Product Description

The 2EASY IP system facilitates connection through PoE: Electrical power and data are transmitted through one Ethernet cable, allowing network expansion without relying on power cables. This makes the 2EASY IP range seamless and easy to use. It allows up to 32 door stations and monitors for a single house, 256 monitors for multi-entry apartment blocks, and 8000(*) monitors for complex buildings.

The PoE is fully compatible with 2EASY IP door stations, monitors, and other IP cameras. Thanks to intelligent power management, when total power consumption exceeds the PoE limit, the lower priority port is cut off, ensuring the high priority port's power supply and protecting against power overload.



Key Features

- PoE switch with 4 or 8 PoE ports
- Priority mode for higher priority ports of sensitive power applications
- Isolation mode for higher security and performance (POE-8P)
- Up to 250m data and power transmission
- Plug and play: no configuration required

 Certification

 DEEE

RoHS Certification

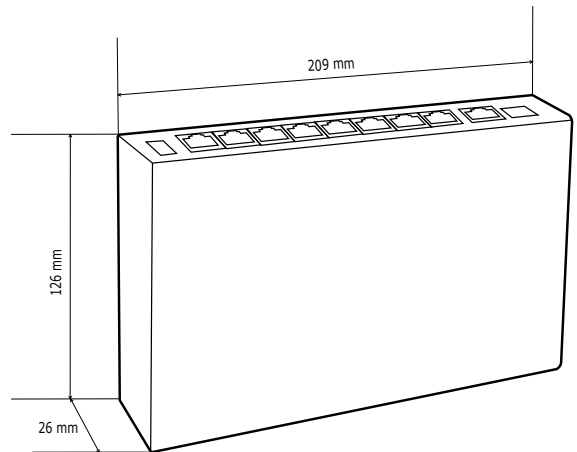
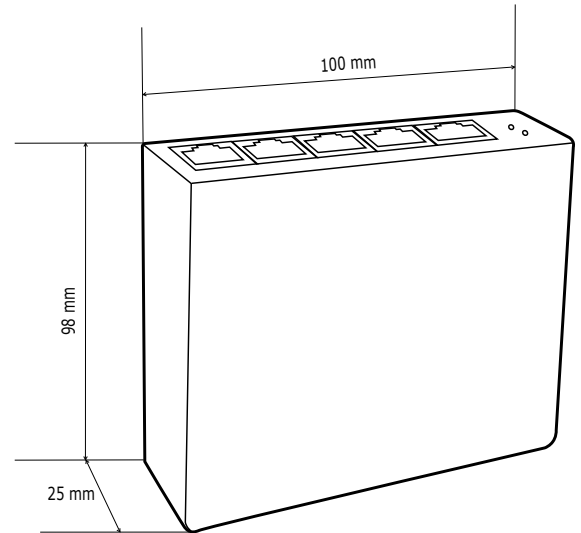
 RED certification

 0°C to 50°C

(*) For more information, please contact CDVI Technical Support

Product Specifications

Mounting:	Desktop, wall-mountable
Technology:	PoE / PoE+
Standards:	IEEE 802.3af, IEEE 802.3x
Interfaces:	4-way: 10/100 Mbps RJ-45 8-way: 100Base-TX RJ-45 PoE+ - 30W, 1 x Gigabit LAN SFP, 1 x 1000Base-T RJ-45
Total PoE budget:	4-way: 41W 8-way: 124W
Packet forwarding rate:	4-way: 0.744 Mpps 8-way: 4.166 Mpps
Switching Capacity:	4-way: 1 Gbps 8-way: 5.6 Gbps



Electrical Specifications

Power input:	External power adaptor
Power provided:	53.5 V - 0.81 A (4-way)
Consumption:	47W (4-way)

Range References

E0901D000527	POE-4P	2EASY IP 4-Port PoE Switch
E0901D000528	POE-8P	2EASY IP 8-Port PoE+ Switch