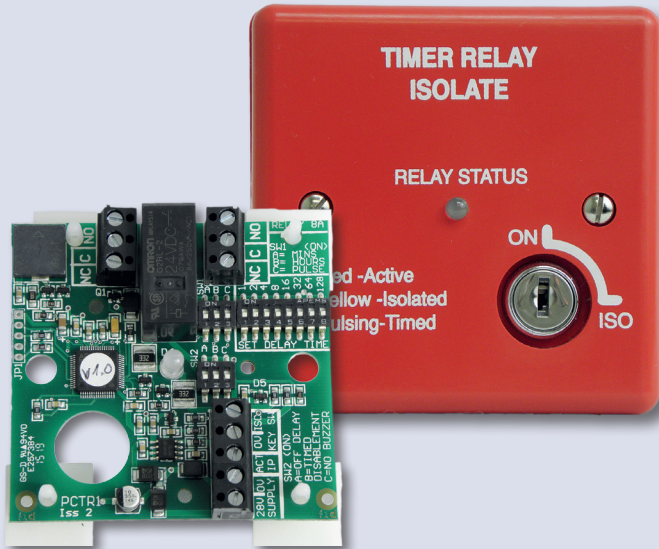


## Multi Purpose Isolateable Timer/Pulsing Relay

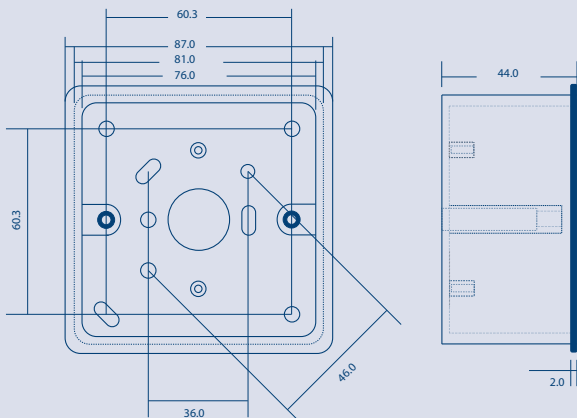


The timer relay unit is configurable to provide a variety of operational functions which are determined via DIL switch settings.

The unit can be supplied from 17 to 30v dc and triggered via a switch -ve input or alternatively activated by a 24v signal such as a sounder circuit.

The relay has unfused 8A double pole changeover contacts which can be used to switch loads or isolate circuits.

Available as a boxed version with isolate key switch or as a PCB only with self adhesive, Nylon mounting pillars.



### Features at a glance

- Suppressed and polarised relay
- 24v coils, suitable for fire alarm use
- Isolate key switch with boxed version
- Suitable for mains switching
- Boxed unit or PCB only
- Boxed unit suitable for surface or flush fitting
- PCB only version supplied with self adhesive mounting pillars
- Two colour 'activated' / 'isolated' indication
- Double pole 8A relay
- 0 - 255 second/minute or hour timer
- Delay timer or pulsing relay
- Timed disablement setting

Models	Description
BRTIMER	Timer/pulsing relay in red box
RECARD-TMR	Timer/pulsing relay PCB only

**+44 (0) 1895 424505**

## Applications / Limitations

Suitable for any 24vdc system that requires an auxilliary timer or pulsing changeover relay

## Operation

<b>Delay Mode:</b>	Following a trigger input the relay will activate after the set time delay.
<b>Pulse Mode:</b>	Following a trigger input the relay will pulse alternately 'ON' and 'OFF'.
<b>Disablement:</b>	When key is switched to Isolate position the activation of the relay is prevented.
<b>On Delay:</b>	Delay time before the relay is switched 'ON'
<b>Off Delay:</b>	Relay is activated immediately and then delay time before relay is switched 'OFF'.
<b>Timed Disablement:</b>	Relay can be disabled for a predetermined time, up to 255 hours.
<b>Buzzer Function:</b>	The buzzer ticks during a time delay running period, changes to a constant tone when the relay is activated and has slow intermittent beeps when the relay is disabled. (Buzzer can be switched off).
<b>LED Indications:</b>	Yellow constant = relay disabled, yellow pulsing = timed disablement, red constant = relay operated, red pulsing = input active timer running.
<b>Trigger Signal (a):</b>	Provide constant supply voltage (17-30vdc) and activate timer via a switch -ve signal (from clean contacts or open collector outputs), necessary for disablement options.
<b>Trigger Signal (b):</b>	A 24v signal (can be a polarity reversed signal such as a fire alarm sounder circuit). With this option link the ACT IP to 0v. <i>Note: With this option no power is available to the unit until the circuit is active and so the indicator &amp; buzzer will not function until power is applied.</i>

Relay Coil  
Rated @ 24v dc  
Coil resistance = 1440 Ohms +/- 10%

Contacts  
250v ac, 8A, VL 10A, double pole C/O

Current Consumption @ 28v

Normal: 7.5mA

Isolated:  
LED only: 24mA  
LED + buzzer: 38mA  
LED + relay: 43mA  
LED + relay + buzzer: 57mA

Triggered: 24mA

IP Rating  
IP43

Material  
ROHS compliant FR ABS

Dimensions  
Fascia plate: 87mm x 87mm x 11mm  
Back box: 81mm x 81mm x 42mm

Weight  
150g



## Haes Systems Limited

Columbia House  
Packet Boat Lane  
Cowley Peachey  
Uxbridge  
UB8 2JP  
United Kingdom

**Tel:** +44 (0) 1895 422066

**Fax:** +44 (0) 1895 420603

**Direct Sales Line:** +44 (0) 1895 424505

**Email:** enquiries@haes-systems.co.uk

**Web:** www.haes-systems.com

Company Registration No. 1146067 UK



Assessed to ISO 9001  
LPCB Ref. No. 810

© 2015 Haes Systems Ltd. The information contained herein is subject to change without notice. Haes Systems Ltd shall not be liable for technical or editorial errors or omissions contained herein.

Data Sheet DS0058 Issue 1.0