

## Lockdown Alert Alarm Pulsing Relay

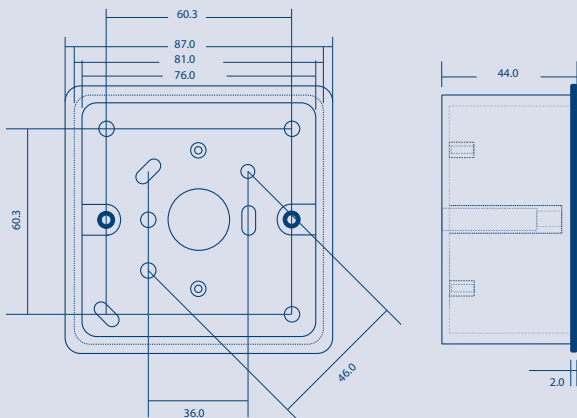


The lockdown alert alarm relay has been developed to be used in conjunction with a fire control panel to provide a pulsing or continuous alert of the impending lockdown of a building, but may also be suitable for other key switch operated relay applications.

The 8A double pole relay can be supplied from 17 to 30v dc and is triggered via the on board key switch.

The On time and OFF time of the relay can be individually programmed via DIL switch settings up to 15 seconds.

Supplied in a white ABS casing with back box, suitable for surface or flush fitting.



### Features at a glance

- Developed to provide a pulsing or continuous alert of the impending lockdown of a building
- Designed to be used in conjunction with the class change inputs of a fire control panel
- Key switch activation
- Suitable for surface or flush fitting
- Red Alarm Status LED indication
- Double pole 8A relay
- Pulsing relay
- Programmable ON/OFF times in steps of 1 second, up to 15 seconds

Models	Description
BRLDA	Lockdown alert alarm relay

**+44 (0) 1895 424505**

## Applications / Limitations

Developed to provide a pulsing or continuous alert of the impending lockdown of a building, but may also be suitable for other key switch operated relay applications.

## Operation

<b>Pulse Mode:</b>	When the key switch is turned to the ON position the relay will pulse alternately 'ON' and 'OFF'. The ON and OFF time of the relay can be individually programmed via DIL switch settings up to 15 seconds.
<b>Buzzer Function:</b>	The buzzer emits a tone when the relay is activated. (Buzzer can be switched off).
<b>LED Indications:</b>	Red = relay operated.
<b>Trigger Signal:</b>	Provide constant supply voltage (17-30vdc) and activate via key switch.

### Relay Coil

Rated @ 24v dc  
Coil resistance = 1440 Ohms +/- 10%

### Contacts

250v ac, 8A, VL 10A, double pole C/O

### Current Consumption @ 28v

Normal: 7.5mA

### Activated:

LED only: 24mA  
LED + buzzer: 37mA  
LED + relay: 43mA  
LED + relay + buzzer: 56mA

### IP Rating

IP43

### Material

ROHS compliant FR ABS

### Dimensions

Fascia plate: 87mm x 87mm x 11mm  
Back box: 81mm x 81mm x 42mm

### Weight

150g



## Haes Systems Limited

Columbia House  
Packet Boat Lane  
Cowley Peachey  
Uxbridge  
UB8 2JP  
United Kingdom

**Tel:** +44 (0) 1895 422066

**Fax:** +44 (0) 1895 420603

**Direct Sales Line:** +44 (0) 1895 424505

**Email:** [enquiries@haes-systems.co.uk](mailto:enquiries@haes-systems.co.uk)

**Web:** [www.haes-systems.com](http://www.haes-systems.com)

Company Registration No. 1146067 UK



Assessed to ISO 9001  
LPCB Ref. No. 810

© 2015 Haes Systems Ltd. The information contained herein is subject to change without notice. Haes Systems Ltd shall not be liable for technical or editorial errors or omissions contained herein.

Data Sheet DS0059 Issue 1.0