

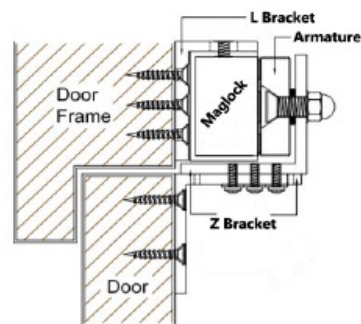
Electronic Locking Magnet Range



Double Maglock Brackets

Technical specifications

- Specially designed bracket slots that allows for a simple one person installation of double maglocks
- Available for all ML600-D Range
- Fully Adjustable Brackets



FEATURES

- L Bracket for use on outward opening doors
- Z&L Bracket for use on inward opening doors
- Anodised aluminium finish

BK600-D-L	L = 500x29x47	L Bracket 600 Range	474g (Boxed)
BK600-D-ZL	L = 500x29x47 Z = 180x46x46	ZL Bracket 600 Range	1.17kg (Boxed)

Other items in the RGL range.

