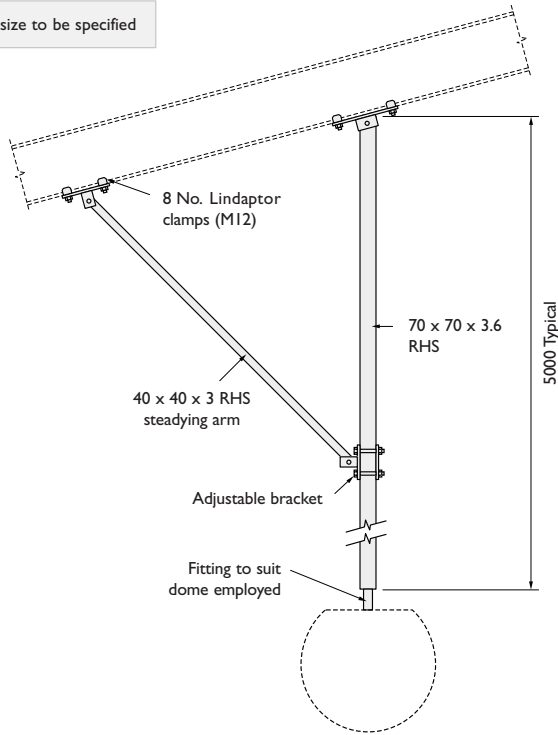


RSJ Mounting Underslung Bracketry

AW2032

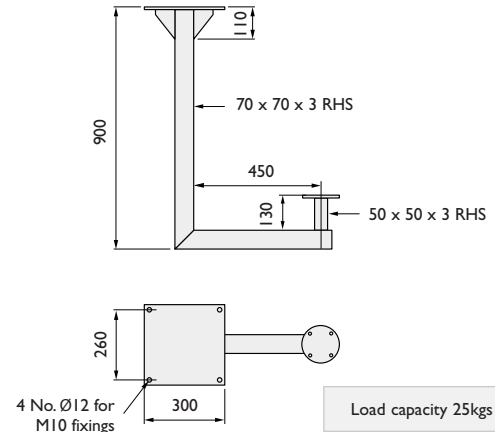
Suspended arm for dome

RSJ size to be specified



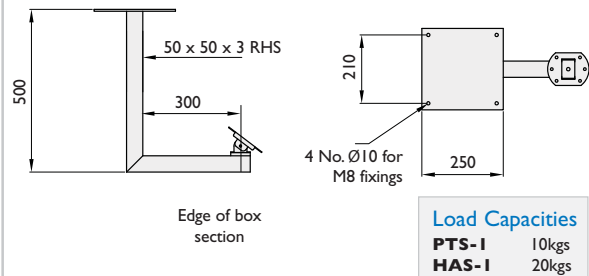
AW2053

Soffit underslung J bracket PTZ camera



AW1933

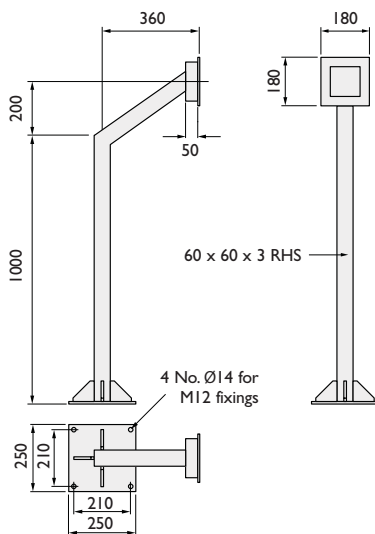
Soffit underslung J bracket fixed camera



Pedestals

AW1915

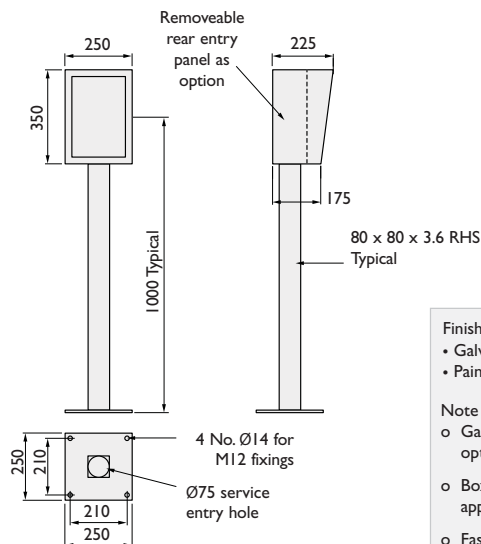
Car park entry pedestal



Pedestals are available for pedestrian and car entry as shown. Also taller versions for lorry and dual versions for car and lorry entry

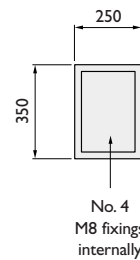
AW1995

Door entry pedestal



AW1995/WM

Wall mount door entry unit



Finishes available

- Galvanised
- Powdercoated
- Painted
- Stainless steel brushed

Note

- o Galvanised is standard finish - other finishes are optional and at additional cost
- o Box sizes are typical and can vary to suit application
- o Fascia plates produced for either surface mount or flush mount equipment
- o Dimensions are typical and can be specified to suit site requirements

All brackets for camera mounting have a Ø127 mounting plate with 8 no Ø8.5 equi - spaced on 101.6 PCD