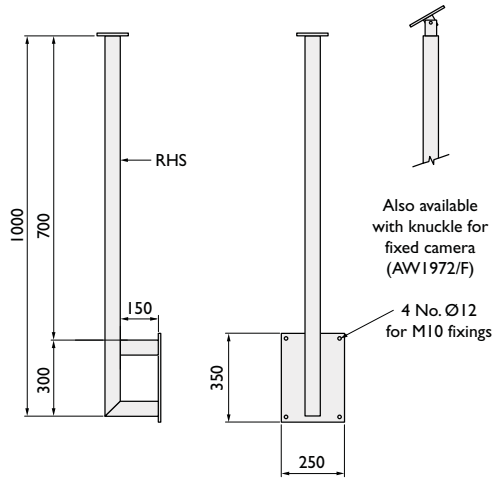
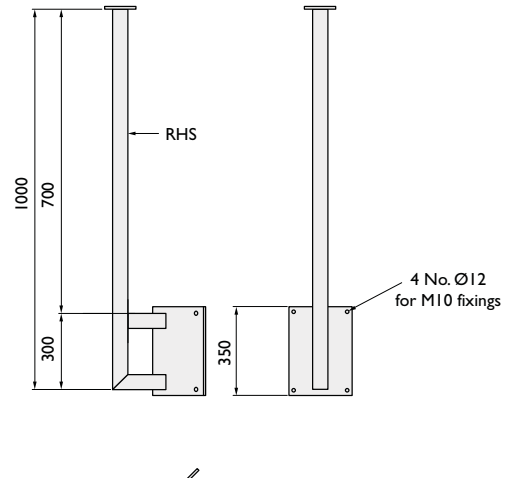


Upstand Wall Brackets

AW1972 Wall mount



AW1972/C Corner mount



Wall Mount

PTZ camera ● **AW1972 SPT**
Fixed camera ● **AW1972 SF**

Load Capacities

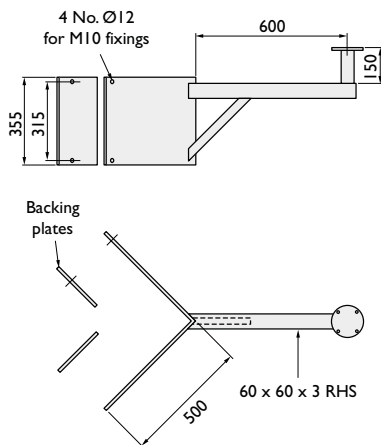
For PTZ Load capacity 25kgs
For Fixed Load capacity **PTS-I** 10kgs
HAS-I 25kgs

Corner Mount

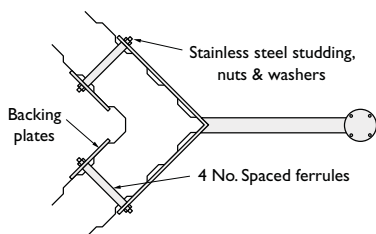
PTZ camera ● **AW1972/C SPT**
Fixed camera ● **AW1972/C SF**

● Stock items

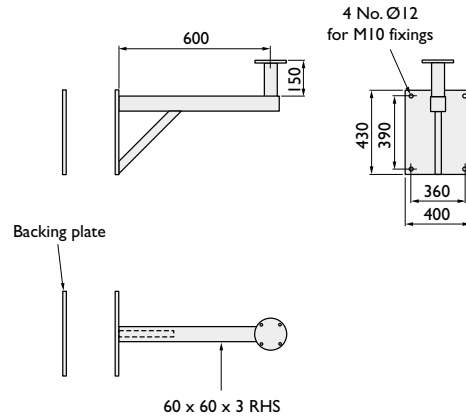
CB2/C Corner



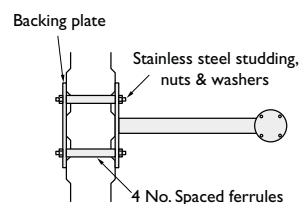
Fixing arrangement



WB2/C Flat



Fixing arrangement



Load Capacities

CB2/C Load capacity 25kgs
WB2/C Load capacity 25kgs

All brackets for camera mounting have a Ø127 mounting plate with 8 no Ø8.5 equi - spaced on 101.6 PCD