

→ Tilt-Down Wall Mounted Poles

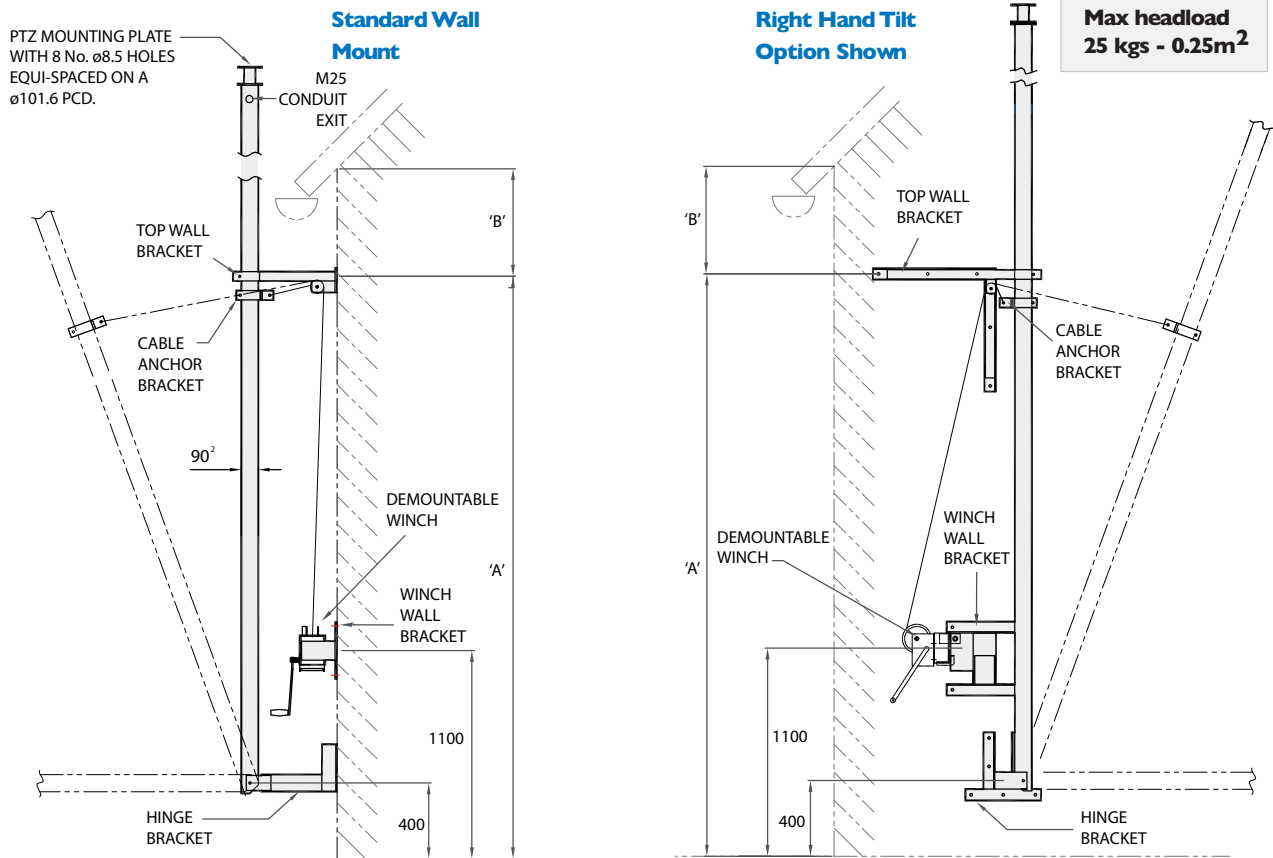
Features of Wall Mounted Tilt-Down Poles

Altron Tilt-down wall mounted poles offer a solution to virtually any location and head load where a tilt-down wall mounted pole is suitable, for gaining an elevated viewpoint from an existing structure. Bespoke mounting brackets can be provided to suit site specific requirements.

- Comprehensive standard range to suit most applications
- All Altron standard accessories available
- Hot dip galvanised for longevity
- Bespoke fixing brackets for non-standard situations

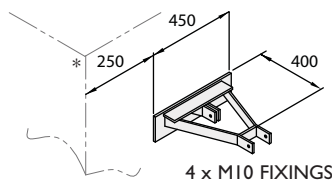
AW1934 Wall Mounted Tilt-Down Poles

For single or two storey walls, giving a cost effective solution. Demountable winches are included for added security.

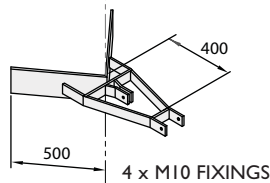


Mounting Bracket Options

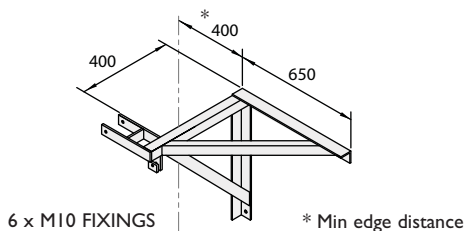
Wall Mount



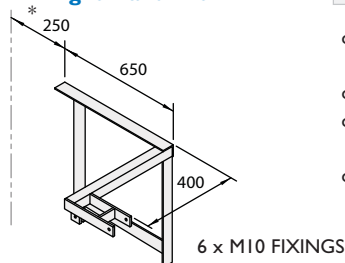
Corner Mount



Left Hand Tilt



Right Hand Tilt



Pole Height	Part No.	Dim A		B min
		min	max	
3	AW1934/3	1.5	2.5m	0.3m
4	● AW1934/4	2	4m	0.3m
5	● AW1934/5	2.5	4m	0.4m
6	● AW1934/6	3	5m	0.4m
7	AW1934/7	3.5	6m	0.5m
8	AW1934/8	4	7 m	0.5m

● Stock items

- For left hand tilt & right hand tilt suffix part number /LHT or /RHT e.g AW1934/4/LHT
- For corner mount suffix part number /C
- Dimension 'A' to be maintained for camera stability and to limit winch loading
- Dimension 'B' to be maintained for upper bracket fixing strength