

# → Tubular Fixed Poles

## Height range 3m - 12m

A comprehensive range of high specification poles, that cater for light, medium and heavy duty CCTV applications, therefore offering cost effective mounting solutions tailored to the individual installations requirements. A full range of accessories are available to ensure appropriate and high quality installations.

## Typically used for the following types of installation

- o Industrial and commercial premises
- o Perimeter detection
- o Schools and universities
- o Railway platforms & car parks
- o Car parks
- o Public area CCTV
- o Retail Parks
- o Sports stadia

## Security Features

- o Internal cabling
- o Close fitting flush doors
- o Solid secure heavy duty door locks

## General Features

- o Available in 3 duties; light, medium and heavy duty to accommodate all types of camera installations
- o Compartments have doors that are close fitting and flush with heavy duty secure locks and are complete with treated backboard
- o Available in bolt down and embedded/direct burial versions
- o A wide range of standard Altron Accessories and Brackets available
- o Pole adaptations available to suit customers/project specific requirements
- o Constructed in high tensile steel and hot dip galvanised after fabrication for durability
- o Option of painting over the galvanised finish in colours available from BS and RAL colour charts
- o Also available in 316 stainless steel, architectural finish
- o For design, manufacturing and finishing standards, see details on page 107



AW1581/6



AW2207/8

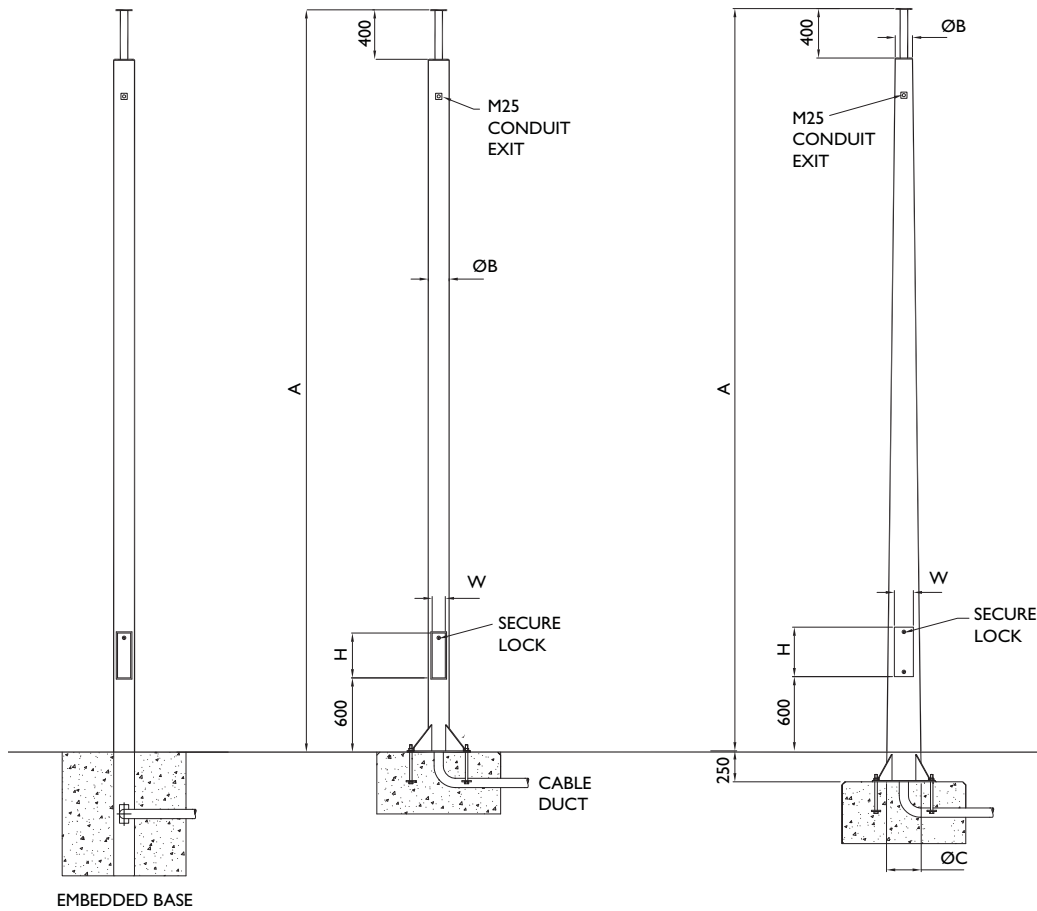


AW1592/6 in stainless steel

# Tubular Fixed Poles ← Technical Specification

## Tubular Poles

## AW2207 Tapered Poles



Options	PT No.
Access cover plate and cable restraining bar	<b>/AC</b>
Decorative banding	<b>/B</b>
High security locks	<b>/HS</b>
Screw in swan neck adaptor	<b>/SN</b>
Tamper switch	<b>/TS</b>
Double Door	<b>/DD</b>
Lighting spigot	<b>/LS</b>

All camera mounting plates are Ø 127 with 8 No Ø 8.5 equi-spaced on 101.6 PCD.  
Ø 40 thro' column spacer

Poles complete with treated equipment mounting board inside compartment. Earthing lugs within pole and on door

FOR FOUNDATION AND BOLTING DETAILS REFER TO PAGE 29

Tubular Poles Fixed & Tilt Down

Model No.	Height in mtrs	Max equip weight at pole top kgs	Max equip surface area m <sup>2</sup>	Pole ØB	Door aperture size H x W	Pole weight kgs
-----------	----------------	----------------------------------	---------------------------------------	---------	--------------------------	-----------------

### TUBULAR FIXED POLES

**Light duty** - Typically for fixed camera and small dome installations

AW1755/3	3	25	0.25	114	312 x 76	52
AW1755/4	4	25	0.25	114	312 x 76	63
AW1592/5	5	25	0.25	139	312 x 76	113
AW1592/6	6	25	0.25	139	312 x 76	131
AW1507/7	7	25	0.25	168	362 x 106	176
AW1507/8	8	25	0.25	168	362 x 106	208
AW1581/9	9	25	0.25	193	362 x 126	265
AW1581/10	10	25	0.25	193	362 x 126	290

**Medium duty** - Typically for light PTZ and larger dome installations

AW1592/3	3	35	0.4	139	312 x 76	77
AW1592/4	4	35	0.4	139	312 x 76	95
AW1507/5	5	35	0.4	168	362 x 106	132
AW1507/6	6	35	0.4	168	362 x 106	154
AW1581/7	7	35	0.4	193	362 x 126	215
AW1581/8	8	35	0.4	193	362 x 126	240
AW1576/9	9	35	0.4	219	362 x 126	293
AW1576/10	10	35	0.4	219	362 x 126	376

**Heavy duty** - Typically for large fully functional PTZ, offset camera loads where min deflection is required

AW1507/4	4	50	0.5	168	362 x 106	110
AW1581/5	5	50	0.5	193	362 x 126	165
AW1581/6	6	50	0.5	193	362 x 126	190
AW1576/7	7	50	0.5	219	362 x 126	235
AW1576/8	8	50	0.5	219	362 x 126	264
AW1631/9	9	50	0.5	273	462 x 126	418
AW1631/10	10	50	0.5	273	462 x 126	461
AW1631/12	12	50	0.5	273	462 x 126	547

**TUBULAR TAPERED FIXED POLES** - giving aesthetic appearance, and good rigidity

Model No.	Height in metres	Max equip weight at pole top kgs	Max equip surface area m <sup>2</sup>	Pole Top ØB	Pole Bottom ØC	Door aperture size H x W	Pole weight kgs
AW2207/4	4	35	0.4	114	187	360 x 132	93
AW2207/5	5	35	0.4	140	198	360 x 142	124
AW2207/6	6	35	0.4	140	249	360 x 150	174
AW2207/7	7	35	0.4	140	267	360 x 150	210
AW2207/8	8	35	0.4	140	285	360 x 150	251

Where payloads are greater than those stated above, please contact Altron  
All dimensions in mm unless stated otherwise

## Accessories

Top mounting brackets for Fixed and PTZ cameras	P76
Swanneck brackets for Dome cameras	P81
Anti-climb guards	P77
Clamp-on camera mounting brackets	P79
Telemetry box mounting brackets	P77
Pole top mounting cages	P83
PIR mounting ring	P84

## Quick reference

Single fixed camera knuckle	<b>PTS-I</b>
Twin fixed camera bracket	<b>TB2-600F</b>
Half swanneck for dome	<b>AW1699H</b>
Full swanneck for dome	<b>AW1699F</b>
Anti climb guard	<b>SGC</b>
PIR mounting ring	<b>AW1962</b>
Telemetry bracket	<b>ATBC</b>