



The RFID with Best ROI™



LR-2200™ Extra Long-Range Reader

The LR-2200™ Long-Range Reader is designed to enhance safety / security, automate parking administration and provide convenient, hands-free / remote-free, vehicle access.

The LR-2200 offers an impressive combination of single unit construction, small size, and attractive appearance. Unlike many AVI products, the LR-2200 operates in the ETSI EN 302 208 ISM (Industrial, Scientific and Medical) band, offers a myriad of credential options from traditional clamshell badges, hangtags to windshield tags, while providing significant savings in deployment and maintenance expense.



Performance enhancements in automobiles impose unwavering circumstances which call for the flexibility

AWiD has integrated in the LR-2200 reader and tags. Tag reading distance is commonly up to 4 meters or more, depending on reader mounting, credential type, and environment. Its electronics and antenna are integrated in a single compact enclosure which is suited for outdoor applications.

The LR-2200 offers a price-performance advantage over traditional long-range proximity systems, using battery-free, maintenance-free credentials and operates in the 865-868 MHz UHF band. In addition to Automatic Vehicle Identification (AVI), the LR-2200™ is ideal for Hospitals, Medical Centers, Airports, Hotels, Stadiums, Amusement Parks, extending unparalleled performance while providing Long Range RFID with the best ROI.

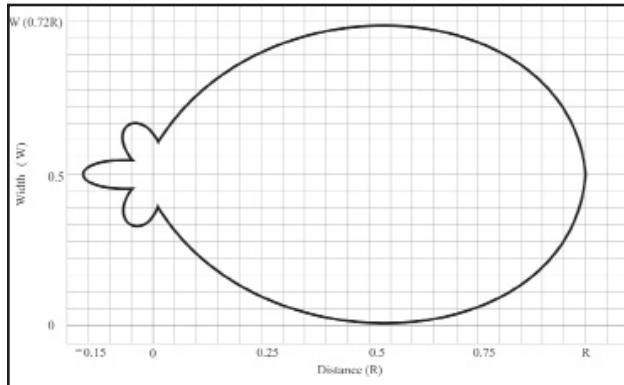
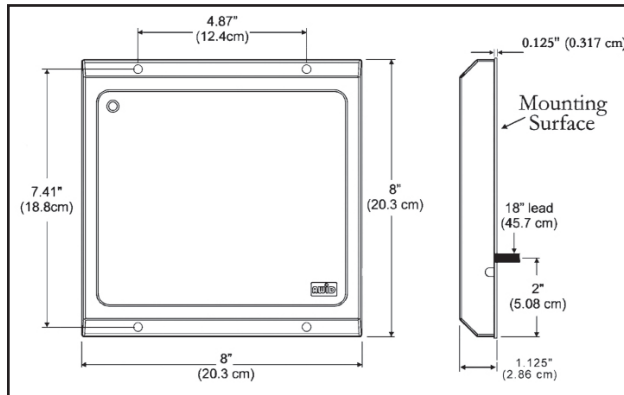
FEATURES

- Extended reading distance . . .
Up to 7 meters between reader and tag
- Small, attractive reader . . .
Single unit with antenna,
- Easy reader installation . . .
No reader programming, simple wiring
- Wide selection of credentials . . .
5 vehicle tags and 2 hand-held cards
- Unlimited tag or card life . . .
Passive battery-free credentials
- Easy interfacing to control systems . . .
Both Wiegand and RS-232 data output
- No interference /cross-reading between lanes . . .
Programmable RF field strength
- Dual antenna units for difficult sites . . .
Optional LR-2200HiLoMA reader set
- RF transmission only as needed . . .
Use vehicle sensor to arm the RF circuit
- Complies with certifications . . .
ETSI EN302 208, CE
- Ideal upgrade for old systems . . .
Hands-free vehicle identification
- Eliminates stop-and-wait entry . . .
Cars continue moving past reader
- For outdoor applications . . .
*Housing required for rain and sun**

* NOTE: WHEN INSTALLED OUTDOORS AND EXPOSED TO RAIN OR SNOW, OR TO DIRECT SUN IN A HOT ENVIRONMENT, THE LR-2200 MUST BE MOUNTED INSIDE A HOUSING WITH MINIMUM IP64 RATING.

LR-2200™

UHF Extra Long-Range Reader



ACCESSORIES AND SUPPLIES

- [LR-2200KIT Installation Kit](#) – A requirement for all installers. Efficiently demonstrate the LR-2200, narrow tag choices, and outline the installation. A one-time purchase.
- [Mounting bracket](#) – Pan-and-tilt adjustable, for aiming the LR-2200 at the tags' reading location. AWID offers LR-MB-0-0.
- [Power supply](#) – Each LR-2200 requires a separate, independent, dedicated power supply. Ask AWID for specifications.
- [Protective housing](#) – To avoid rain, snow, hot sunlight and vandalism, AWID recommends a Lexan housing.
- [Installation & Operation Manual](#) – Download Manual from www.awid.com

CREDENTIAL OPTIONS

- [Vehicle-mounted tags](#) – Tags for permanent or movable applications, inside or outside vehicles.
- [Hand-held cards](#) – Clamshell-type and graphics-type cards.

Ask AWID about tag/card selection and mounting methods.

OPERATING CHARACTERISTICS

- **Reading Distance:**
Up to 25 feet (7.6 meters)
- **Frequency Band:**
865 to 868 MHz ETSI
Frequency-hopping technology
- **Antenna Output:**
Circular-polarized RF field
- **Communications Interface**
Wiegand and RS-232
- **Code Formats:**
Determined by AWID's tags & cards
from 26 to 50 bits

- **Cables:**
Power – 2 conductors, 18 gauge
Data – 3 conductors, 22 gauge
Stranded, color-coded, shielded
Up to 500 feet long

- **Programmable Features:**
Read repetition rate; RF power level
Min: 5dBm / 3.16mW
Max: 30dBm / 1000mW
with 0.5dB steps (selectable)
*RF power adjustment will effect read range

- **Antenna Gain:**
4.77dBi
- **E.R.P.**
Min: $5+4.77-2.15=9.77$ dBm
Max: $30+4.77-2.15=32.62$ dBm

PHYSICAL CHARACTERISTICS

- **Dimensions:**
20.3 x 20.3 x 2.86 cm

- **Weight:**
1.04 kg

- **Material (Color):**
ABS enclosure (beige);

- **Cable (Integrated with Reader):**
10 conductors, 32 inches long
Overall shielded, plastic sheathed

- **Mounting (Supplied by Installer):**
Pan-and-tilt adjustment for aiming

ENVIRONMENT

- **Operating Temperature:**
At 50% duty cycle –
-35 to +65 C (-31 to +150 F)
At 100% duty cycle –
-35 to +45 C (-31 to +115 F)

- **Operating Humidity:**
0% to 95%, non-condensing

CERTIFICATION/COMPLIANCE

ETSI EN 302 208, CE, RoHS

AWID

Applied Wireless Identifications Group, Inc.
18300 Sutter Blvd.
Morgan Hill, CA 95037 USA
Tel: +1 (408) 825-1100
Fax: +1 (408) 782-7402
www.awid.com