

Ani-Mate[®] - Animal Friendly Sounder

Ani-Mate[®] is an animal friendly sounder that uses a specifically developed low frequency tone (sub 400 Hz), which is designed to minimise discomfort to animals.

The Ani-Mate[®] is designed to conform to the 'silent' fire alarm. The 'silent' fire alarm¹ was developed because of the need for an effective alarm signal in laboratory animal facilities which did not stress the animals every time it was tested.

Small mammals in particular can be distressed by the frequency of tones emitted by standard electronic sounders and bells. It is only by using a conventional cone loudspeaker that pure low frequencies can be reproduced and thus disturbance to animals be minimised.

The Ani-Mate[®] is for internal use and is housed in an attractive white painted metal enclosure. It gives excellent sound output with a wide range volume control. It is also available as an outdoor weatherproof unit in a grey IP66 enclosure. As a 24 V dc unit, the Ani-Mate[®] is easily interfaced with the existing fire alarm system.

Whilst the Ani-Mate[®] can be used as a simple replacement for traditional sounders and bells, it can also be used as a voice sounder (although not compatible with the Fire-Cryer[®] range of voice sounders).

¹Clough G & Fasham JAL: A 'silent' fire alarm. Lab. Anim. 9, 193-196, 1975.



Features

- Sub 400 Hz frequency designed to minimise stress to animals
- 24 V dc operation means easy interface to existing systems
- Attractive, low profile designs
- Wide volume control - 89 to 103 dB(A)
- Can be programmed with voice messages*

*Please see Message library DS/FCMESENG for an up to date list of available messages. Due to the nature of the animal-friendly tone, message options may be limited.

Specification



Operating Voltage - Nominal:	24 V dc
Current at Maximum Volume:	
At volume settings : Max	300 mA
-3 dB(A)	200 mA
-6 dB(A)	140 mA
-9 dB(A)	110 mA
Sound Output @ 1m:	95 dB(A)
Frequency:	<400 Hz
Colour:	White
Material:	Steel Front, Diecast Metal Back Box
IP Rating:	IP21
Weight:	1.7 Kg

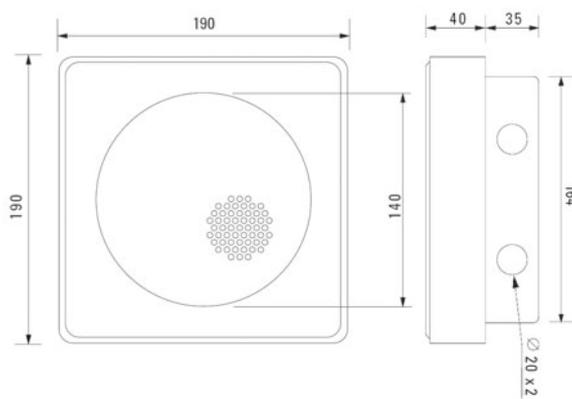


Part Number

ANI-S: Ani-Mate Sounder

Installation

Dimensions (mm)



Vimpex Limited

Star Lane, Great Wakering
Essex SS3 0PJ England
Tel: +44 (0) 1702 216999
Fax: +44 (0) 1702 216699
E-mail: sales@vimpex.co.uk
www.vimpex.co.uk



Shaping Alarm Technology