

AIT210

1.0 MP CMOS Network Turret Camera



Key Features

- 1/4" progressive scan CMOS
- Up to 1.0 megapixel
- 2.8 mm/4 mm/6 mm fixed focal lens
- 10 m IR range
- Dual stream
- Digital WDR (Wide Dynamic Range)
- 3D DNR (Digital Noise Reduction)
- PoE (Power over Ethernet)
- Mobile monitoring via mobile application

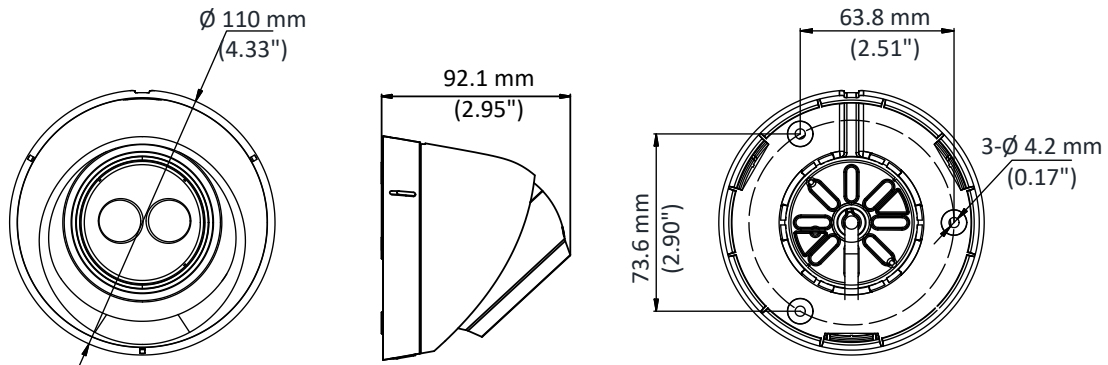
Specifications

Camera	
Image Sensor	1/4" progressive scan CMOS
Min. Illumination	0.01 Lux @(F1.2, AGC ON), 0 Lux with IR; 0.028 Lux @(F2.0, AGC ON), 0 Lux with IR
Shutter Speed	1/3 s to 1/10,000 s
Lens	4 mm, horizontal view angle: 73.1° (2.8 mm, 6 mm optional)
Lens Mount	M12
Day & Night	IR cut filter with auto switch
3-Axis Adjustment	Pan: 0° to 360°, tilt: 0° to 75°, rotation: 0° to 360°
DNR (Digital Noise Reduction)	3D DNR
Wide Dynamic Range	Digital WDR
Compression Standard	
Video Compression	H.264
H.264 Type	Baseline Profile/Main Profile
Video Bit Rate	32 Kbps to 2 Mbps
Image	
Max. Resolution	1280 × 720
Main Stream Max. Frame Rate	50Hz: 25fps @(1280 × 720) 60Hz: 30fps @(1280 × 720)
Sub-stream Max. Frame Rate	50Hz: 25fps @(640 × 480, 352 × 288, 320 × 240) 60Hz: 30fps @(640 × 480, 352 × 240, 320 × 240)
Image Settings	Brightness, saturation, contrast, sharpness are adjustable via web browser or client software
Day/Night Switch	Support auto, scheduled
Network	
Detection	Motion detection
Alarms	Video tampering, network disconnected, IP address conflicted
Protocols	TCP/IP, ICMP, HTTP, HTTPS, FTP, DHCP, DNS, DDNS, RTP, RTSP, RTCP, NTP, UPnP, SMTP, SNMP, IGMP, 802.1X, QoS, IPv6, Bonjour
Standard	CGI, ISAPI
General Function	Anti-flicker, heartbeat, mirror, password protection, privacy mask, watermark
Interface	
Communication Interface	1 RJ45 10M/100M Ethernet port
General	
Operating Conditions	-10 °C to 40 °C (-14 °F to 104 °F), Humidity 95% or less (non-condensing)
Power Supply	12 VDC ± 10%, PoE (802.3af)
Power Consumption	12 VDC, 0.33 A, Max. 4 W PoE (802.3af, 37 V to 57 V), 0.08 A to 0.13 A, Max. 5 W
IR Range	Up to 10 m
Dimensions	∅ 110 mm × 92.1 mm (∅ 4.33" × 3.19")
Weight	190 g (0.4 lb.)

Available Models

AIT210

Dimension



Accessory



HIA-B401-110T
Wall Mounting Bracket



HIA-B301
Vertical Pole Mounting Bracket



HIA-J102
Inclined Base Mounting Bracket



HIA-B201
Corner Mounting Bracket



HIA-J201
Inclined Base Mounting
Bracket