

AIT110

1.0 MP CMOS Network Dome Camera



Key Features

- 1/4" progressive scan CMOS
- Up to 1.0 megapixel
- 2.8 mm/4 mm/6 mm fixed lens
- Up to 30 m IR range
- 3D DNR
- IP67, IK10
- Mobile monitoring via mobile application

Specification

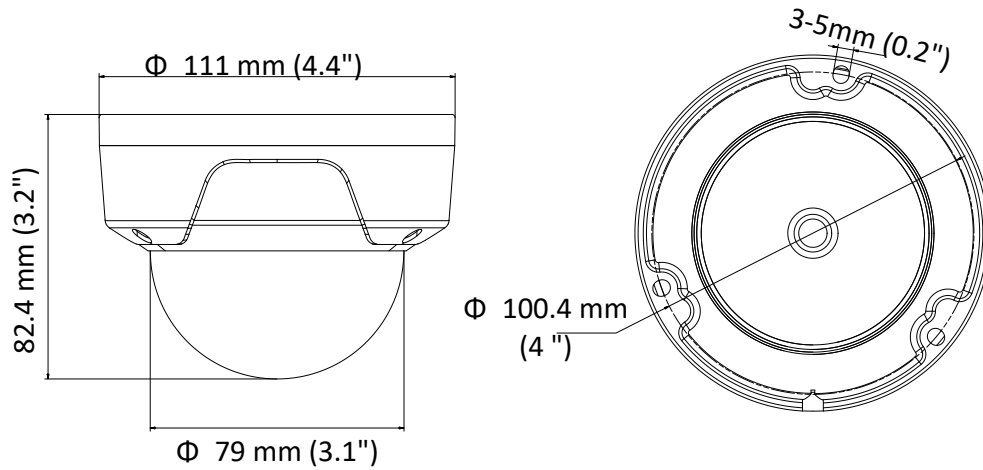
Camera	
Image Sensor	1/4" progressive scan CMOS
Min. Illumination	Color: 0.01 Lux @(F1.2, AGC ON), 0.028 Lux @(F2.0, AGC ON)
Shutter Speed	1/3 s to 1/100, 000 s, support slow shutter
Lens	2.8 mm, horizontal FOV 89°, vertical FOV: 50°, diagonal FOV: 102° 4 mm, horizontal FOV 68°, vertical FOV: 38°, diagonal FOV: 78° 6 mm, horizontal FOV 56°, vertical FOV: 31°, diagonal FOV: 64°
Lens Mount	M12
Day & Night	IR cut filter with auto switch
2-Axis Adjustment	Pan: 0° to 355°, tilt: 0° to 75°
DNR (Digital Noise Reduction)	3D DNR
WDR (Wide Dynamic Range)	DWDR
Compression Standard	
Video Compression	Main stream: H.264 Sub stream: H.264/MJPEG
H.264 Type	Baseline profile/Main profile
Video Bit Rate	32 Kbps to 2 Mbps
Smart Feature-set	
Region of Interest	1 fixed region for main stream and sub-stream
Image	
Max. Resolution	1280 × 720
Main Stream Max. Frame Rate	50Hz: 25fps (1280 × 720) 60Hz: 30fps (1280 × 720)
Sub-stream Max. Frame Rate	50Hz: 25fps (640 × 480, 640 × 360, 320 × 240) 60Hz: 30fps (640 × 480, 640 × 360, 320 × 240)
Image Settings	Brightness, saturation, contrast, sharpness are adjustable via web browser or client software
Day/Night Switch	Auto, scheduled, day, night
Image Enhancement	BLC, 3D DNR
Network	
Alarm Trigger	Motion detection, video tampering alarm, illegal login
Protocols	TCP/IP, ICMP, HTTP, HTTPS, FTP, DHCP, DNS, DDNS, RTP, RTSP, RTCP, NTP, UPnP, SMTP, IGMP, 802.1X, QoS, IPv6, Bonjour
General Function	Anti-flicker, heartbeat, mirror, password protection, privacy mask, watermark
Firmware Version	V5.5.5
API	ONVIF (PROFILE S), ISAPI
Simultaneous Live View	Up to 6 channels
User/Host	Up to 32 users 3 levels: Administrator, Operator and User
Client	iVMS-4200, iVMS-4500, iVMS-5200, Hik-Connect
Web Browser	IE8+, Chrome 31.0-44, Firefox 30.0-51, Safari 8.0+
API	ONVIF (PROFILE S), ISAPI
Interface	
Communication Interface	1 RJ45 10M/100M self-adaptive Ethernet port
General	
Operating Conditions	-30 °C to 60 °C (-22 °F to 140 °F), humidity: 95% or less (non-condensing)
Power Supply	12 VDC ± 25%, PoE (802.3af), class 3
Power Consumption	12 VDC, 0.4 A, Max. 4.5 W

	PoE (802.3af, 36 V to 57 V), 0.2 A to 0.1 A, Max. 6.5 W
Protection Level	IP67
IR Range	Up to 30 m
Material	Without –M model: Bubble: plastic, front cover: plastic, bottom base: metal –M model: Bubble: plastic, front cover: metal, bottom base: metal
Dimensions	Φ 111 mm × 82.4 mm (4.4" × 3.2")
Weight	Without –M model: 420 g (0.9 lb.) With –M model: 480 g (1.1 lb.)

Available Models

AIT110 (2.8/4/6 mm)

Dimension



Accessory



HIA-J204

Inclined Base Mounting Bracket



HIA-B301

Vertical Pole Mounting Bracket



HIA-B401-110

Wall Mounting Bracket



HIA-J104-DM18

Junction Box



HIA-B101-110

Pendant Mounting Bracket



HIA-B201

Corner Mounting Bracket