

AIB210 1.0 MP CMOS ICR Network Bullet Camera



Key Features

- 1/4" progressive scan CMOS
- Up to 1.0 megapixel
- 4 mm/6 mm fixed focal lens
- Up to 30 m IR distance
- Dual stream
- Digital wide dynamic range
- 3D DNR (Digital Noise Reduction)
- PoE (Power over Ethernet)
- IP67
- Mobile monitoring via mobile application

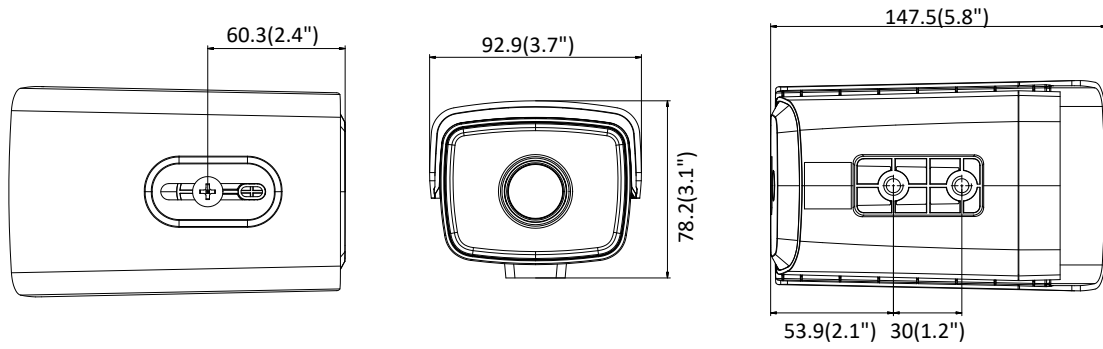
Specifications

Camera	
Image Sensor	1/4" progressive scan CMOS
Min. Illumination	0.01 Lux @(F1.2,AGC ON), 0 Lux with IR
Shutter Speed	1/3 s to 1/10,000 s
Lens	4mm, horizontal view angle: 73.1° (6 mm, optional)
Lens Mount	M12
Day & Night	IR cut filter with auto switch
DNR (Digital Noise Reduction)	3D DNR
WDR (Wide Dynamic Range)	Digital WDR
Compression Standard	
Video Compression	H.264
H.264 Type	Baseline Profile/Main Profile
Video Bit Rate	32 Kbps to 8 Mbps
Dual Streams	Support
Image	
Max. Resolution	1280 × 720
Main Stream	50Hz: 25fps @(1280 × 720) 60Hz: 30fps @(1280 × 720)
Sub-stream	50Hz: 25fps @(704 × 576) 60Hz: 30fps @(704 × 576)
Others	Mirror, BLC (area configurable), brightness, contrast, saturation
Network	
Detection	Motion detection
Alarms	Video tampering, network disconnected, IP address conflicted
Protocols	TCP/IP, ICMP, HTTP, HTTPS, FTP, DHCP, DNS, DDNS, RTP, RTSP, RTCP, NTP, UPnP, SMTP, SNMP, IGMP, 802.1X, QoS, IPv6, Bonjour
Standard	ISAPI
General Function	Anti-Flicker, dual stream, heartbeat, mirror, password protection, privacy mask, watermark
Interface	
Communication Interface	1 RJ45 10M/100M Ethernet port
General	
Operating Conditions	-30 °C to 60 °C (-22 °F to 140 °F), humidity 95% or less (non-condensing)
Power Supply	12 VDC ± 10%, PoE (802.3af)
Power Consumption	12 VDC, 0.33 A, Max. 4 W PoE (802.3af, 37 V to 57 V), 0.08 A to 0.13 A, Max. 5 W
IR Distance	Up to 30 m
Protection Level	IP67
Dimensions	147.5 mm × 78.2 mm × 92.9 mm (5.8" × 3.1" × 3.7")
Weight	Approx. 350g (0.8 lb.)

Available Models

AIB210

Dimension



Unit: mm

Accessory



HIA-B405ZJ (Standard)
Wall Mounting Bracket



HIA-B102ZJ (Optional)
Pendent Mounting Bracket