



## Intrunet™ ADM-I12W1

### E-Line passive infrared detector

#### Wireless

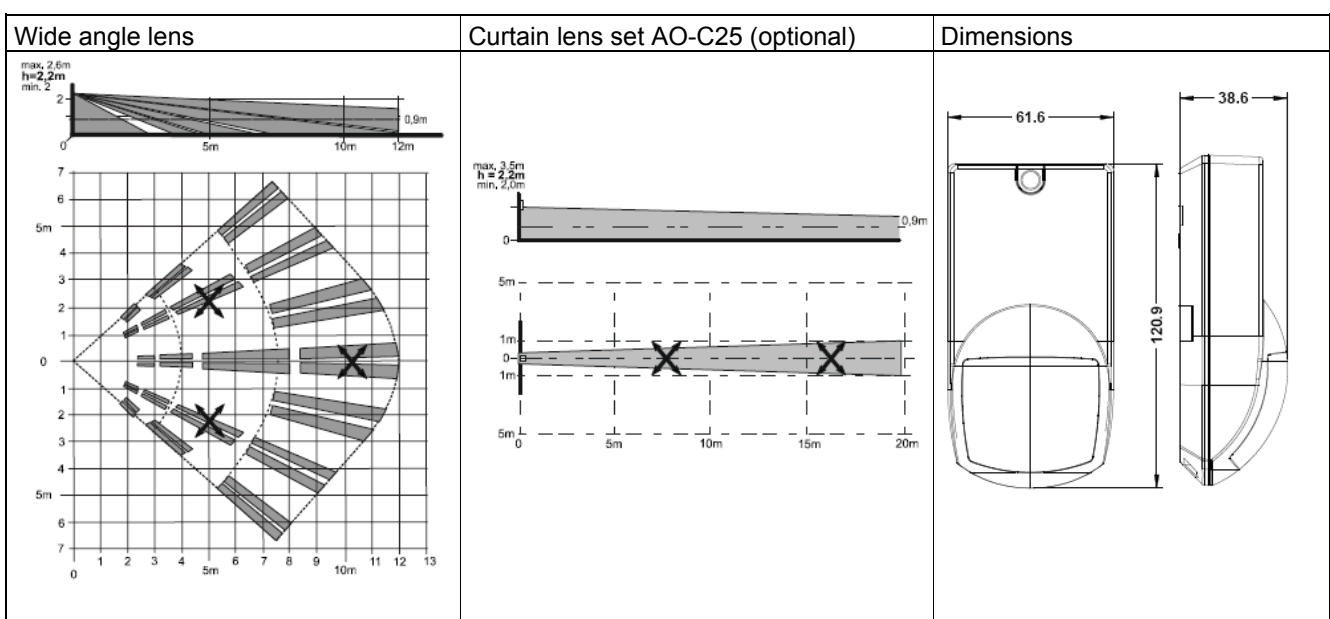
---

- SiWay wireless protocol consistent with Siemens SPC, SI and IC panels (incl. gateways)
- Infinitely variable range from 6 to 18 m wide angle, 20 m curtain (optional)
- Detection sensitivity adjustable
- Pet immunity up to 12 / 30 kg
- Family design for simplest detector exchange

**The shortest installation time.** The range of E-Line detectors was designed with the installer in mind. The E-Line is ideally applicable for a wide range of standard installations. It stands for shortest installation time thanks to the wireless detector ADM-I12W1 plus the well known “snap-in” enclosure. The robust SiWay protocol facilitates the simplest and fastest installation consistent with the alarm panel types Siemens SPC, SI und IC60 (including its SiWay wireless gateways). The time consuming detector wiring and fault handling is history.

**The highest installation flexibility.** The E-Line delivers new levels of installation flexibility to adapt the detectors to its environment. All detectors uniquely possess wide range and sensitivity settings – dual detectors enable even independent adjustment of PIR and microwave channel. The E-Line feature two levels of pet immunity with simplest handling for creep zone protection of anti-mask detectors. Even if already installed, all detectors can be easily exchanged thanks to the family design.

## Coverage areas and dimensions



## Technical data

|                                           |                                                                     |
|-------------------------------------------|---------------------------------------------------------------------|
| Battery                                   | Lithium, 3 VDC<br>Type: xx123<br>Size: 2/3 AA<br>Capacity: 1550 mAh |
| Wireless Protocol                         | SiWay                                                               |
| Identification                            | ID serial number 24 Bit                                             |
| Range of wireless module                  | Up to 300 m outdoors                                                |
| Frequency:                                |                                                                     |
| – ADM-I12W1                               | 868 MHz                                                             |
| – ADM-I12W2                               | 916 MHz                                                             |
| Pet immunity                              | < 12 kg / < 30 kg                                                   |
| Coverage area wide angle / curtain        | 6-18 m (nom. 12 m) / 20 m                                           |
| Walking speeds                            |                                                                     |
| – Wide area lens / curtain lens AO-C25    | 0,1 ... 4,0 m/s / 0,1 ... 4,0 m/s                                   |
| Security grade                            | Grade 2                                                             |
| Environmental class                       | Class II                                                            |
| EN50131-2-2:2008                          |                                                                     |
| EN50131-5-3:2008                          |                                                                     |
| Environmental conditions                  |                                                                     |
| – Operating temperature                   | - 10 to + 50°C                                                      |
| – Storage temperature                     | - 20 to + 60°C                                                      |
| – Humidity (EN 60721)                     | < 85% r.h., non condensing                                          |
| – EMI rejection up to 2GHz                | 10 V/m                                                              |
| – Housing protection (EN 60529, EN 50102) | IP41 / IK02                                                         |

## Details for ordering

| Type      | Art. No.         | Designation                  | Weight   |
|-----------|------------------|------------------------------|----------|
| ADM-I12W1 | S54538-F105-A100 | PIR Wireless 868MHz Detector | 0,130 kg |
| AO-C25    | S54539-F102-A100 | Curtain lens set (12 pcs)    | 0,080 kg |
| AO-WL10k  | S54539-F103-A100 | Light filter (12 pcs)        | 0,020 kg |
| AZ-MBG2   | S54539-F105-A100 | Mounting Brackets Grade 2    | 0,020 kg |

Siemens Schweiz AG  
International Headquarters  
Fire Safety & Security Products  
Gubelstrasse 22  
CH – 6301 Zug  
Tel. +41 41 724 24 24  
Fax +41 41 724 35 22  
www.sbt.siemens.com

© 2009 Copyright by  
Building Technologies Group

Data and design subject to change without notice.  
Supply subject to availability.