

→ ACC Modular Columns



ACC2FBLA

Fixed height range 4.5m - 10m
Tilt-down height range 4.5m - 15m

Altron Camera Columns, a cost effective and comprehensive range with most models available 'ex stock', offering a good level of security. Suitable for installations where the public has access - tilt-down models have internal padlock facility. The range is generally for light to medium fixed and PTZ applications, but there are also heavy duty (HD) options for high loading PTZ and dual lighting & CCTV applications.

Typically used for the following types of installation

- o Industrial and commercial premises
- o Perimeter detection
- o Utilities sites
- o Schools and universities
- o Railway platforms & car parks
- o Car parks
- o Petrochemical sites
- o Sports stadia

Security Features

- o Internal cabling
- o Internal padlock facility on tilt-down models to protect against unauthorised lowering
- o Close fitting flush doors
- o Solid secure heavy duty door locks

General Features

- o Modular construction for ease of assembly and installation on site
- o Ideal for restricted access areas
- o Provides stable mounting platform for all camera types
- o Demountable winches ensure tilt down models are secure and reduces costs on multiple installations
- o Tilt Down models enable camera maintenance at ground level, therefore reducing maintenance costs
- o Tilt Down models available in both bolt down and post mounted base versions
- o A wide range of standard Altron Accessories and Brackets available ex stock
- o Quick turnaround for larger projects
- o Constructed in high tensile steel and hot dip galvanised after fabrication for durability
- o Option of painting over the galvanised finish in colours available from BS and RAL colour charts
- o For design, manufacturing and finishing standards, see details on page 107



Tilt-down columns have the facility to be padlocked internally



All columns have flush fitting doors

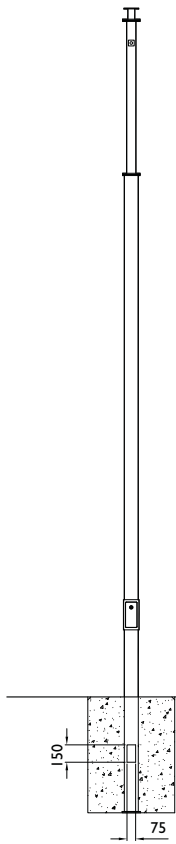


ACC2BPLA in tilted position

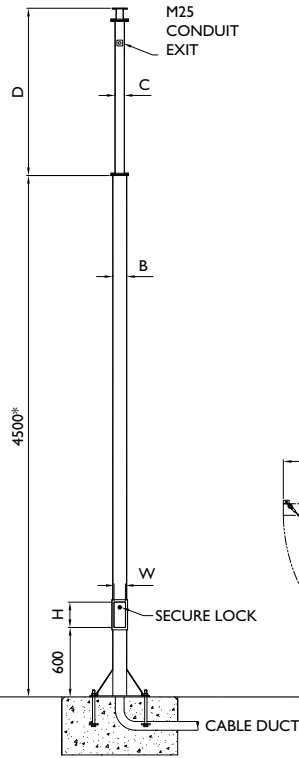
ACC Modular Columns ← Technical Specifications

ACC

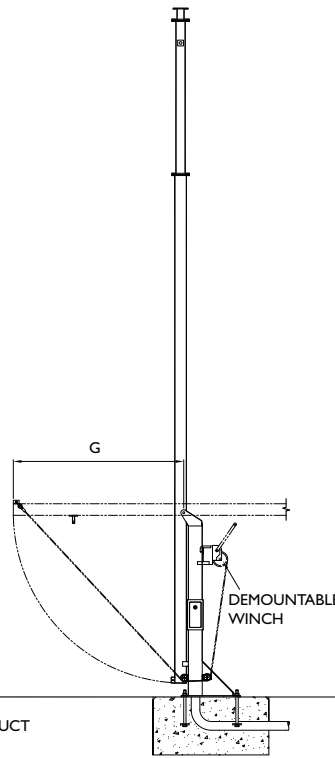
EB
Embedded Base



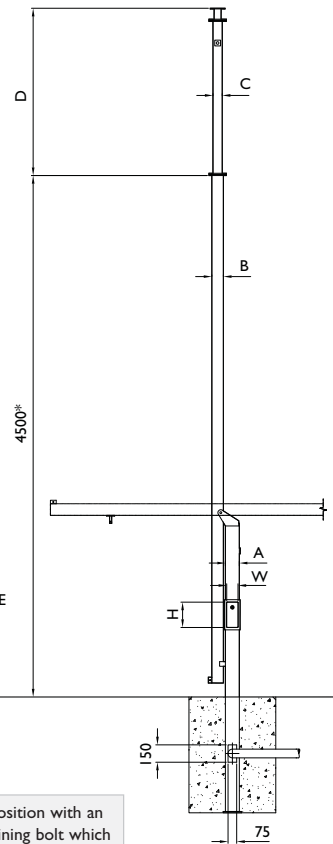
FB
Fixed Base



BP
Base Post



PM
Post Mounted



All camera mounting plates are Ø 127 with 8 No Ø 8.5 equi-spaced on 101.6 PCD. Ø 40 thro' column spacer

Tilt down columns are fixed in the vertical position with an M20/M24 nut screwed onto the column retaining bolt which enters into the secure access hatch through the front of the post. This is then padlockable to stop unauthorised tilting.

* On models ACC4HD, ACC12 & ACC15 this dimension = 4900

FOR FOUNDATION AND BOLTING DETAILS REFER TO PAGE 21

Model No.	Height in mtrs	Post type	Max equip weight at top kgs	Max equip surface area m ²	Post size A ²	Lower section B ²	Mid section B ²	Upper section C ²	Extension length D mtrs	Door aperture size HxW	Column Rear clearance when tilting G	Winch part number	Product weight kgs
ACC1 Standard Duty	4.5	FB/EB	35	0.3	-	100	-	-	-	250x70	-	-	68
		PM	35	0.3	120	100	-	-	-	270x80	1700	DW1000/AC	100
		BP	35	0.3	120	100	-	-	-	270x80	1700	DW1000/AC	115
ACC2 Standard Duty	6	FB/EB	25	0.2	-	120	-	90	1.5	270x80	-	-	114
		PM	25	0.2	120	100	-	80	1.5	270x80	1700	DW1000/AC	115
		BP	25	0.2	120	100	-	80	1.5	270x80	1700	DW1000/AC	130
ACC2HD Heavy Duty	6	FB/EB	35	0.3	-	150	-	100	1.5	280x110	-	-	144
		PM	35	0.3	120	120	-	90	1.5	270x80	1700	DW1000/AC	138
		BP	35	0.3	120	120	-	90	1.5	270x80	1700	DW1000/AC	157
ACC3 Standard Duty	7.5	FB/EB	25	0.2	-	150	-	100	3	280x110	-	-	161
		PM	25	0.2	150	120	-	90	3	280x110	2000	DW1500/AC	189
		BP	25	0.2	150	120	-	90	3	280x110	2000	DW1500/AC	193
ACC3HD Heavy Duty	7.5	FB/EB	50	0.3	-	200	-	120	3	315x150	-	-	178
		PM	50	0.3	150	150	-	100	3	280x110	2000	DW1500/ACHD	218
		BP	50	0.3	150	150	-	100	3	280x110	2000	DW1500/ACHD	222
ACC4 Standard Duty	9	FB/EB	25	0.16	-	150	-	100	4.4	280x110	-	-	197
		PM	25	0.16	150	150	-	100	4.4	280x110	2000	DW2500/AC	244
		BP	25	0.16	150	150	-	100	4.4	280x110	2000	DW2500/AC	248
ACC4HD Heavy Duty	10	FB/EB	50	0.5	-	200	-	150	4.9	315x150	-	-	305
		PM	50	0.5	200	200	-	150	4.9	315x150	2600	DW2500/ACHD	492
		BP	50	0.5	200	200	-	150	4.9	315x150	2600	DW2500/ACHD	500
ACC12	12	PM	35	0.3	200	200	150	100	i 4.9	ii 315x150	2600	DW2500/ACHD	518
		BP	35	0.3	200	200	150	100	4.9	315x150	2600	DW2500/ACHD	526
ACC15	15	PM	25	0.16	200	200	150	100	4.9	315x150	2600	DW2500/ACHD	555
		BP	25	0.16	200	200	150	100	4.9	315x150	2600	DW2500/ACHD	563

Where payloads are greater than those stated above, please contact Altron
EB Version is directly embedded
All dimensions in mm unless stated otherwise

Accessories	
Top mounting brackets for Fixed and PTZ cameras	P76
Swanneck brackets for Dome cameras	P81
Anti-climb guards	P77
Clamp-on camera mounting brackets	P78
Telemetry box mounting brackets	P77
Column top mounting cages	P83
Quick reference	
Single fixed camera knuckle	PTS-1
Twin fixed camera bracket	TB2-600F
Half swanneck for dome	AW1699H
Full swanneck for dome	AW1699F
Anti climb guard	SGC
Telemetry bracket	ATBC