



A50E-2

Addressable line relay module

Miniature addressable relay

The A50E-2 is an addressable relay providing single pole, volt free, change over contacts. The unit is intended for installation within the equipment to be switched, thereby offering savings in installation costs when compared to long, auxiliary circuit, wiring runs out from the control panel.

Complying with EN54 Part 18, the relay can be located anywhere on the two core ZP loop and is designed for power up or shut down of building services, for example air conditioning plant, in fire conditions.

The unit is ideal for the control of associated system equipment such as door release circuits, or the emergency shutdown of high risk services, for instance gas or oil supply valves in boiler rooms.

Low profile moulding

The relay can be programmed to be activated by any single device, groups of devices or all system devices. All types of system input signals can be arranged to operate the A50E-2, which can include control panel indicators, zonal outputs, callpoints or sensors.

Housed in a low profile, double width moulding the interface is designed to clip directly onto a standard DIN rail fixing or be installed in a SMB-DIN100 box (one unit capacity), or a SMB-DIN200 box (two unit capacity).

LED indication

A red LED indicator positioned on the front moulding flashes when the interface has operated, providing clear identification of the input signal source. Installed as part of an analogue addressable system, up to 127 line devices (sensors, callpoints or interface units) can be connected to each of the control panel loops. All loop devices incorporate switch settings enabling them to be assigned a unique address, which is polled by the panel every two seconds.



Standard Features

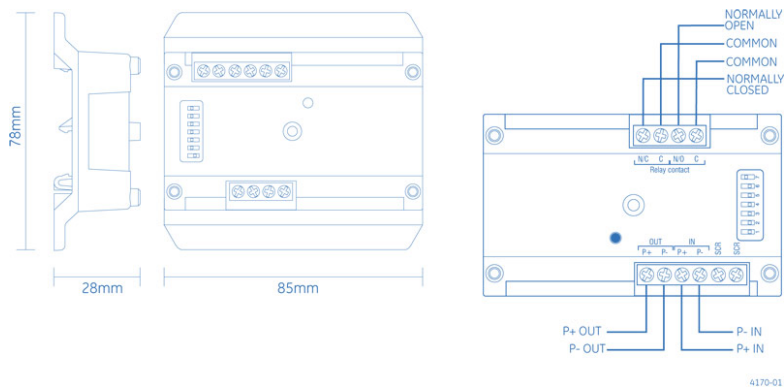
- Addressable interface unit
- Complies with EN54 Part18
- Low profile
- DIN rail mounted
- Loop wired - adjacent to equipment to be switched
- Operated from any combination of input addresses
- Volt free, change over contacts

A50E-2

Addressable line relay module

Specifications

Model No	A50E-2
Specification	EN54 Part 18
Description	Addressable relay module
Compatibility	All ZP analogue addressable systems
Mounting	Equipment cabinet DIN rail, or SMB-DIN 100, SMB-DIN200 surface boxes
Wiring	2 core loop (screened)
Operating voltage	Pulsed ZP loop (19.5 – 20.5V) with max 4 Volt line loss.
Current	600uA quiescent, 700uA alarm
Relay contacts	Single pole, change over
Max switching current	1.0 A
Max switching voltage	30Vdc
Indication	LED (red) flashing on operation
Application	Indoor installation
EN60529 rating	IP20
Temperature range	-10°C to +75°C
Humidity range	20% to 95% RH (non condensing)
EMC	CE marked (EEC89/336)
Material	Moulded ABS
Dimensions	45mm (W) x 78mm (H) x 28mm (D)
Colour	White
Weight	40g
Publication No	PS1761



Ordering Information

Part No.	Description
A50E-2	Addressable line relay module

As a company of innovation, GE Security reserves the right to change product specifications without notice. For the latest product specifications, visit GE Security online or contact your GE Security sales representative.

IPS-A50E-2-2007-07-31 11:20:19 Released : 18.07.2007

UK Sales: 8 Newmarket Court, Chippenham Drive, Kingston, Milton Keynes, MK10 0AQ, United Kingdom, Telephone +44 (0) 1908 281981, Fax +44 (0) 1908 282554
South Africa: Zitton House, 555 Voortrekker Road, Maitland, 7405, P.O. Box 181, Maitland, 7404, South Africa, Telephone +27 (0)21 506 6000, Fax +27 (0)21 506 6050