

8K-1S/A

8000 SERIES AUDIOKIT

The circuitry of the outdoor stations provided with these kits, has a built-in lock relay to enable the electric lock. This reduces the cable requirements to only 4 ("3+1") between the outdoor station and the intercom. This reduced cable requirement allows longer cable runs and reduced cable sizes to be used between the two units.

8K-1

One button door entry kit comprised of:

1 Outdoor station including a one call button speaker unit Art.8836M-1, flush mounting box with module support and hinge Art.8851 plus covering frame Art.8861. Standard finishes: mirror stainless steel for the front plate and aluminium for the module support.

1 Art.3011 3000 Series Smart Line wall mount telephone with "door open" push button and electronic call tone with adjustable volume on 3 levels.

1 Art.321 Power Supply in a type A 3 module DIN box.

Packing: box 30.5x29x7cm total weight 1.4 Kg.

8K-2

As 8K-1 but two button version with 2 intercoms and 2 call push button speaker unit Art.8836M-2. Packing: box 41x39x7cm total weight 1.75 Kg.

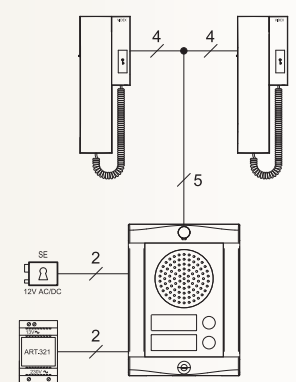
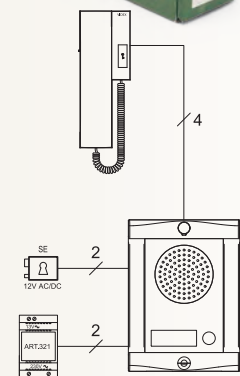
8K-1S, 8K-2S

As above door entry kits but with surface mounting box Art.8881.

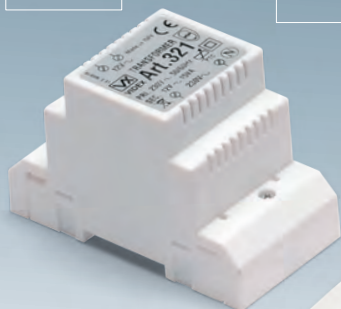
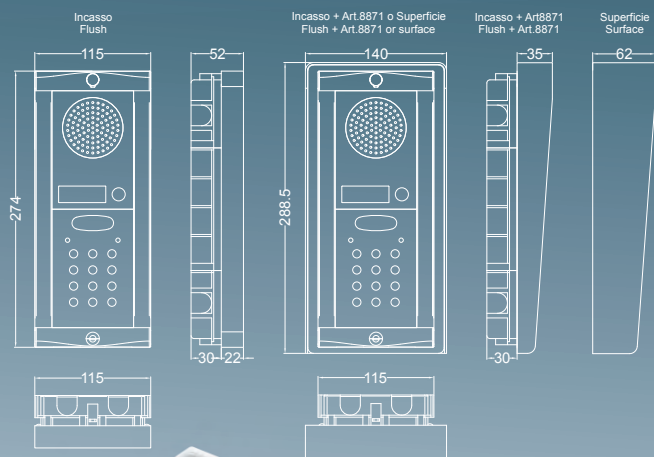
Packing: the same as the flush version but with a total weight of 1.85 Kg for one button version and 2.2 Kg for two button version.

For flush mounting outdoor station, a rainshield Art.8871 is available to install instead of the covering frame.

The module support, the module front plate and the rainshield are available in other finishes, see pictures 3 on page 28 for available versions and additional suffix to use for orders.



DK8K-1S/A/BL



8000 SERIES DIGIPHONE KIT

As 8K1 audio kit with the addition of a codelock module Art.8800.

DK8K-1

One button door entry kit comprised of:

1 Outdoor station including a one button speaker module Art.8836M-1, a digital codelock (Art.8800 Codelock module, 2 codes / 2 relays outputs with illumination panel), flush mounting box with module support and hinge Art.8852 plus covering frame Art.8862. Standard finishes: mirror stainless steel for the front plate and aluminium for the module support.

1 Art.3011 3000 Series Smart Line wall mount telephone with "door open" push button and electronic call tone with adjustable volume on 3 levels.

1 Art.321 Power Supply in a type A 3 module DIN box.

Packing: box 30.5x29x7cm total weight 2.1 Kg.

DK8K-2

As DK8K-1 but two button version with 2 call button speaker unit Art.8836M-2 and 2 intercoms.

Packing: briefcase 40x32x9cm total weight 2.8 Kg.

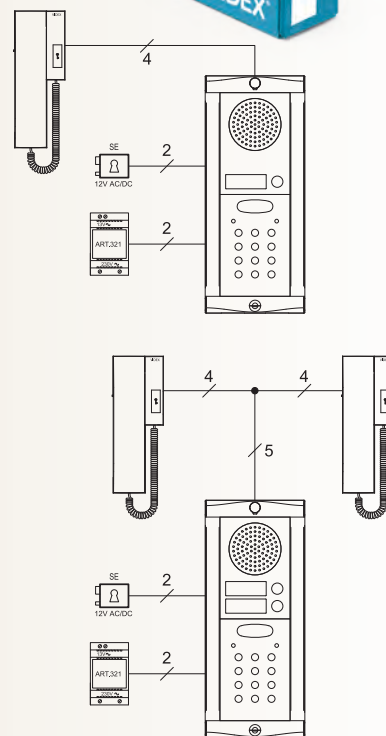
DK8K-1S, DK8K-2S

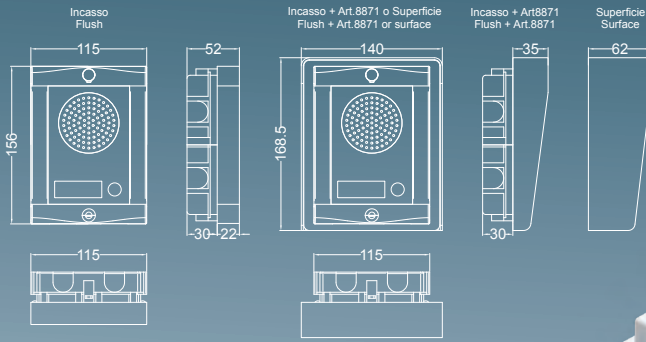
As kits above but with surface mounting box Art.8882.

Packing: the same as the relevant flush mount version but with total weight 2.6 Kg for one button version and 3.3 Kg for 2 button version.

For flush mounting outdoor station, an option rainshield Art.8872 is available instead of the covering frame.

The module support, the module front plate and the rainshield are available in other finishes, **see picture 3 on page 28** for available versions and additional suffix to use for orders





IK8K-1S/A

INTERKIT

Interkits, are available in one button and two button versions, the interkit forms a small intercommunicating system between 2 intercoms with an external call unit. The intercommunicating call is identified with an electronic tone and the external call unit with a buzzer. This feature provides an ideal solution for houses or offices which are on 2 different floors.

IK8K-1

One button door entry kit comprised of:

1 Outdoor station including a one call button speaker unit Art.88361-1, flush mounting box with module support and hinge Art.8851 plus covering frame Art.8861. Standard finishes: mirror stainless steel for the front plate and aluminium for the module support.

2 Art.3002 3000 series Smart line telephone with "Door open" and "Service" push buttons, buzzer call and electronic call tone with adjustable volume on 3 levels.

1 Art.321 Power Supply in a type A 3 module DIN box.

Packing: briefcase 40x32x9cm total weight 2.1 Kg.

IK8K-2

As IK8K-1 but two button version with 2 call push button speaker unit Art.88361-2. The 2 intercoms are communicating but external calls are different for each phone.

Packing: as above total weight 2.1 Kg.

IK8K-1S, IK8K-2S

As door entry kits above but with surface mounting outdoor station.

Packing: as above total weight 2.2 Kg.

For flush mounting outdoor station, a rainshield Art.8871 is available to install instead of the covering frame.

The module support, the module front plate and the rainshield are available in other finishes, **see picture 3 on page 28** for available versions and additional suffix to use for orders.

