

Aspirating Smoke Detection

FAAST™ 8100E

FAAST is a ground breaking aspirating solution designed to deliver highly accurate and discreet early warning fire detection.



The FAAST™ Aspirating smoke detector combines dual source (blue LED and infra-red laser) optical smoke detection with advanced algorithms to detect a wide range of fire types while maintaining enhanced immunity to nuisance particulates. This enables FAAST™ to accurately detect incipient fire conditions as early as 30 minutes before a fire actually starts in Class A and Class B fire detection.

Key Features

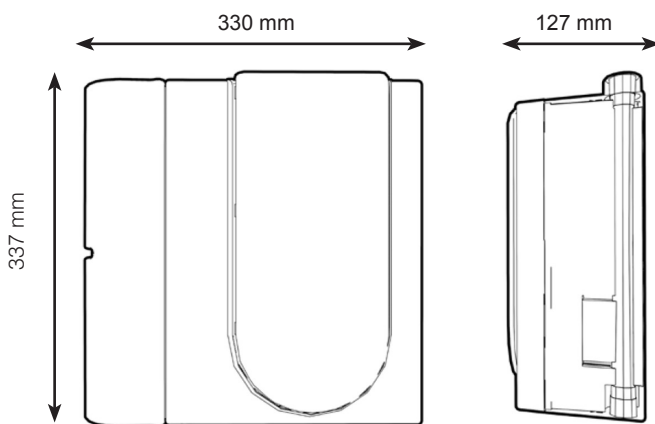
- Detection as precise as 0.0015%/m obscuration
- Integral Ethernet interface enables remote monitoring and e-mail status updates
- Patented particle separator and field-replaceable filter remove contaminants from the system
- Five alarm levels & two sensitivity modes
- Dual flow detection including both ultrasonic and electronic sensing for pipe and chamber air flow measurement
- Protects up to 2,000 square metres
- Advanced detection algorithms reject common nuisance conditions
- PipelQ™ software provides intuitive system layout, configuration, and monitoring all in one package
- Fault indicators covering a broad spectrum of events
- Unique air flow pendulum graph verifies pipe network functionality
- Particulate graph displays subtle environmental changes for early problem indications

FAAST 8100E

TECHNICAL SPECIFICATION

MECHANICAL SPECIFICATION		ELECTRICAL	
FAAST™ 8110E			
Height	337 mm	External Supply Voltage	18-30 VDC
Width	330 mm	Remote Reset Time	External monitor must be pulled low for a minimum of 100 ms
Depth	127 mm		
Cable Access	2.54 cm cable entry holes on top and bottom of unit	Power Reset	1 sec.
Wire Gauge	max. 2.0 mm min. 0.5 mm	Avg. Operating Current	500 mA @ 24 VDC
Maximum Single Pipe Length	120m	Alarm	650 mA – All relays active, all alarm levels displayed. Voltage @ 24 VDC
Maximum Total Branched Pipe Length	320m		
Maximum Air Inlet Holes	36 holes		
Network Outside Pipe Diameter	25 mm	Maximum Current Draw	650 mA Voltage at 18 VDC
Internal Pipe Diameter	15-21 mm	ENVIRONMENTAL	
Relays	8 changeover contacts, 3 AMP, latching or non-latching	Operating Temperature	0°C to 38°C
		Sampled Air Temperature	-20°C to 60°C
Event Log	18,000 events stored	Humidity Range	10 to 95% (non-condensing)
Sensitivity Range (obscuration)	0.0015%/m. obs - 20.5%/m obs	IP Rating	IP30
Communication Network	Ethernet monitoring, 6 e-mail address alerts	Coverage Area	Up to 2000sq. m

Dimensions





FAAST™ User Interface Display

The User Interface consists of 5 Alarm levels Alert, Action 1, Action 2, Fire 1, and Fire 2, 10 Particulate levels, 10 Bi-colour Flow and Fault graph



Product Range

DESCRIPTION	ORDER CODES
 FAAST high sensitivity laser aspirating unit. Includes built in replaceable filter.	8100E
FAAST specific accessories	
 FAAST Replacement internal filter	F-A3384-000

For a full range of filters, pipework and accessories please refer to your price list.

Honeywell

Tel: +44 (0) 116 246 2000
Fax: +44 (0) 116 246 2300
Email: hlsuksalesupport@honeywell.com
140 Waterside Road
Hamilton Industrial Park
Leicester
LE5 1TN

November 2014
© 2014 Honeywell International Inc.

Honeywell