

710r



COOPER Security

Scantronic

This product complies with the requirements of European Directive: **1995/5/EC** (Radio & Telecommunications Terminal Equipment Directive).

For more information see: www.coopersecurity.co.uk.

© Cooper Security Limited 2006

Every effort has been made to ensure that the contents of this leaflet are correct . However, neither the authors nor Cooper Security Limited accept any liability for loss or damage caused or alleged to be caused directly or indirectly by this leaflet. The contents of this leaflet are subject to change without notice.

Printed and published in the U.K.

Fig. 1

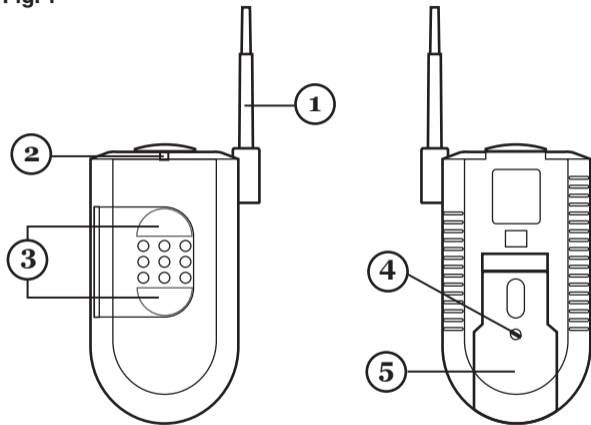


Fig. 2

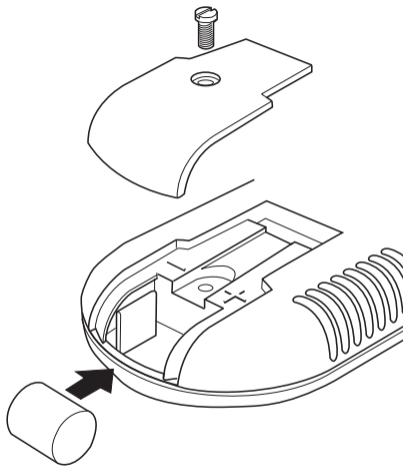
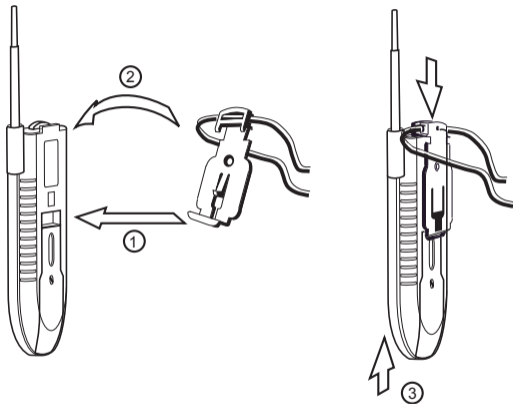


Fig. 3



INTRODUCTION

The 710r Pendant Transmitter is designed for use as a trigger for the Homelink 75 system, 9960, RFX08 and RFX16, or for the 762r and 768r/769r receivers. The Transmitter comprises a plastic case that can either be worn round the neck as a pendant, or clipped to a pocket. The aerial is outside the case, and the unit is powered by a long life lithium battery. Figure 1 shows the general layout of the 710r.

1. Aerial.
2. Activity LED.
3. Push buttons.
4. Screw
5. Battery compartment cover.

TECHNICAL SPECIFICATION

Part No.:	710rEUR-00
Power Supply:	3V Lithium power cell CR-1/3N
Battery Life:	Minimum 75,000 operations over a seven year period.
Temperature Range:	-10 to +55°C
Dimensions (mm):	113H x 46W x 18D (including aerial)
Weight:	nn gms (including battery)
Display	One LED for transmitter activity and learning.
Security	EN510131 Grade 2
Environment	Class II
Radio Section	Operating frequency 868.6625MHz at 20kHz bandwidth. ETS EN300 220.

Transmitter range Up to 900m free space (range depends on the receiver aerial and the nature of the receiving path).

Compatible Equipment

7500r/7510	Homelink 75 control unit
762r	Two channel receiver
768r/769r	8 channel receiver
790rEUR-00	Signal Strength Meter.
9960	9x5x Radio Expander
RFX08/16	9x5x Radio Expanderl

PREPARING THE 710R FOR USE

Figure 3 shows how to fit the pendant or pocket clip.

SETTING UP

Each transmitter contains a unique identity code that it sends every time you press and hold both buttons. You must set your receiver up to recognise this code in order to make sure that the receiver responds to your own transmitter and no-one else's. Read the relevant instructions for the receiver for more information.

Note that if you use the activity LED to make the receiver learn the transmitter's identity then LED is brightest from the top of the unit. (Note that Homelink 75 does not use the activity LED to learn the transmitter's identity, it uses the transmitter's radio signals.)

Changing the Battery

Test the battery every month by pressing and holding down ONE button only. After a second the activity LED will flash once to show that the battery is good.

If the activity LED does not flash then change the battery. Undo the screw holding down the battery cover (see Figure 2). Remove the old battery and insert the new one, observing the polarity as shown. Refit battery cover and screw.

Battery care

PAY ATTENTION TO THE METHOD OF DISPOSAL. DO NOT:

DISPOSE OF THE BATTERY IN A FIRE.

ATTEMPT TO OPEN THE BATTERY.

HIT THE BATTERY WITH A HEAVY OBJECT.

SHORT CIRCUIT THE BATTERY - THERE IS A RISK OF EXPLOSION.

ATTEMPT TO RECHARGE THE BATTERY.

Contact Cooper Security Ltd. for further disposal information.

OPERATION

To use the Transmitter press and hold down both buttons at the same time for at least one second. The Transmitter sends a signal to the receiver and flashes the activity LED to show that it is working.

TESTING

Determine the limits of the transmitter's range and inform the user of these limits. Check that the unit will function in all areas where the user EXPECTS it to function and point out any discrepancies.

CAUTION

Transmitter range depends on the receiver aerial and the nature of the receiving path.

To reduce the problems, there are a number of simple guide-lines that can be followed:

NEVER use the transmitter on a metal surface, including foil-backed wallpaper.

AVOID using the transmitter closer than one metre (3ft) from any computers or other high-powered electrical devices.



NL: Cooper Security Ltd
Terheydenseweg 465
4825 BK Breda
NEDERLAND

Tel: +31 (0)76 5729944
Fax: +31 (0)76 5729949
www.cooper-security.nl

Fr: Cooper Security
9-11 rue des Raverdis
92230 GENNEVILLIERS - France
Tél. : 01.41.11.32.90
Fax : 01.41.11.32.91

It: Cooper Security Limited
Via Meucci 10
20094 Corsico -MI-
ITALIA

TEL: +39 (0)2 45 86 73 96
FAX: +39 (0)2 45 01 509

Pt: Pretrónica-Precisão Eletrónica, Lda.
Parque Industrial Serra das Minas
Av. Irene Lisboa, Lote 19, Armazém C, Piso 2
2635-001 Rio de Mouro
Portugal
Tel: +351 219 198 500
Fax: +351 219 198 501

ES: J.M. Systems-Com, S.L.
Ronda Isaac Peral, 9
Parc Tecnologic – Paterna
Valencia 46980
Telf. Serv. Técnico: 902 15 34 90
Lunes a jueves de 8:30 – 13:30 y 15:30 – 18:30
Viernes de 8:30 – 14:30
Fax: 96 131 81 42
E-mail: info@jmsystems.es
servicio.tecnico@jmsystems.es

UK: Cooper Security Ltd
Security House
Vantage Point Business Village
Mitcheldean
Gloucestershire
GL17 0SZ
Product Support (UK) Tel: +44 (0)870 757 5400
Available between:
08:15 and 17:00 Monday to Friday,
Product Support Fax: +44 (0)1594 545401

Part No. 11684459 Issue1
www.coopersecurity.co.uk