

Loudspeaker

40W Column Loudspeaker

Honeywell's Voice alarm column loudspeaker complies with BS 5859 part 8 and EN54 part 24.



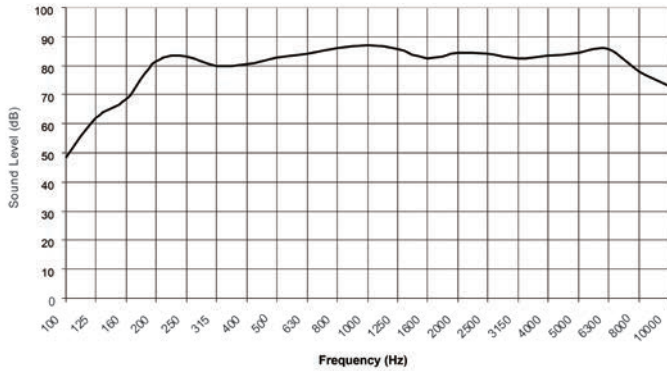
Technical Specifications

SPECIFICATION	
ELECTRICAL	
Max power	60 W
Rated power	40 W
Power tapping	40 W / 20 W / 10 W / 5 W
SPL at 1W/1M (100Hz - 10KHz)	94 dB
SPL at 40W/1M (100Hz - 10KHz)	108 dB
Frequency response (-10 dB)	300 Hz ~ 15 KHz
Rated input voltage	100 V / 70 V
Rated Impedance	250 Ω / 500 Ω / 1K Ω / 2K Ω
Connection	Fire-resistant cable
MECHANICAL	
Dimensions (W×H×D)	165 mm x 150 mm x 568 mm
Weight	5.75 kg
Colour	White (RAL9003)
Speaker size	4" x 4
Material	Aluminum
IP Rating	66

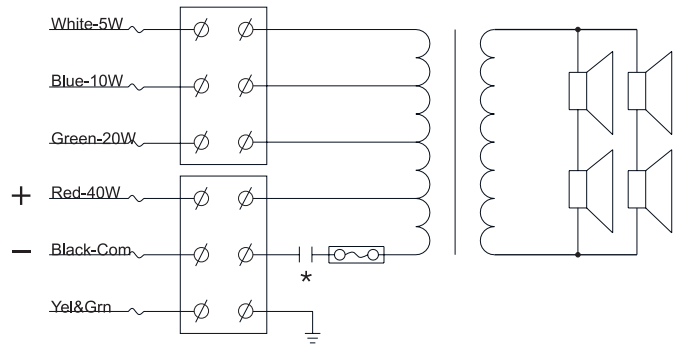
Loudspeaker

40W Column Loudspeaker

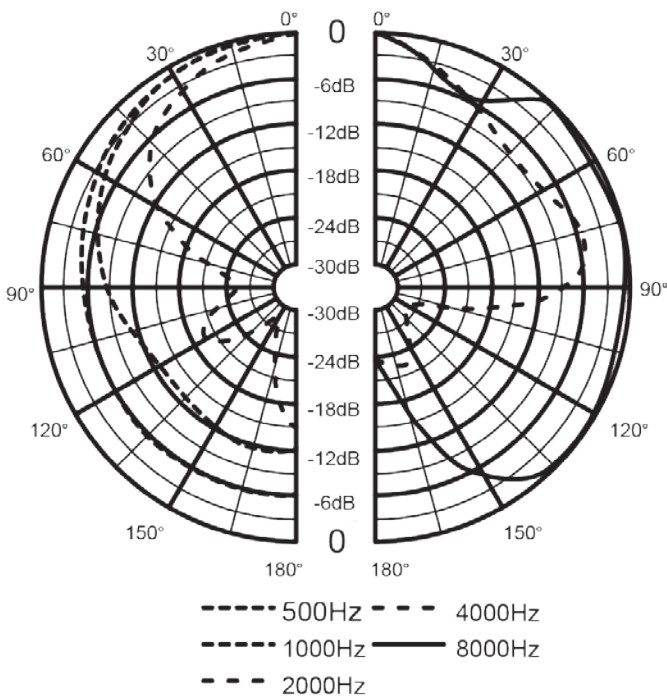
Frequency Response



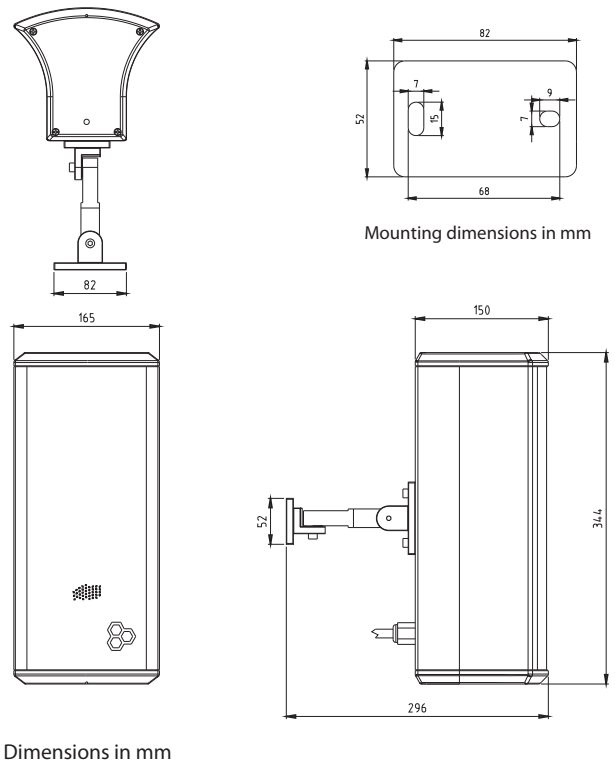
Circuit Diagram



Polar Diagram



Three-View Diagram



DESCRIPTION

40W Column Loudspeaker

ORDER CODES

582477

Honeywell

Tel: +44 (0) 116 246 2000
 Fax: +44 (0) 116 246 2300
 Email: ukorders@honeywell.com
 140 Waterside Road
 Hamilton Industrial Park
 Leicester
 LE5 1TN

October 2013
 © 2013 Honeywell International Inc.

Honeywell