

Loudspeaker

20W Unidirectional Projection Loudspeaker

Honeywell's voice alarm unidirectional projection loudspeaker complies with BS5839 part 8 and EN54 part 24.



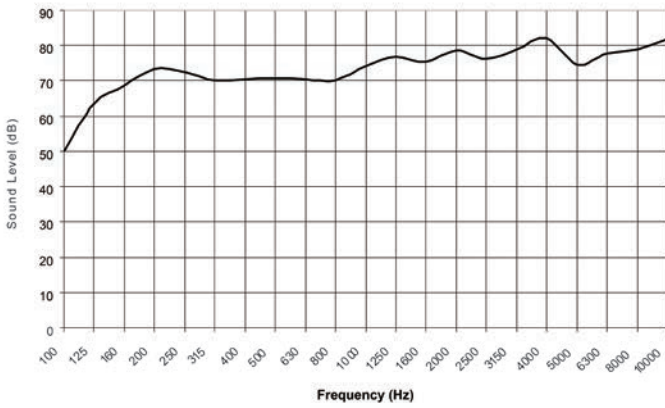
Technical Specifications

SPECIFICATION	
ELECTRICAL	
Max power	30 W
Rated power	20 W
Power taps @ 100V	20 W / 10 W / 5 W / 2.5 W
SPL at 1W/1M (100Hz - 10KHz)	90 dB
SPL at 20W/1M (100Hz - 10KHz)	101 dB
Frequency response (-10 dB)	150 Hz ~ 20 KHz
Rated input voltage	100 V / 70 V
Rated impedance	500 Ω / 1K Ω / 2K Ω / 4K Ω
Connection	Fire-resistant Cable
MECHANICAL	
Dimensions (D x L)	Φ140 mm x195 mm
Weight	2.65 Kg
Colour	White (RAL9003)
Material	Aluminum
IP Rating	65

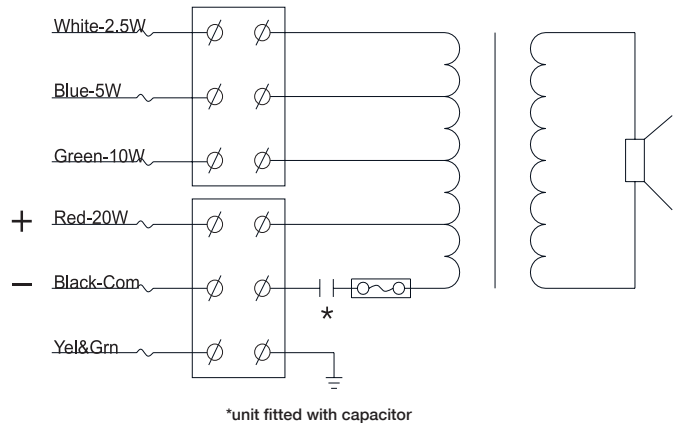
Loudspeaker

20W Unidirectional Projection Loudspeaker

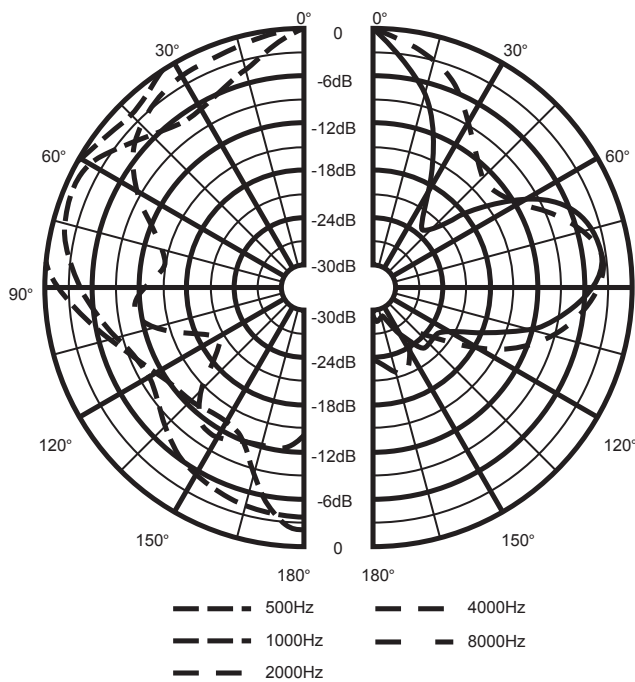
Frequency Response



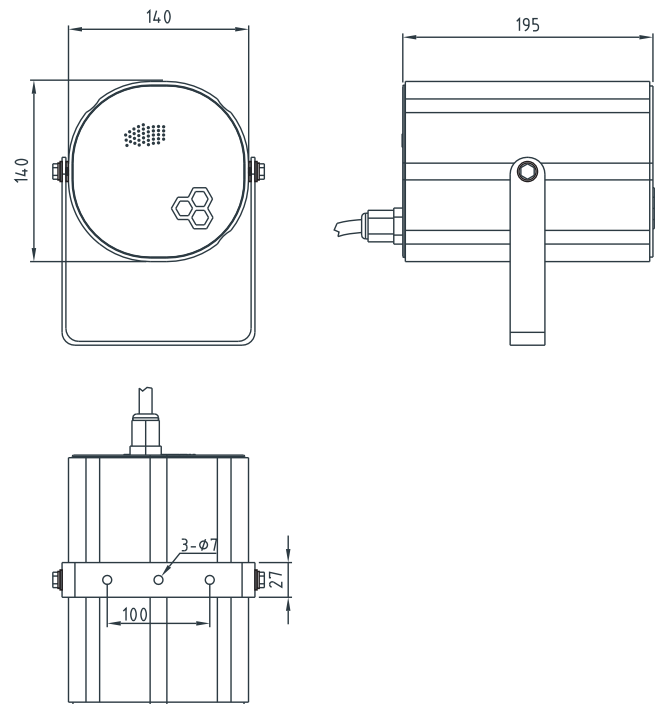
Circuit Diagram



Polar Diagram



Three-View Diagram



Dimensions in mm

DESCRIPTION

20W Unidirectional Projection Loudspeaker

ORDER CODES

582474

Honeywell

Tel: +44 (0) 116 246 2000
 Fax: +44 (0) 116 246 2300
 Email: ukorders@honeywell.com
 140 Waterside Road
 Hamilton Industrial Park
 Leicester
 LE5 1TN

October 2013
 © 2013 Honeywell International Inc.

Honeywell