

Loudspeaker

10W Unidirectional Projection Loudspeaker

Honeywell's voice alarm unidirectional projection loudspeaker complies with BS5839 part 8 and EN54 part 24.



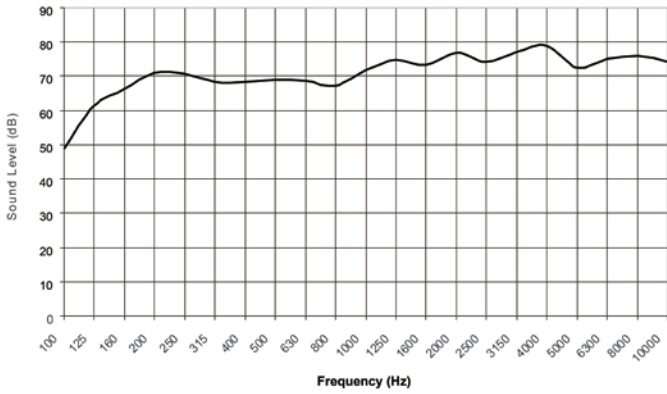
Technical Specifications

| SPECIFICATION | |
|---------------------------------|-----------------------------------------------------------|
| ELECTRICAL | |
| Max power | 20 W |
| Rated power | 10 W |
| Power taps @ 100V | 10 W / 5 W / 2.5 W / 1.25 W |
| SPL at 1W/1M (100Hz - 10KHz) | 90 dB |
| SPL at 10W/1M (100Hz - 10KHz) | 98 dB |
| Frequency response (-10 dB) | 150 Hz - 20 KHz |
| Rated input voltage | 100 V / 70 V |
| Rated impedance | 1 K Ω / 2 K Ω / 4 K Ω / 8 K Ω |
| Connection | Fire-resistant Cable |
| MECHANICAL | |
| Dimensions (D x L) | Φ 140 mm x195 mm |
| Weight | 2.62 Kg |
| Colour | White (RAL9003) |
| Material | Aluminum |
| IP Rating | 65 |

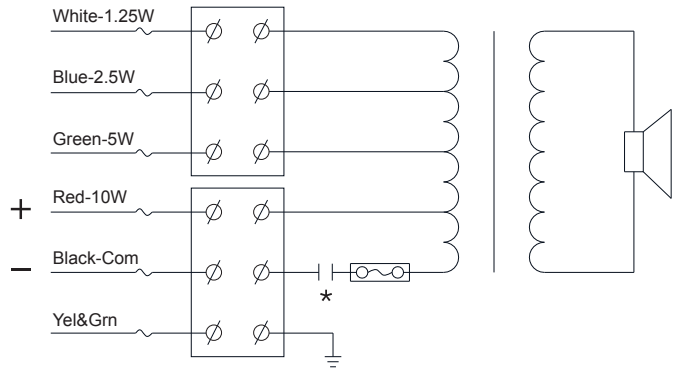
Loudspeaker

10W Unidirectional Projection Loudspeaker

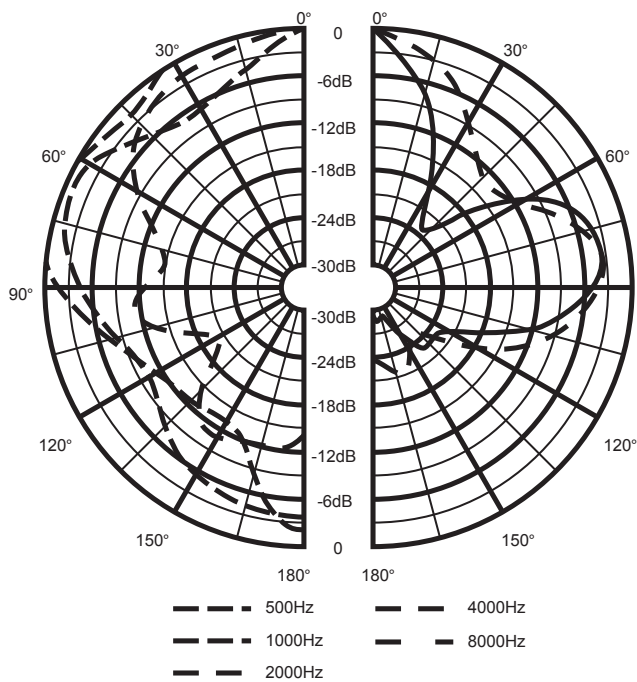
Frequency Response



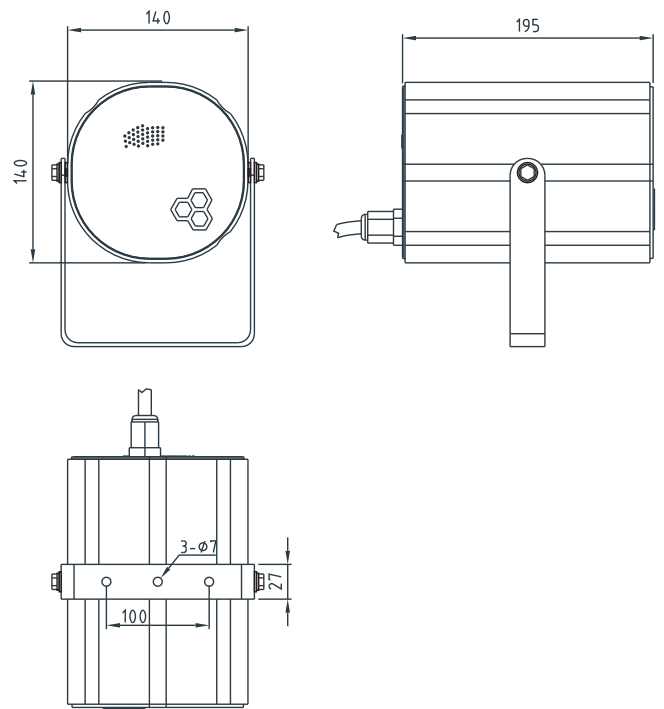
Circuit Diagram



Polar Diagram



Three-View Diagram



Dimensions in mm

| DESCRIPTION | ORDER CODES |
|-------------------------------------------|-------------|
| 10W Unidirectional Projection Loudspeaker | 582473 |

Honeywell

Tel: +44 (0) 116 246 2000
 Fax: +44 (0) 116 246 2300
 Email: ukorders@honeywell.com
 140 Waterside Road
 Hamilton Industrial Park
 Leicester
 LE5 1TN

October 2013
 © 2013 Honeywell International Inc.

