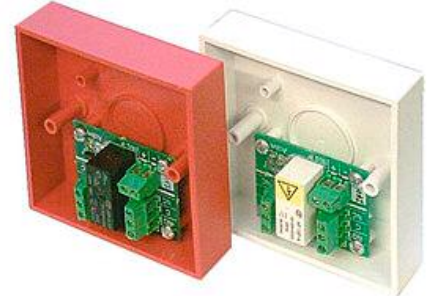


Part Number	EASY RELAY240/1 Gang Plate - White or RED 500/051X (if X=W= White else if X=R=Red housing).
Description	Mains Coil (230VAC coil)
Reference	Installation Guidelines – T2/ER240/1G/install/15-12-05

Overview

- The Easy-Relay 240 is intended for general mains voltage interfacing to lower voltage applications.
- Examples: you could interface an existing mains voltage lighting switch to control a 12V lighting system. Interfacing existing 240V door release circuits to lower voltage release units.
- The relay is of a compact power type. It has **two** sets of contacts, each capable of switching 8 amps.

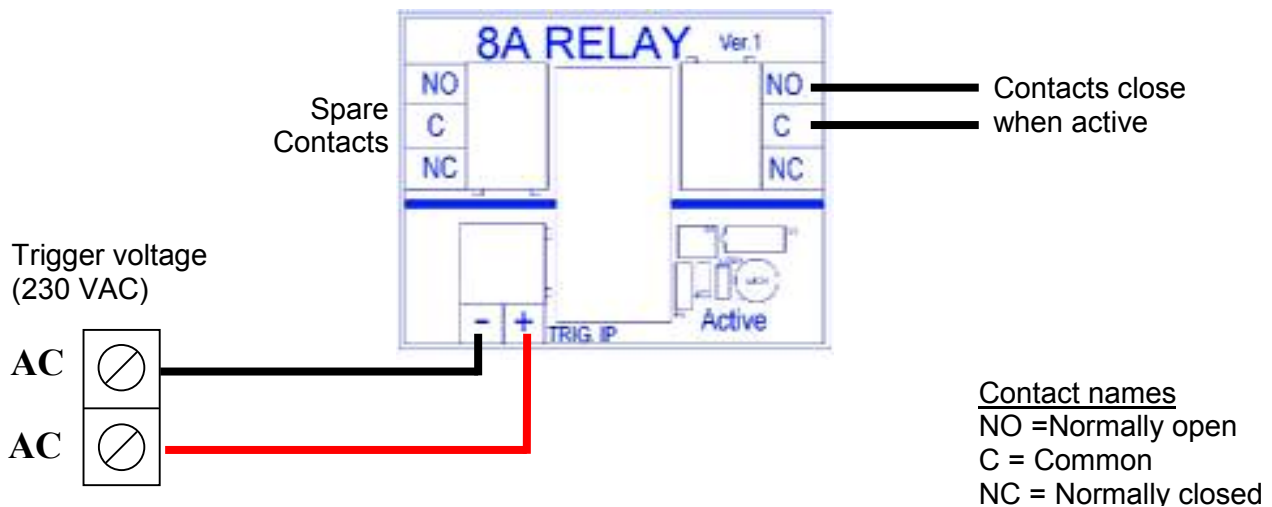


General Installation

The Easy-Relay PCB is fixed by means of at least one single screw (supplied). It must be mounted securely within a suitable enclosure. As mains voltages are used to trigger the unit ensure the latest IEEE electrical wiring practices are followed. This unit should be installed by a competent person.

PCB Connections

This application shows how to connect the relay.



Technical Support

Contact your supplier for general technical support on this product.

Technical Data

Nominal Input Voltage:	230V AC (50/60Hz) (172 to 345VAC)	Output Contact Rating:	Double Pole – Change Over Contacts 230V AC 8A max, 2000VA
Temperature Range:	-40 to +70°C	Contact Material:	Silver Alloy
Operational Current:	3.2mA	Electrical Life	100,000 operations at rated current
Coil Power	0.75W	Physical Dimensions:	W.52mm x L.48mm x H.30mm
Coil Resistance :	32,500 R		