



3E0659NI-GB-PTE

Overview

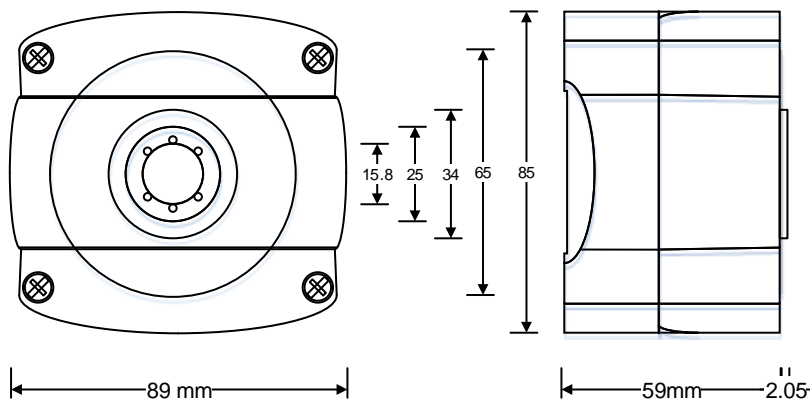
The 3E0659NI-GB-PTE is just one of the variants in the range of high impact, externally rated surface mount buttons. The robust two part cross polymer housing incorporates an integral gasket that seals the unit to IP66. This product is a reliable solution for external egress and other outdoor switching applications.

The Housings are available in two colour combinations – grey lid with a black base (GB – as shown above) and black base with a high contrasting yellow lid (YB). Both models are easily identifiable to the user. The base incorporates pre-moulded conduit knockouts (both M16 and M20). These aid installation by ensuring effective cable management.

Legend discs are manufactured from an externally rated bi-colour engraving laminate which is available in a variety of colour combinations. The discs are gasketed using an open cellular foam, when the switch is tightened to the unit, the cell closes to maintained IP rating.

The bi-colour illumination (green and red) can be wired in numerous ways to give pleasant visual feedback to the user. The Dual halo illumination switches are particularly effective in low light environments.

Dimensions (mm) :



- IP66 Ingress Protection
- Momentary Contact
- RoHS Compliant
- 12Vdc Independent Bi-colour LED Illuminated

IMPORTANT: This product is for use in 12Vdc and 24Vdc applications only and should only be installed by a qualified person

Technical (switch)

Switching function	Momentary, N/O, N/C, C
Life	0.2 Million Actuations
Operating temperature	-25 °C to +85°C
Operating Force	4.5N
Insulation Resistance	>100MΩ
Ingress Protection	IP67
Travel	0.8mm
Switching Current	Max 5 / 3 A
Impact Rating	IK07
Switch Material	Grade 304 DP1 Stainless Steel
Contact Bounce	<5ms

Specification: (panel)

Material	Robust cross polymer enclosure
Legend	PRESS TO EXIT

Ordering information:

3E0659NI-GB-PTE

Vandal resistant button, 12Vdc halo illumination red (green), IP66, surface mount (grey/black) PTE