



3E0659N-GB-DR

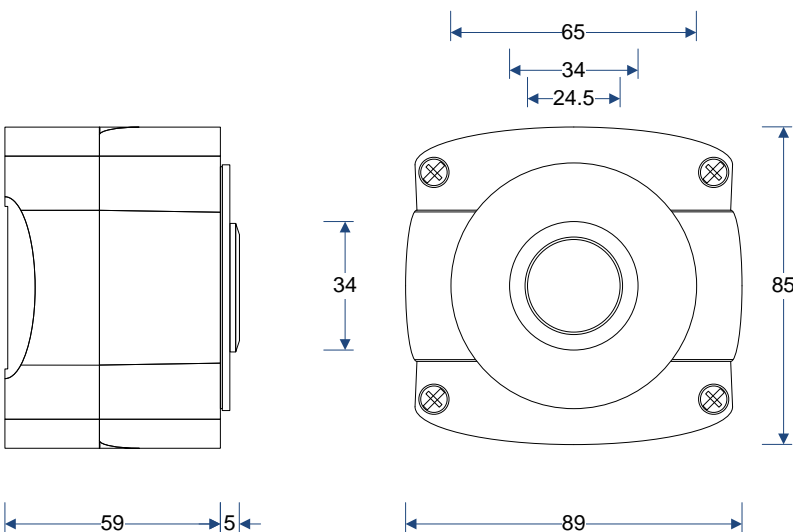
Overview

The 3E0659N-GB-DR is just one of the variants in the range of externally rated surface mount buttons. The robust two part cross polymer housing incorporates an integral gasket that seals the unit to IP66. The large stainless steel button has a momentary contact. The actuator is knurled which provides an excellent tactile feedback to the user

The housings are available in two colour combinations – grey lid with a black base and black base with a highly contrasting yellow lid. Both models are easily identifiable to the user. The base incorporates pre-moulded conduit knockouts (both M16 and M20), these aid installation by ensuring effective cable management.

Legend discs are manufactured from an externally rated bi-colour engraving laminate which is available in a variety of colour combinations. The discs are gasketed using an open cellular foam, when the switch is tightened to the unit, the cells close to maintain the IP rating. Custom legend discs are available to special order to suit particular applications – please call to discuss your requirements.

Dimensions (mm) :

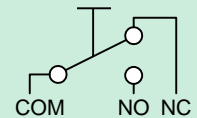


- IP66 Ingress protection
- Impact rating – IK07
- Momentary contact
- RoHS Compliant
- M16/20 pre-moulded conduit knockouts
- DIN EN 61058-1*
- UL 1054*

Technical (switch*)

Switching function	Momentary, N/O, NC, C
Number of poles	1
Contact material	Ag
Switching current	Max. 2A 12/24Vdc
Lifetime (electrical)	0.2 million actuations
Contact resistance	<30mΩ
Insulation resistance	<100mΩ
Duration of bounce	<5 ms
Actuating force	4.5N
Actuator travel	1.2mm
Lifetime (mechanical)	1.5 million actuations
Shock protection	IK 07 ⁵
Operating temperature	-25 to +85°C
IP protection	IP67 front side contact area
Salt spray test	DIN 50021-SS 24/48/96 h residence time
Housing / actuator	Stainless steel

Circuit form



Technical (housing)

Ingress protection	IP66
Material	PC + PBT cross polymer
Approvals	UL listed, CSA approved

Ordering information:

3E0659N-GB-DR

IP66 Surface mount low profile 30mm stainless switch, grey/black housing, green disc – engraved DOOR RELEASE