



3E0657-GB-GR

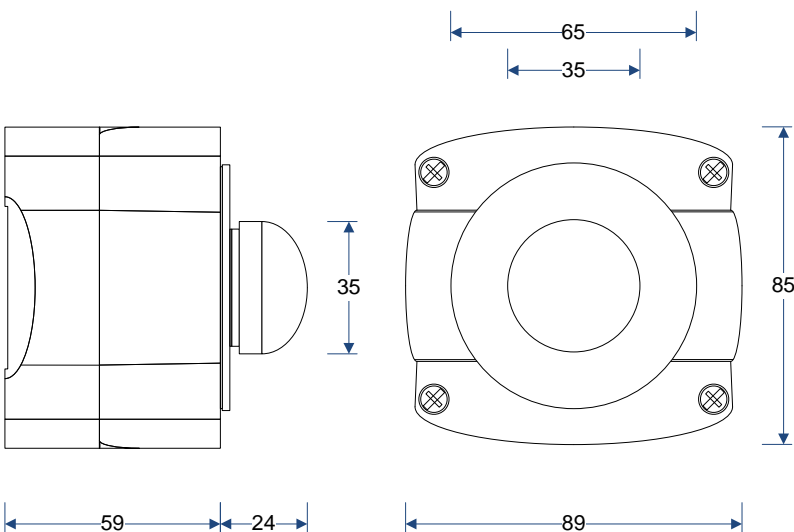
Overview

The 3E0657-GB-GR is just one of the variants in the range of high impact, externally rated surface mount buttons. The robust two part cross polymer housing incorporates an integral gasket that seals the unit to IP66, coupled with the original green dome, makes the unit an effective and reliable solution for external egress and other outdoor switching applications.

The housings are available in two colour combinations – grey lid with a black base and black base with a highly contrasting yellow lid. Both models are easily identifiable to the user. The base incorporates pre-moulded conduit knockouts (both M16 and M20), these aid installation by ensuring effective cable management.

Legend discs are manufactured from an externally rated bi-colour engraving laminate which is available in a variety of colour combinations. The discs are gasketed using an open cellular foam, when the switch is tightened to the unit, the cells close to maintain the IP rating. Custom legend discs are available to special order to suit particular applications – please call to discuss your requirements.

Dimensions (mm) :



- IP66 Ingress protection
- Impact rating – 20J
- Momentary contact
- RoHS Compliant
- M16/20 pre-moulded conduit knockouts

Technical (switch)

Current rating	2A max resistive at 12/24Vdc
Insulation resistance	1GΩ
Life (electrical)	100,000 cycles 20° / 50,000 @ 70°
Contact resistance	25mΩ
Ingress protection	IP67
Impact rating	20J
Shock	50g
Operating temp. °C	-40°C to +125°C
Body / actuator material	Zinc alloy
Contact / terminal	Fine silver / tin plate nickel
Travel	2.5mm
Life (mechanical)	2 x 10 ⁶ cycles (nominal)
Operating force	7N
Contact bounce	5ms
Circuit form (Form Z)	

Technical (housing)

Ingress protection	IP66
Material	PC + PBT cross polymer
Approvals	UL listed, CSA approved

Ordering information:

3E0657-GB-GR

IP66 Surface mount green dome button, grey/black housing, green disc – engraved GATE RELEASE