

# Art. 3612 Videophone for traditional video systems using coax video signal or balanced video signal

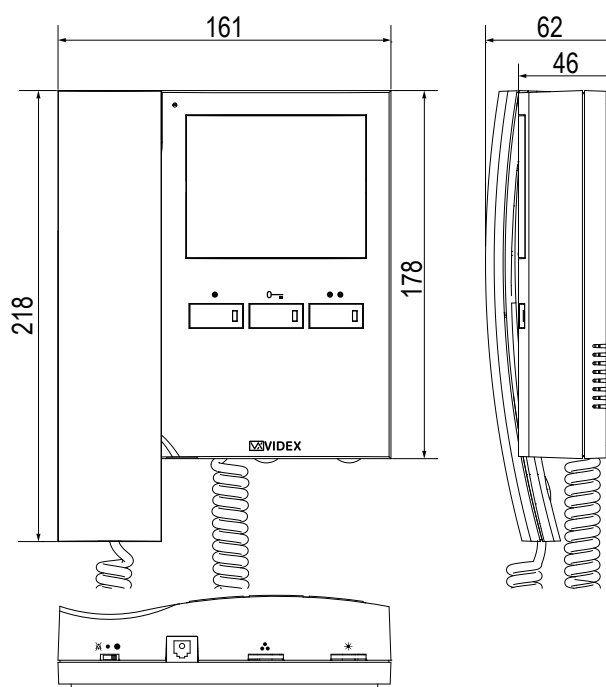


Fig. 1

## DESCRIPTION

Videophone using 3.5" full colour active matrix LCD monitor for traditional (using Art. 890/Art. 890N or Art. 4838 or Art. VR4KAM) video door entry systems using composite video (coax cable) or balanced video (two wires V1, V2) to bring the video signal.


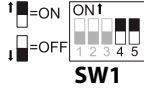


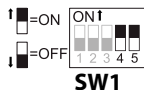


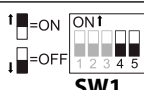


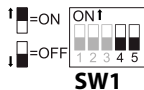

Are available "camera recall", "door open" and "service" buttons. 3 LED's give visual signalling relative to the videophone operation: the dot button LED switches ON when the videophone is switched ON, the key button LED switches on when the door is open (requires a +12Vdc at terminal 18 "DOL" when the door is open) and the two dot button LED switches on when the volume switch is in privacy position (requires a +12Vdc at terminal 17 "12Vi").

Controls: call tone volume (privacy position plus 2 levels), picture brightness and hue. Input for electronic call tone and local bell. The Art. 3612 is for surface mount (requires the Art. 5980 connection board plus wall mounting plate).

## PUSH BUTTONS

●	Switches on the system and shows the video from the outdoor station on the monitor (camera recall). By picking up the handset and pressing the "key" push button it is possible to open the door.
🔑	Activates the electric lock (door-open) only when the videophone is on and the handset is picked up.
● ●	Service or camera recall push button depending on the settings (switches 2 and 3 of the 5 way dip-switch bank).

## DIP-SWITCH SETTINGS

 SW1	During a call, the videophone rings and switches on showing the video from the door panel.	 SW1	 SW2	Composite video signal (coax cable) with termination activated.
 SW1	During a call, the videophone rings. Picking up the handset to answer, the monitor will switch on showing the video from the door panel.	 SW1	 SW2	Composite video signal (coax cable) with termination disabled.
 SW1	The ● ● button operates as service button. When pressed connect internally the terminal 3 to the terminal 16.	 SW1	 SW2	Balanced video signal (two wire cable) with termination activated.
 SW1	The ● ● button operates as camera recall button. This setting is used for systems with more door panels.	 SW1	 SW2	Balanced video signal (two wire cable) with termination disabled.

## ART. 3612 SIGNALS ON CONNECTION BOARD TERMINALS

+12V	1	+12V output to supply the video distributor (Art. 894/Art. 894N)
TV1	2	Recall – button ●
TV2	3	Button ● ● (see settings)
1	4	Positive power input +15÷20Vdc 0,45A
2	5	Door opening command – button 0-π
3	6	Speech output
4	7	Speech input
5	8	Speech ground
6	9	Negative power input (ground)
7	10	Local call input (electronic call tone)
V	11	Coax video signal input 0,8-1,5 Vpp (see settings)
V1		Balanced video signal input sync. – (see settings)
M	12	Coax video signal ground (see settings)
V2		Balanced video signal sync. + (see settings)
R	13	Speech common for intercommunicating systems
C	14	External call input (electronic call tone)
–	15	Speech ground for intercommunicating systems
T	16	Service push button common ● ●
	17	
	18	
12Vi	19	+12Vdc power supply input to switch on the ● ● button LED when the volume switch is in privacy position
DOL	20	+12Vdc power supply input to switch on the 0-π button LED

## TECHNICAL SPECIFICATION

**Voltages** 20Vdc (+2-5V)

**Power Consumption:**      **Stand-by**      **Operating**  
    0mA                    250mA

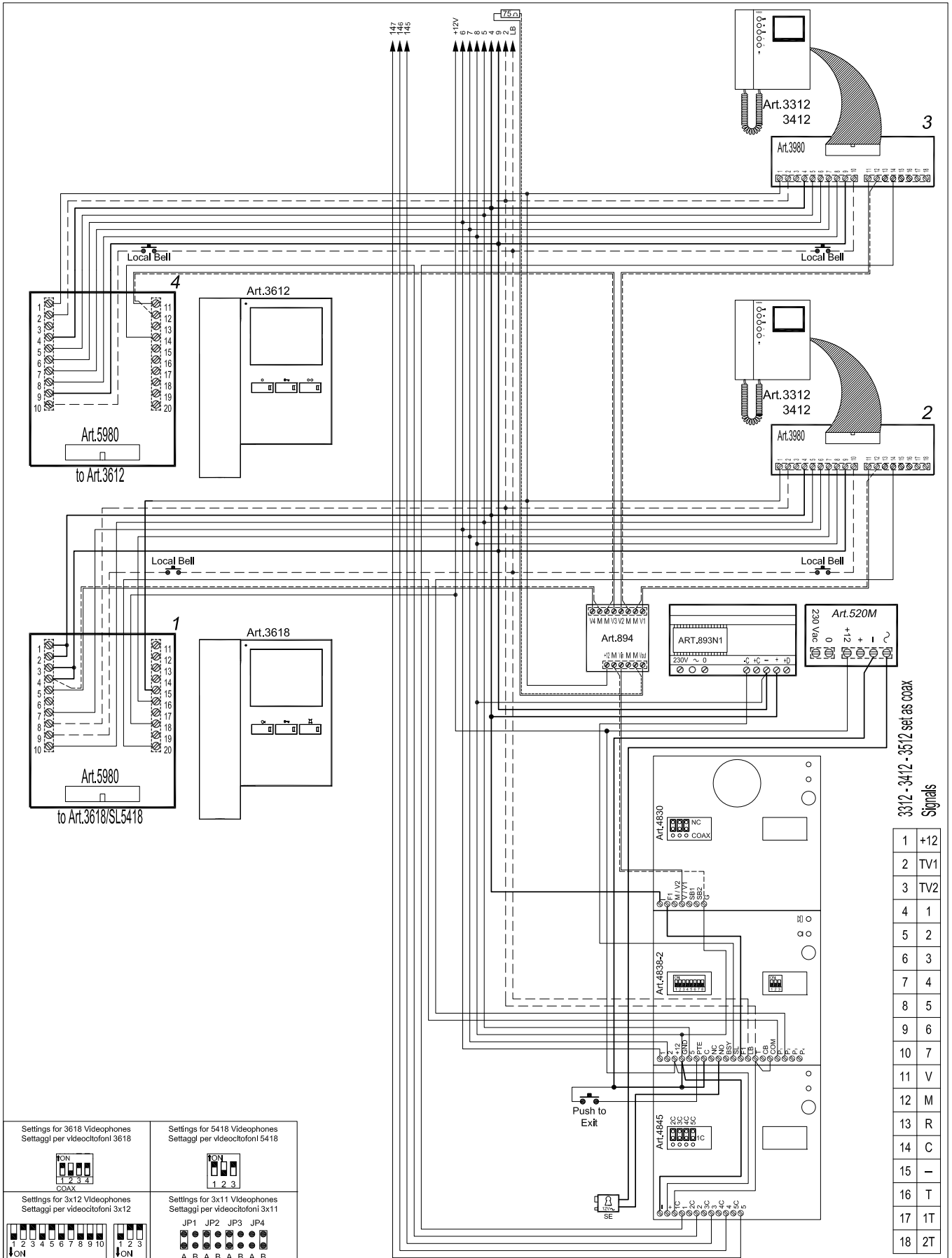
**Working Temperature:**      -10 +50 °C

## CUSTOMER SUPPORT


 All Countries:  
**VIDEX ELECTRONICS S.P.A.**  
 www.videx.it - technical@videx.it  
 Tel: +39 0734-631669  
 Fax: +39 0734-632475

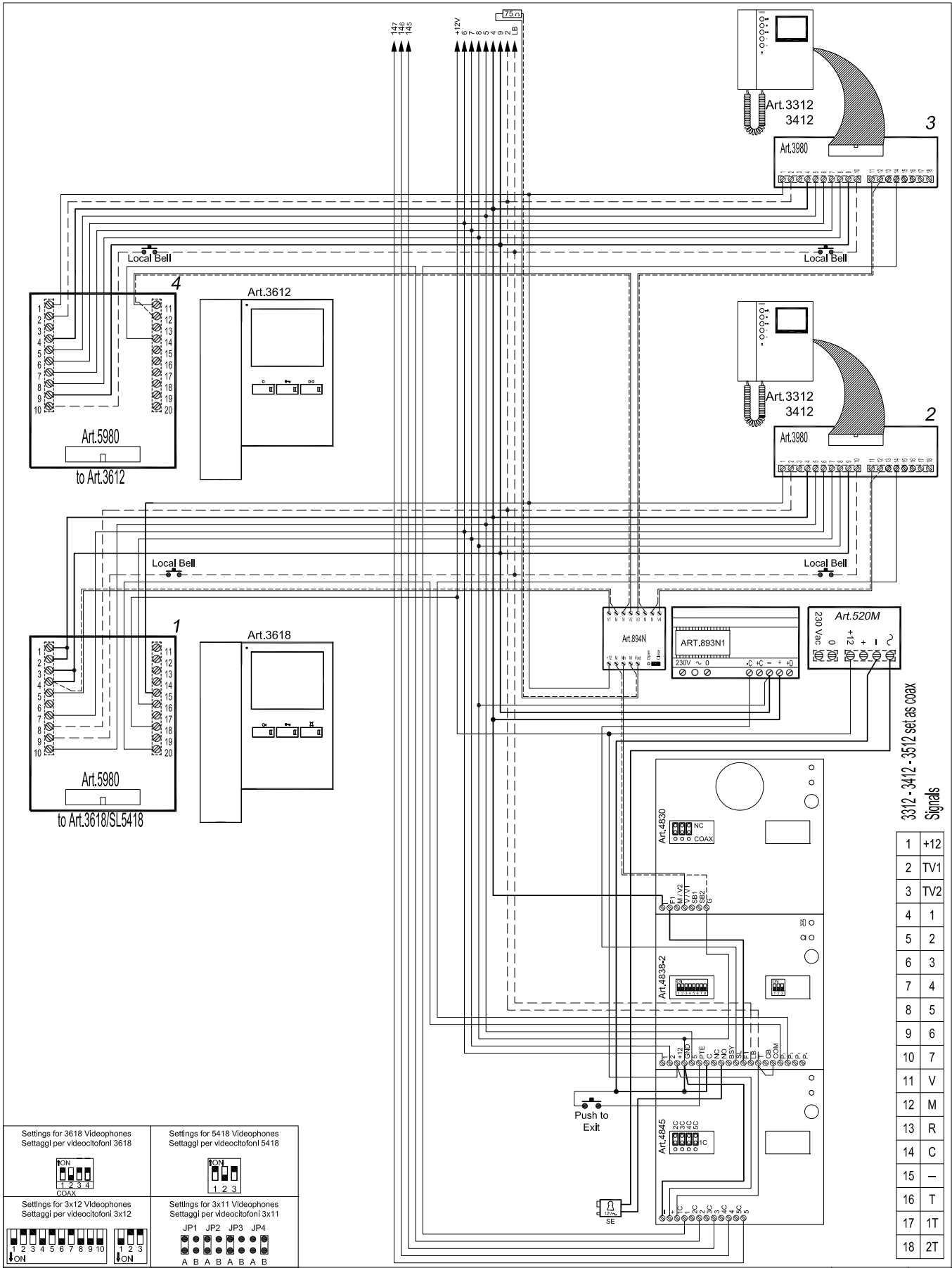
 UK Customers:  
**VIDEX SECURITY LTD**  
 www.videx-security.com  
 Tech Line: 0191 224 3174  
 Fax: 0191 224 1559


The product is CE marked demonstrating its conformity and is for distribution within all member states of the EU with no restrictions. This product follows the provisions of the European Directives 2004/108/ECC (EMC); 2006/95/ECC (LVD) and 93/68/ECC (CE marking).



<p>Settings for 3618 Videophones Settaggi per videofonofoni 3618</p>	<p>Settings for 5418 Videophones Settaggi per videofonofoni 5418</p>
<p>Settings for 3x12 Videophones Settaggi per videofonofoni 3x12</p>	<p>Settings for 3x11 Videophones Settaggi per videofonofoni 3x11</p> <p>JP1 JP2 JP3 JP4 A B A B A B A B</p>

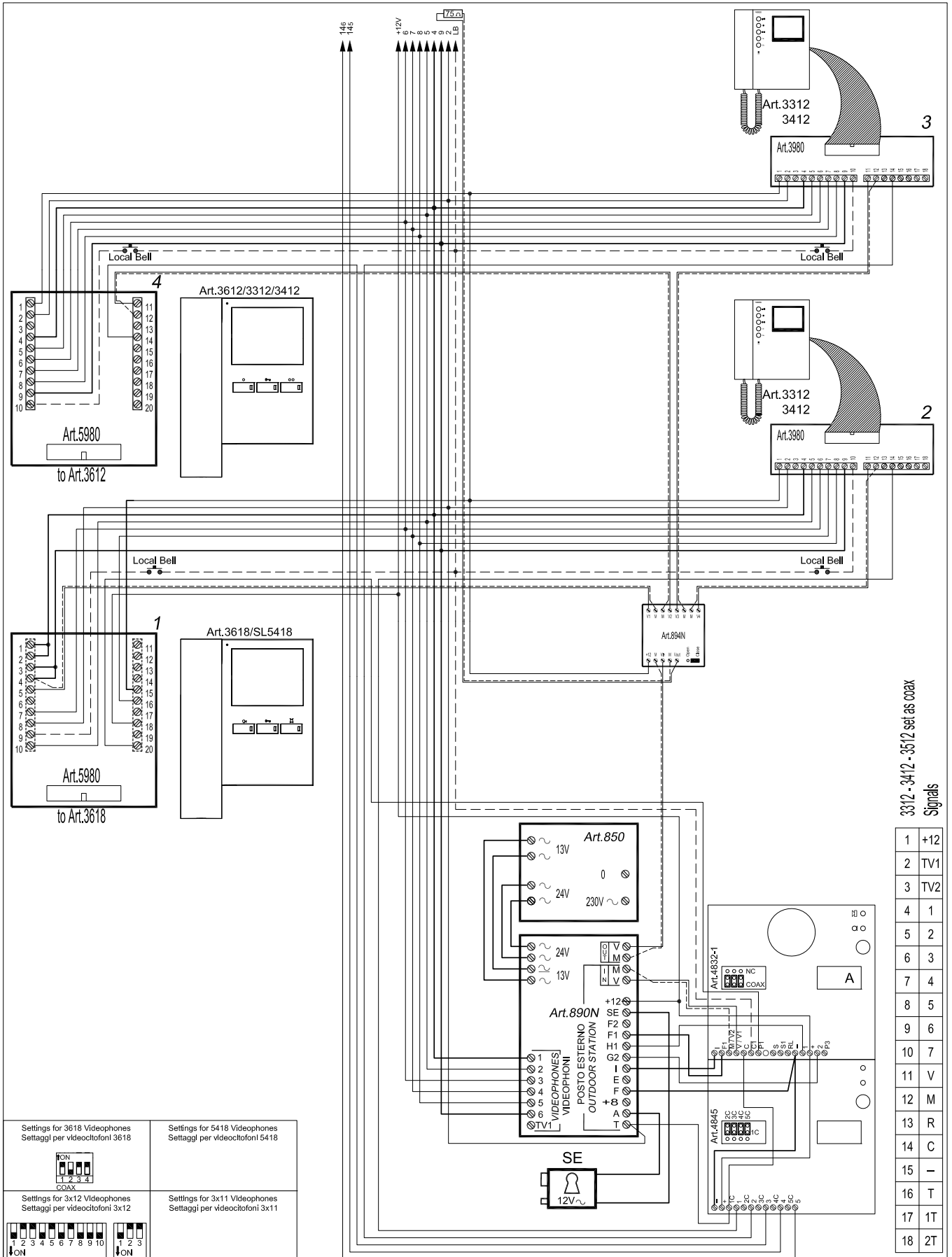
<p>Title:</p> <p>Titolo:</p>	<p>Notes:</p> <p>Note:</p>	<p>Data creazione: 12/09/2011</p> <p>Data modifica: 12/09/2011</p> <p>Autore: Marco Rongoni</p> <p>Cod. File: 4kvd001d.dwg</p>	<p>Foglio: 1 / 1</p>
------------------------------	----------------------------	--	----------------------



3312 - 3412 - 3512 set as Coax Signals

1	+12
2	TV1
3	TV2
4	1
5	2
6	3
7	4
8	5
9	6
10	7
11	V
12	M
13	R
14	C
15	-
16	T
17	1T
18	2T

<p>Settings for 3618 Videophones Settaggi per videocofoni 3618</p>	<p>Settings for 5418 Videophones Settaggi per videocofoni 5418</p>
<p>Settings for 3x12 Videophones Settaggi per videocofoni 3x12</p>	<p>Settings for 3x11 Videophones Settaggi per videocofoni 3x11</p>

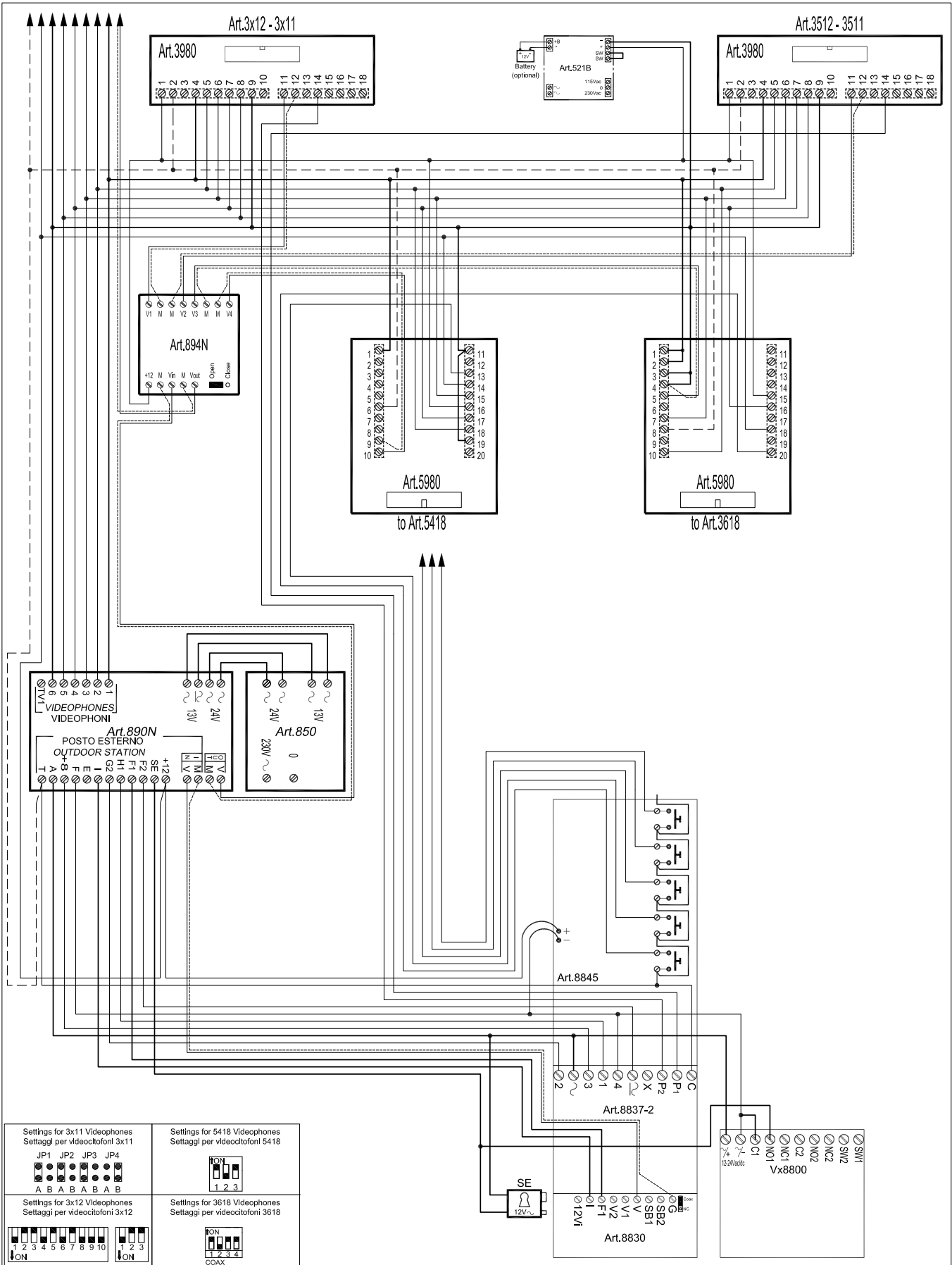


3312 - 3412 - 3512 set as Coax Signals

1	+12
2	TV1
3	TV2
4	1
5	2
6	3
7	4
8	5
9	6
10	7
11	V
12	M
13	R
14	C
15	-
16	T
17	1T
18	2T

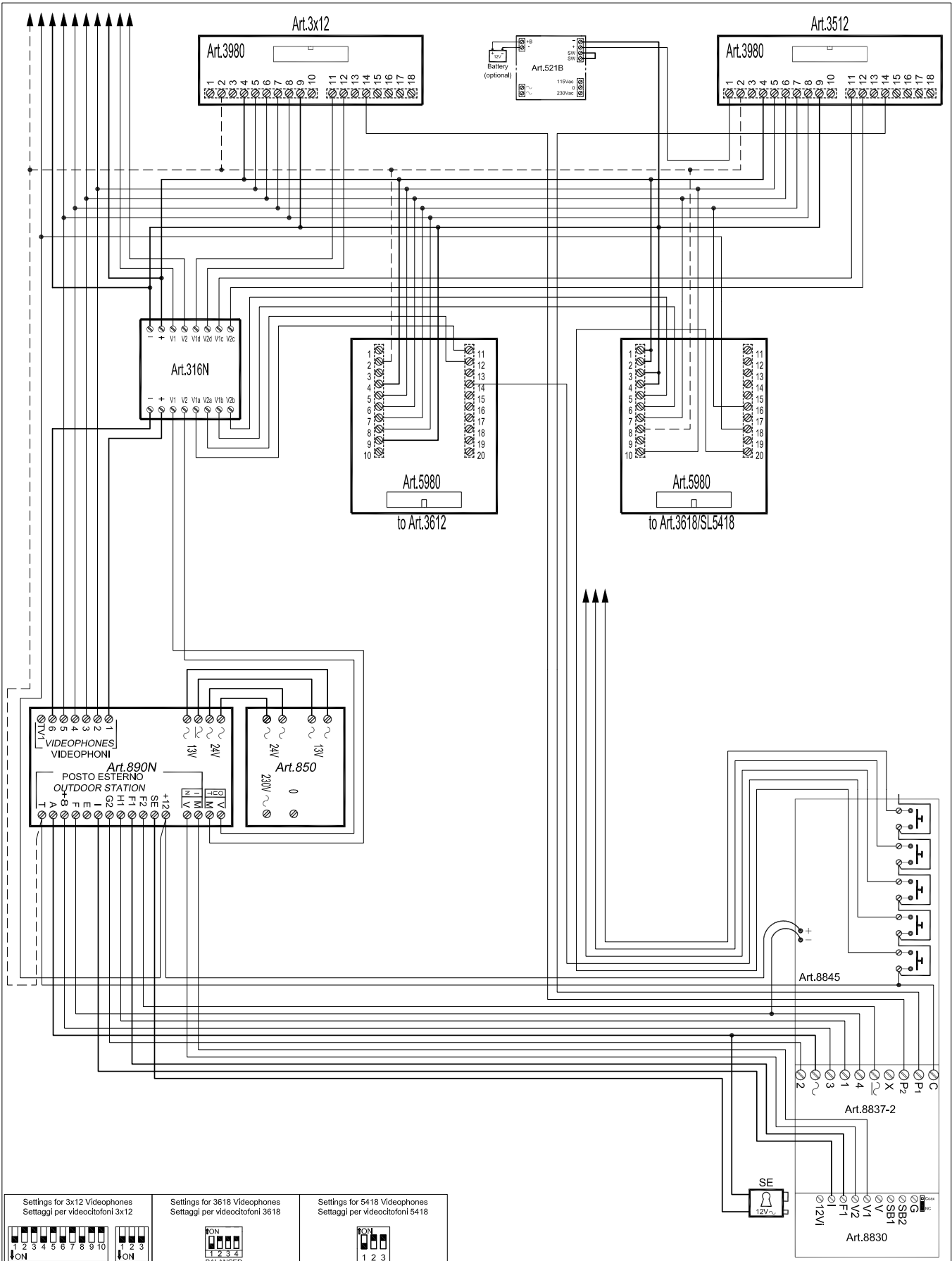
<p>Settings for 3618 Videophones Settaggi per videocofoni 3618</p>	<p>Settings for 5418 Videophones Settaggi per videocofoni 5418</p>
<p>Settings for 3x12 Videophones Settaggi per videocofoni 3x12</p>	<p>Settings for 3x11 Videophones Settaggi per videocofoni 3x11</p>

Title:		Data creazione:	21/09/2011	Foglio	1 / 1
Titolo:		Data modifica:	22/09/2011		
<p>Videx Electronics S.p.A. Via del Lavoro 1, 63020 Monte Giberto (AP) Phone: +39 0734 631669 - Fax +39 0734 631669 www.videx.it - info@videx.it</p>		Autore:	Marco Rongoni		
Notes:		Cod. File:	4kvd001f.dwg		



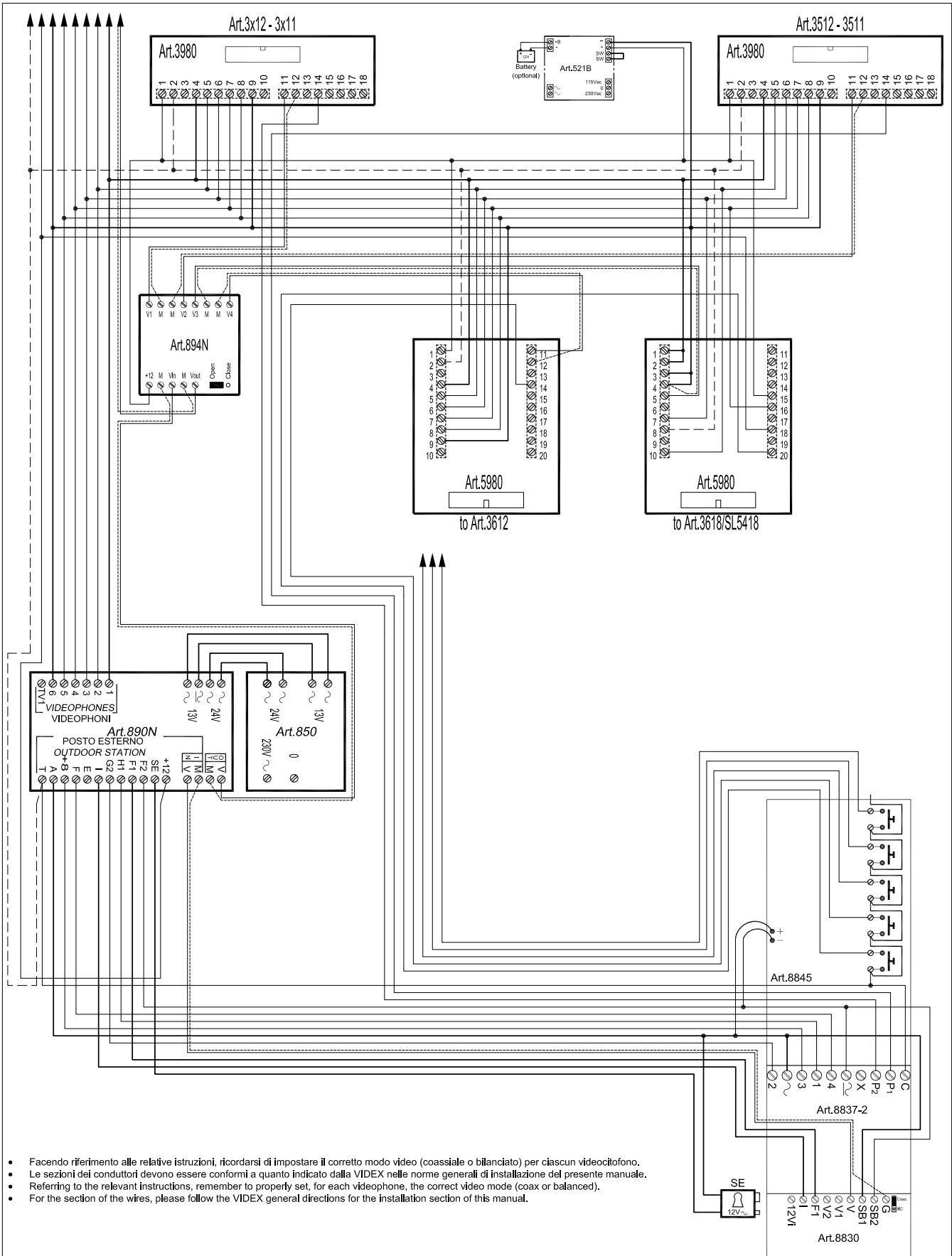
<p>Settings for 3x11 Videophones Settaggi per videocofoni 3x11</p> <p>JP1 JP2 JP3 JP4 A B A B A B A B</p>	<p>Settings for 5418 Videophones Settaggi per videocofoni 5418</p> <p>ON 1 2 3</p>
<p>Settings for 3x12 Videophones Settaggi per videocofoni 3x12</p> <p>ON 1 2 3 4 5 6 7 8 9 10</p>	<p>Settings for 3618 Videophones Settaggi per videocofoni 3618</p> <p>ON 1 2 3 4 COAX</p>

<p>Title:</p> <p>Titolo:</p>	<p>Data creazione: 19/03/2011</p> <p>Data modifica: 03/10/2011</p>	<p>Foglio 1 / 1</p>
<p><b>Videx Electronics S.p.A.</b> Via del Lavoro 1, 63020 Monte Giberto (AP) Phone: +39 0734 631669 - Fax +39 0734 631669 www.videx.it - info@videx.it</p>	<p>Notes:</p> <p>Note:</p>	<p>Autore: <b>Marco Rongoni</b> Cod. File: s8k-001d.dwg</p>




<p>Settings for 3x12 Videophones Settaggi per videocitofoni 3x12</p>	<p>Settings for 3618 Videophones Settaggi per videocitofoni 3618</p>	<p>Settings for 5418 Videophones Settaggi per videocitofoni 5418</p>
--	--	--

<p>Title: _____</p> <p>Titolo: _____</p>	<p>Data creazione: 12/09/2011</p> <p>Data modifica: 19/10/2011</p> <p>Autore: Marco Rongoni</p> <p>Cod. File: s8k-001f.dwg</p>	<p>Foglio 1 / 1</p>
<p><b>Videx Electronics S.p.A.</b> Via del Lavoro 1, 63020 Monte Giberto (AP) Phone: +39 0734 631669 - Fax: +39 0734 631669 www.videx.it - info@videx.it</p>	<p>Notes: _____</p> <p>Note: _____</p>	



- Facendo riferimento alle relative istruzioni, ricordarsi di impostare il corretto modo video (coassiale o bilanciato) per ciascun videocitofono.
- Le sezioni dei conduttori devono essere conformi a quanto indicato dalla VIDEX nelle norme generali di installazione del presente manuale.
- Referring to the relevant instructions, remember to properly set, for each videophone, the correct video mode (coax or balanced).
- For the section of the wires, please follow the VIDEX general directions for the installation section of this manual.

Titolo:		Data creazione:	Foglio
Titolo:		12/09/2011	1 / 1
		Data modifica:	
		09/01/2012	
Autore:		Marco Rongoni	
Codice File:		s8k-001a.dwg	
 Videx Electronics S.p.A. Via del Lavoro 1, 63020 Monte Giberto (AP) Phone: +39 0734 631669 - Fax: +39 0734 631689 www.videx.it - Info@videx.it		Notes: Note:	



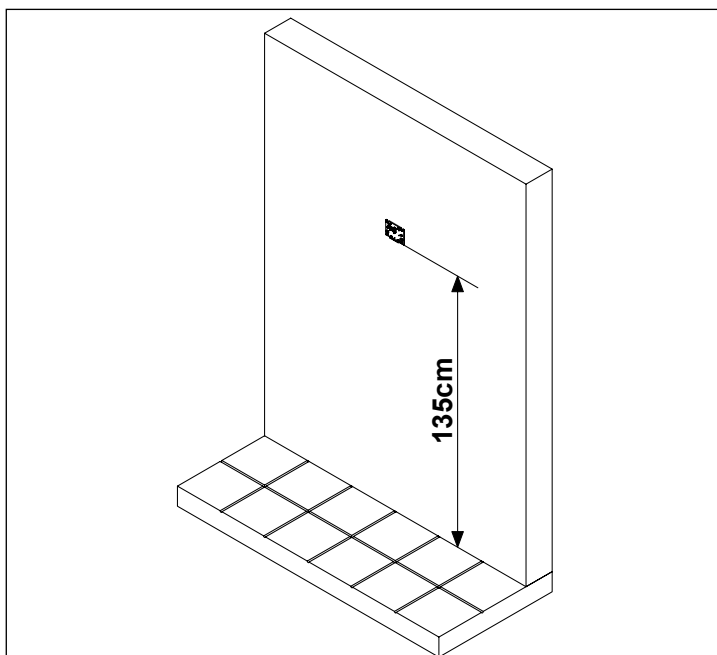


Fig. 1

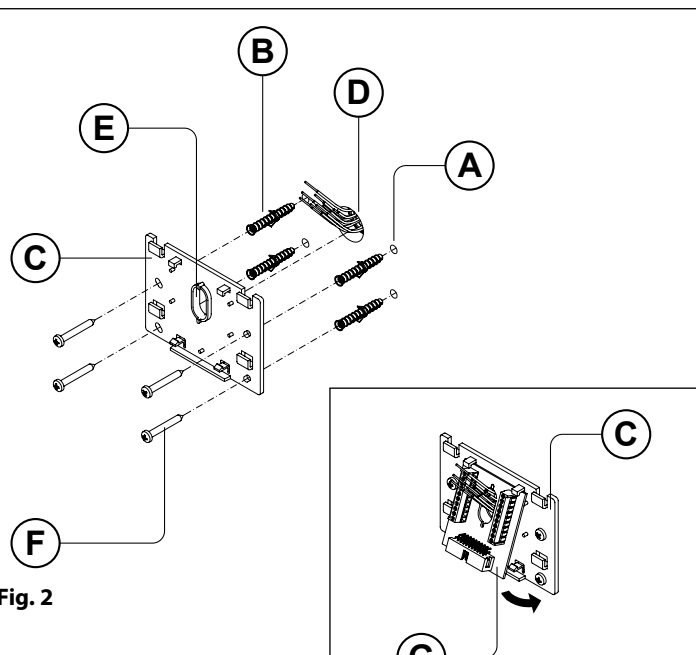


Fig. 2

Fig. 3

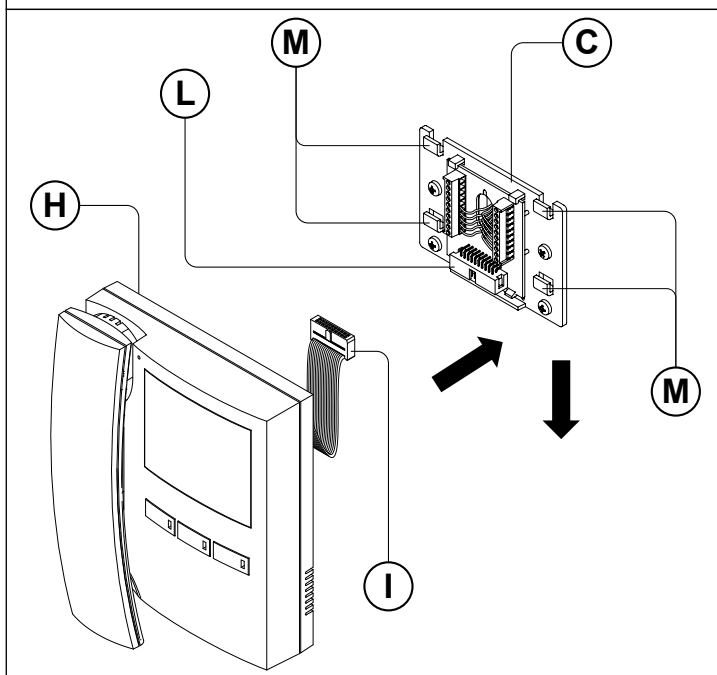


Fig. 4

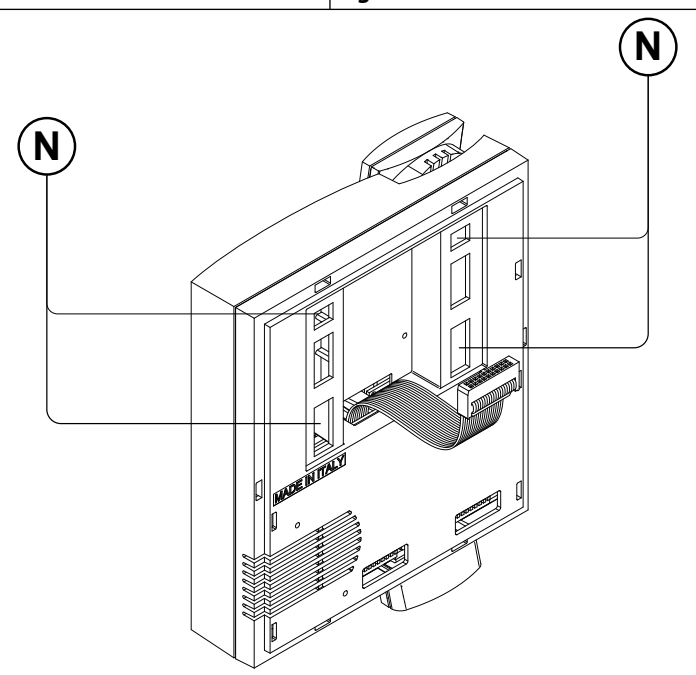


Fig. 5

1. Cables must be fed through the opening **E** (**Fig. 2**) of the mounting plate **C**, which should be fitted approximately 135cm from finished floor level as shown in **Fig. 1**;
2. Place the mounting plate **C** against the wall feeding the wire group **D** through opening **E** of the mounting plate and mark the fixing holes **A** (**Fig. 2**);
3. Drill the fixing holes **A**, insert the wall plugs **B** then with the cables threaded through opening **E** fix the mounting plate **C** to the wall with the 4 screws provided **F** (**Fig. 2**);
4. Hook the PCB connection board **G** to the mounting plate **C** as shown in **Fig. 3** and connect the wires (using the screwdriver provided) to the terminals as shown in the diagram provided;
5. Once the wires are connected, hook the videophone **H** to the mounting plate **C** as shown in **Fig. 3**;
6. Connect the Plug **I** on the ribbon cable from the videophone to the plug **L** on the PCB connection board **G**;
7. Place the videophone **H** against the 4 hooks **M** on the mounting plate **C** (in line with the 4 openings **N** on the rear side of the videophone **Fig. 5**) and push down as suggested by the pointers in **Fig. 4**, the videophone will lock into place;
8. To remove the videophone, hold it firmly and push the unit in an upward direction until the videophone **H** unlocks from the mounting plate **C**.



A series of horizontal dashed lines for writing notes.



THE POWER TO SECURE



made in  
**ITALY**

#### MANUFACTURER

##### **VIDEX ELECTRONICS S.P.A.**

Via del Lavoro, 1 - 63846 Monte Giberto (FM) Italy  
Tel (+39) 0734 631669 - Fax (+39) 0734 632475  
www.videx.it - info@videx.it

#### CUSTOMER SUPPORT

All Countries:

##### **VIDEX ELECTRONICS S.P.A.**

www.videx.it - technical@videx.it  
Tel: +39 0734-631669 - Fax: +39 0734-632475

UK Customers:

##### **VIDEX SECURITY LTD**

www.videx-security.com  
Tech Line: 0191 224 3174 - Fax: 0191 224 1559

#### *Main UK office:*

##### **VIDEX SECURITY LTD**

1 Osprey Trinity Park  
Trinity Way  
LONDON E4 8TD  
Phone: (+44) 0870 300 1240  
Fax: (+44) 020 8523 5825  
www.videx-security.com  
marketing@videx-security.com

#### *Northern UK office:*

##### **VIDEX SECURITY LTD**

Unit 4-7  
Chillingham Industrial Estate  
Chapman Street  
NEWCASTLE UPON TYNE - NE6 2XX  
Tech Line: (+44) 0191 224 3174  
Phone: (+44) 0870 300 1240  
Fax: (+44) 0191 224 1559

#### *Greece office:*

##### **VIDEX HELLAS Electronics**

48 Filolaou Str.  
11633 ATHENS  
Phone: (+30) 210 7521028  
(+30) 210 7521998  
Fax: (+30) 210 7560712  
www.videx.gr  
videx@videx.gr

#### *Danish office:*

##### **VIDEX DANMARK**

Hammershusgade 15  
DK-2100 COPENHAGEN  
Phone: (+45) 39 29 80 00  
Fax: (+45) 39 27 77 75  
www.videx.dk  
videx@videx.dk

#### *Benelux office:*

##### **VIDEX BENELUX**

E3 laan, 93  
B-9800 DEINZE  
Phone: (+32) 9 380 40 20  
Fax: (+32) 9 380 40 25  
www.videxbenelux.be  
info@videxbenelux.be



The product is CE marked demonstrating its conformity and is for distribution within all member states of the EU with no restrictions. This product follows the provisions of the European Directives 2014/30/EU (EMC); 2014/35/EU (LVD); 2011/65/EU (RoHS); CE marking 93/68/EEC.