

6.2: VIGILON FIRE DETECTION AND ALARM SYSTEM

Sensor Sounders

GENT
by Honeywell



Optical/Heat Sounder

Repeat Sounder

Repeats adjacent sounder operations. Ideal for en-suite shower applications in hotels.

Optical Heat Sensor Sounder

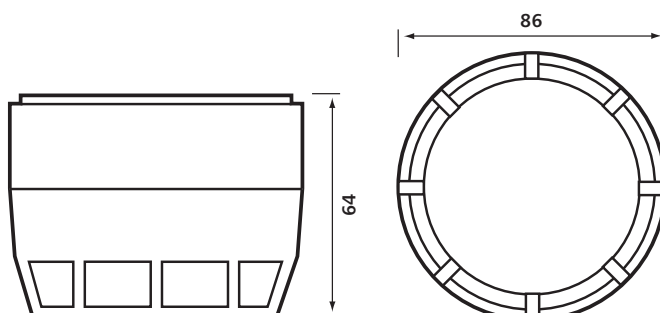
Combines optical heat detection with an 85dB(A) sounder.

Heat Sensor Sounder

Combines heat detection with an 85dB(A) sounder.

TECHNICAL SPECIFICATION			
Type	Repeat Sounder	Optical Heat Sensor Sounder	Heat Sensor Sounder
Max Quantity per Loop		125	
Approx Weight		0.6Kg	
Operating Temperature		0°C to +50°C	
Ingress Protection	IP30	IP20	IP20
Relevant Standards		BS 5839: Part 1	
Sound Output at 1m		85dB(A)	
Device Load Factor		8	
Approvals	-	LPCB	LPCB

Dimensions (mm)



ORDER CODES

Optical Heat Sensor Sounder	34770
Heat Sensor Sounder	34780
Repeat Sounder	34777