

GENT

by Honeywell

6.2: VIGILON FIRE DETECTION AND ALARM SYSTEM

Sensors

Vigilon has a range of low profile addressable devices to suit different applications.

Heat Sensor – for steamy and dusty environments e.g. boiler rooms, kitchens and laundries.

Optical/Heat – detects smoke from a slow burning fire and/or heat from an intense fire producing little smoke.



Optical Heat Sensor

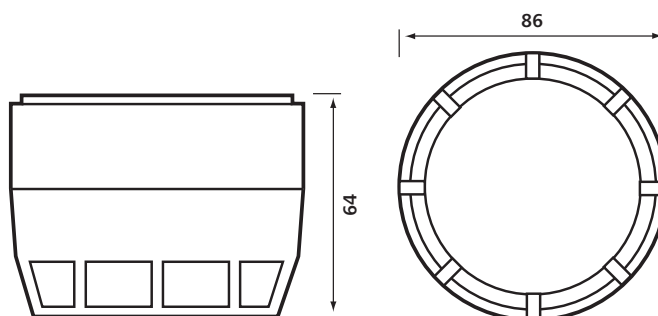
TECHNICAL SPECIFICATION		
Type	Heat	Optical/Heat
Max Quantity per Loop	200	200
Approx Weight	0.175 Kg / 0.58 Kg including terminal plate	
Ingress Protection	IP42	IP20
Relevant Standard	BS 5445: Parts 5 & 7	
Ambient Temperature	0°C to +45°C	0°C to +50°C (If only heat used 0° to +45°C)
Device Load Factor	1	
Approvals	LPCB	

Note: All Vigilon sensors require a terminal plate, 34700.

All sensors (except beam) are supplied with a dust cover to prevent contamination during installation.



Dimensions (mm)



ORDER CODES	
Heat	34720
Optical/Heat	34710