

Standard DIN 26404 Four Channel, 7 Day Time Switch



Benefits

A general purpose timer that it is ideal for multi channel applications where independent control of individual circuits are required. The key programming feature enables away from site programming and uniform programming of multiple locations. Text based menu system and self explanatory symbols displayed on a large, back-lit dot matrix area to provide two high resolution text lines. Pulse programming allows you to set small bursts (e.g. school bells) in 1 second steps. The 26404 can be extremely quick and easy to program, it can be programmed with supply disconnected and has the ability to program via your computer using Sangamo's optional Easy Vue software and USB link (25195 - not supplied) and backed up or transferred via a programming key (25193 - not supplied).

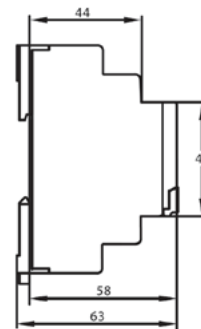
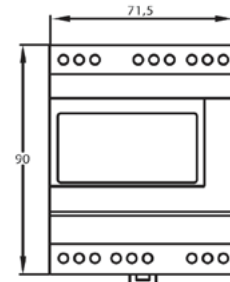
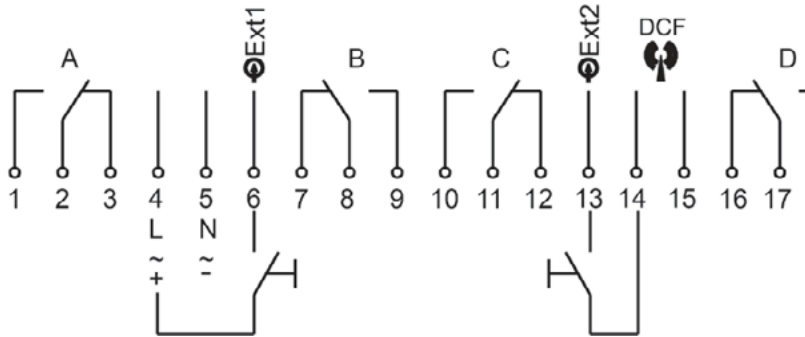
Features

- 4 channels
- Daily and weekly program
- 300 memory locations
- Manual override/permanent override
- 10 years battery reserve
- Minimum interval 1 min.
- Switching capacity 10A
- Permanent by date
- Manual override
- Automatic sorting of switching times on readout
- Unrestricted block programming
- Fully automatic daylight saving time
- Elapsed time and pulse counter
- Pulse function
- Cycle function
- Timer function
- Channel button function
- DCF function (with additional accessory)
- Security by PIN-code
- Illuminated display
- Data-key function (with 25193)
- Unlimited program security by E²-PROM
- Programmable by PC

Technical Data

Supply voltage	230 V, 50-60 Hz
Power consumption (real power)	1.2- 3.2 W (depending on the switching status)
Channel (potential-free)	Change-over, contact gap <3mm(μ)
Voltage free changeover contacts	4 x 16 (6) A
Contact material	AgSnO2
Switching capacity	16A / 250 V ~ at cos = 1 6A with inductive load cos = 0.6
Min. switching power	1000 mW (10 V/10 mA)
Max. starting current	50 A
Switching functions	ON, OFF; Pulse, cycle
Pulse length - Pulse function (switching time)	00:01 up to 59.59 mm:ss
Pulse length - Timer (man. switching)	0:00:01 up to 9:59:59 h:mm:ss
Memory Locations	300
Minimum interval	1 min
Time Base	Quartz crystal or DCF
Power back-up (at 20°C)	approx. 10 years
Quartz cryst. accuracy (at 20°C)	<= 0.5 sec/day
Permitted ambient temperature	-30°C to +55°C
Enclosure	self-extinguishing thermoplastic
Distribution board mounting	35 mm DIN-rail (DIN EN 60715)
Type of protection	IP20 to DIN EN 60529
Class of protection	II when installed according to regulations

Electrical Connections



Contact Us: 01475 745131

CUSTOMER CARE POLICY

As part of Sangamo's continuous improvement program, the Company operates a Customer Care Policy. This means that we welcome your comments and complaints, as it can only help us to improve our services to you, our customer.



Sangamo Limited, Industrial Estate, Port Glasgow,
Renfrewshire PA14 5XG

Tel: 01475 745131 Fax: 01475 744567

Email : enquiries@sangamo.co.uk Web: www.sangamo.co.uk