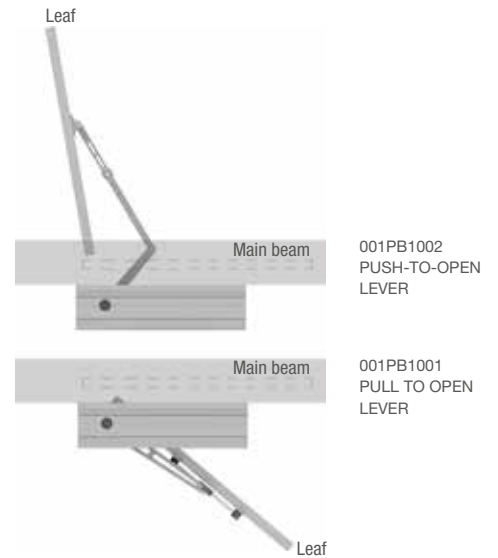
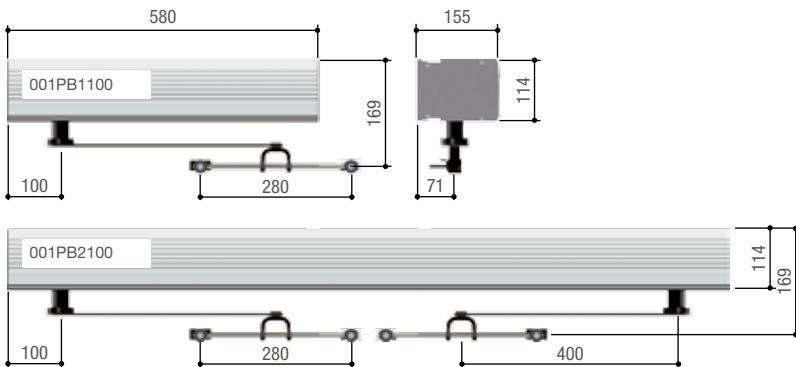




## Ideal solution for swing doors

- A safe and secure solution to regulate pedestrian passage flows.
- Easy to install, it is ideal for operating swing leaf doors in populated facilities: hospitals, airports, public administration offices.
- The installation is safe thanks to the 24 V DC technology.
- Manoeuvre and slowdown speed adjustment.
- Electronic obstacle detection.

### Dimensions (mm)



### Limits to use

MODEL	PB1100		
Max leaf length (m)	1.2	1	0.8
Max leaf weight (kg)	150	200	250
MODEL	PB2100		
Max leaf length (m)	1.2 + 1.2	1 + 1	0.8 + 0.8
Max leaf weight (kg)	150 + 150	200 + 200	250 + 250

### Beam dimensions (only for PB2100)



ARMS MODELS	PB1001	PB1002
Min beam length T (mm)	1,160	1,160
Max beam length T (mm)	5,000	5,000

### Technical features

MODELS	PB1100	PB2100
Power supply (V - 50/60 Hz)	230 AC	230 AC
Motor power supply (V)	24 DC	24 DC
Current draw (A)	0.6	1.2
Power (W)	138	276
Manoeuvre time 90° (s)	2 ÷ 5	2 ÷ 5
Duty cycle (%)	INTENSIVE SERVICE	INTENSIVE SERVICE
Torque (Nm)	40	40
Operating temperature (°C)	-20 ÷ +55	-20 ÷ +55

# THE COMPLETE RANGE



Code	Description	Price £ (Excl. VAT)
<b>Complete operators with 24 V DC operator.</b>		
001 <b>PB1100</b> 	Operator for one-leaf swing door.	£830.00
001 <b>PB2100</b> 	Operator for two-leaf swing doors (without profile cover).	£1,638.00
<b>Completing accessories: profiles and carters</b>		
001 <b>PF2100</b>	Profile cover for PB2100	£151.00 per m
<b>Accessories</b>		
001 <b>PB1001</b>	Straight transmission-arm for "PULL" opening.	£96.00
001 <b>PB1002</b>	Articulated transmission-arm for "PUSH" opening	£122.00
001 <b>MA7034</b>	Anti-panic system complete with two 12 V -0.8 Ah batteries.	£147.00
001 <b>MA7041</b>	Function selector switch	£58.00
<b>Customised treatments</b>		
119 <b>COLOR12</b>	Extra treatment.	£POA



## NOTES

119COLOR12 Only for: 001PF2100

The painting treatments (with prior oxidation treatment of the anodised profile) are done upon specific request of the customer.

Delivery will take place a min 30 days after we have received the order.

The painting treatment is done with gloss or matt RAL colours.

## WARNING:

The cost for the oxidation treatment can be rated only considering the quantity of material to treat.